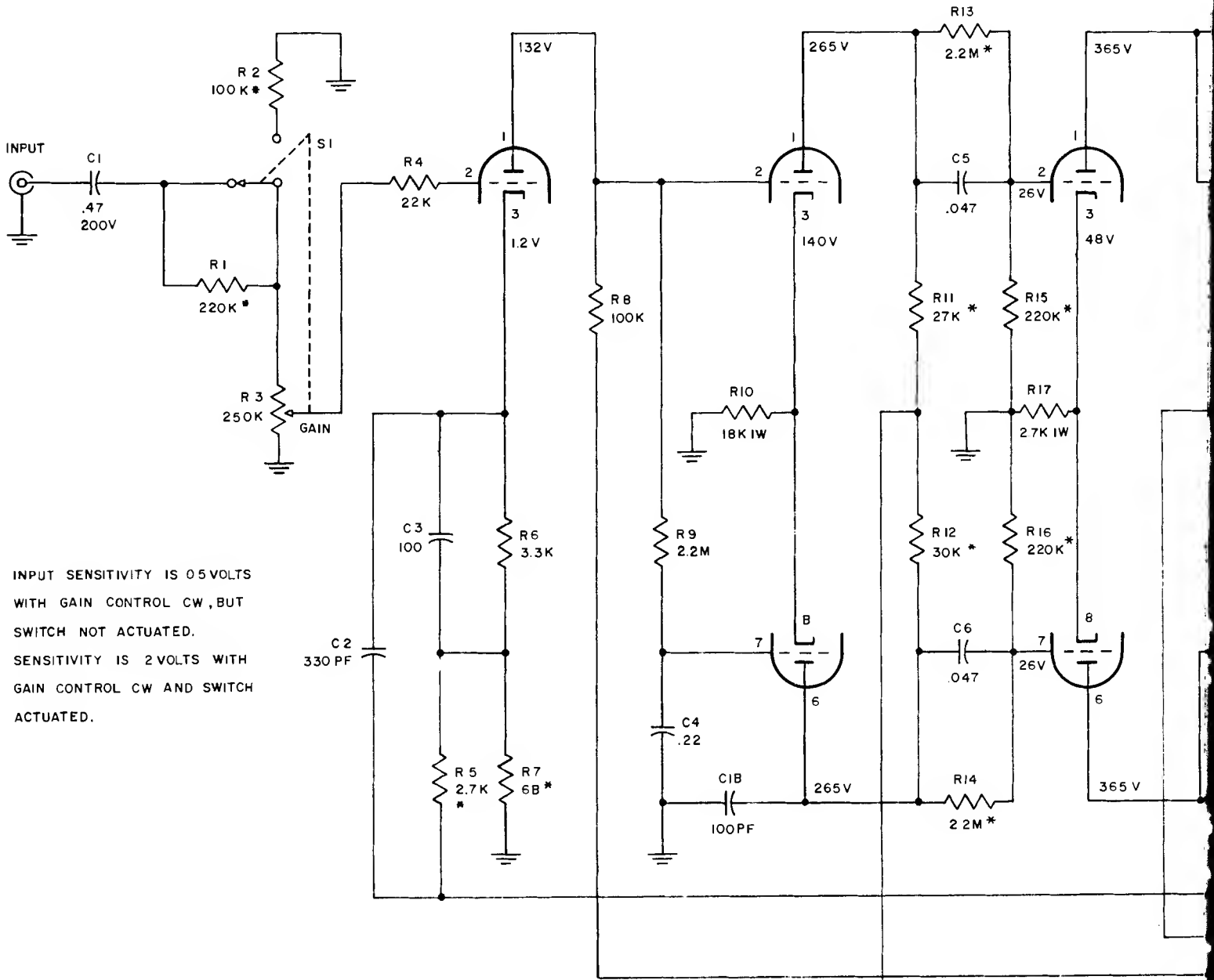


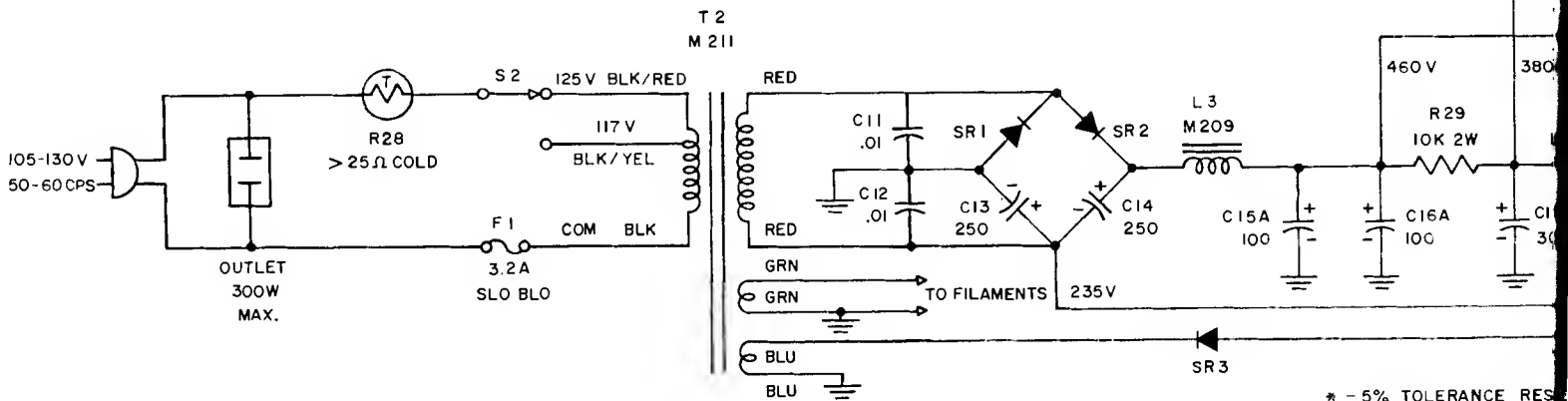
V1-A
1/2 12AX7

V2
12AU7

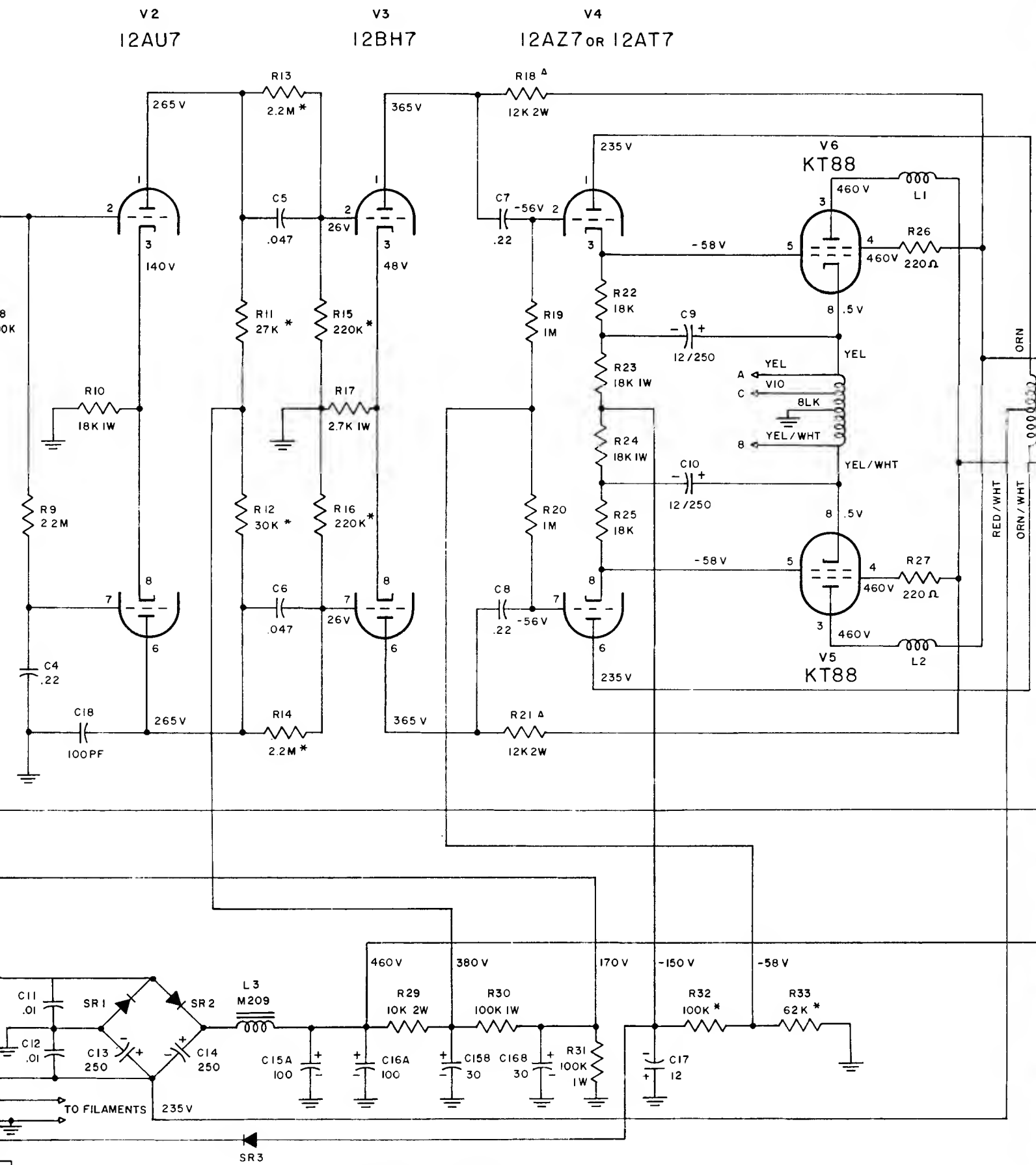
V3
12BH7



INPUT SENSITIVITY IS 0.5 VOLTS
WITH GAIN CONTROL CW, BUT
SWITCH NOT ACTUATED.
SENSITIVITY IS 2 VOLTS WITH
GAIN CONTROL CW AND SWITCH
ACTUATED.



* - 5% TOLERANCE RES
Δ - R18 AND R21 MATCHED
SR1 AND SR2 = SILICON
SR3 = SELENIUM RECTIF



* - 5% TOLERANCE RESISTORS

Δ - R18 AND R21 MATCHED WITHIN 1%

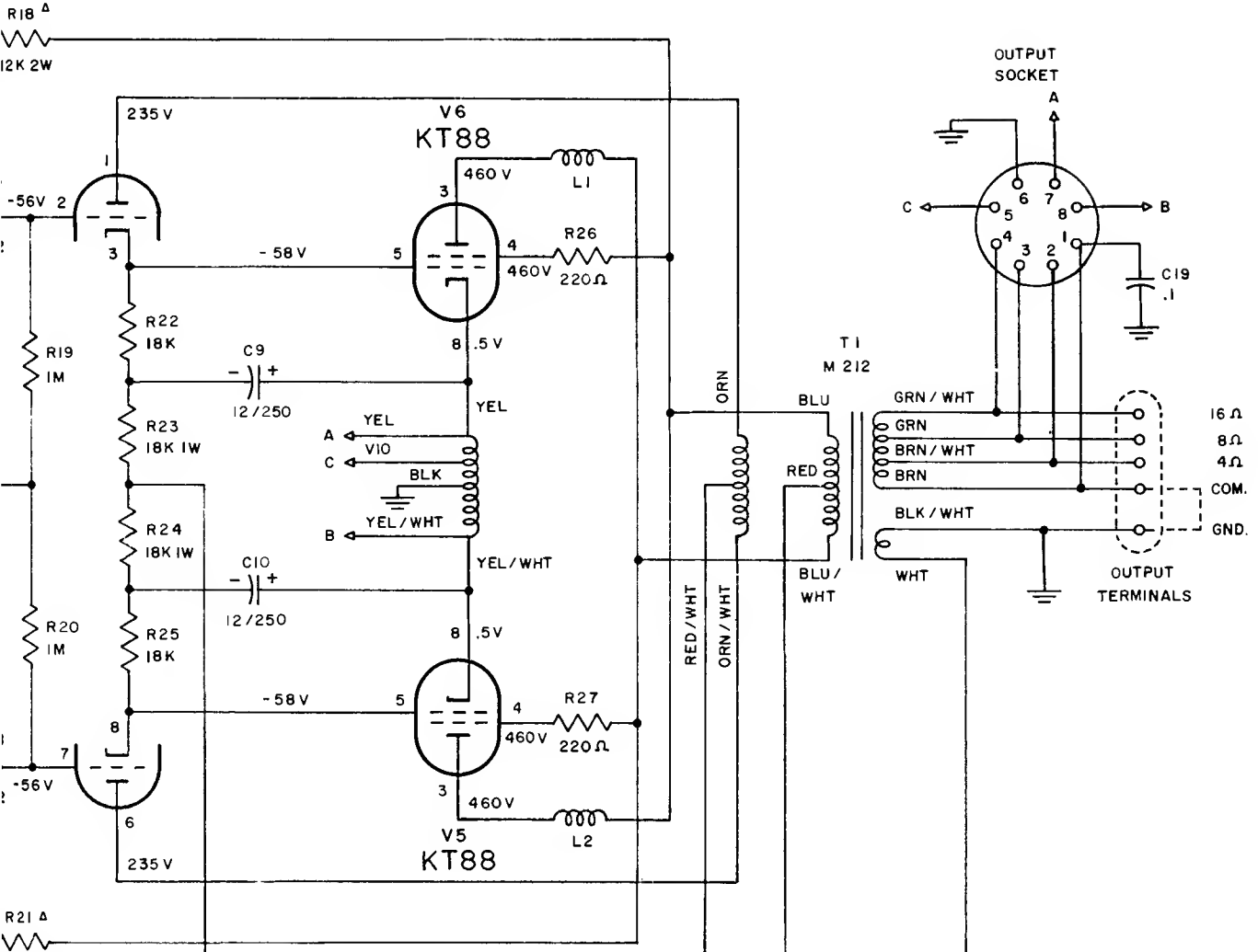
SR1 AND SR2 = SILICON RECTIFIERS, 600 PIV @ 500MA

SR3 = SELENIUM RECTIFIER, 400 PIV @ 65 MA

132

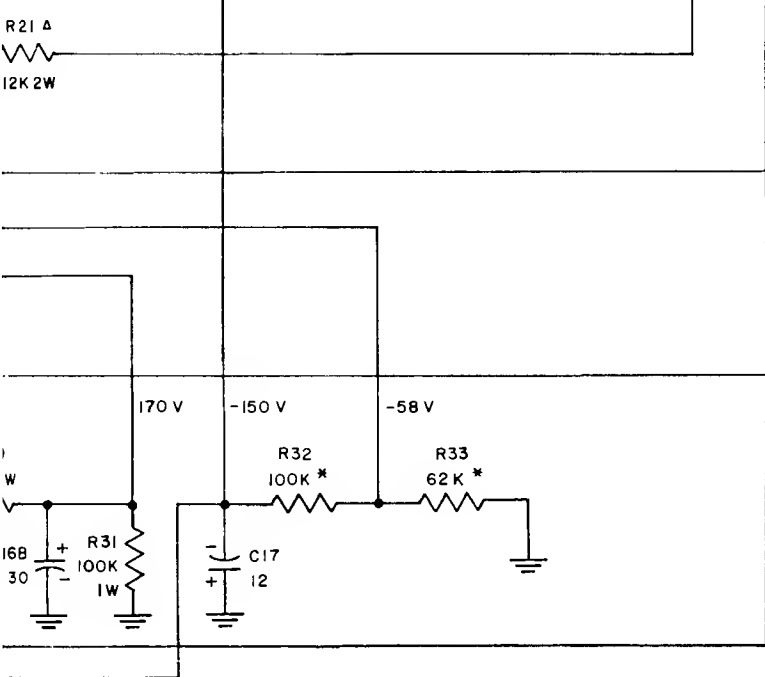
REV	C N	REVISION	DATE	BY	CHKD	APPD
A						
B						
C						

V4
12AZ7 OR 12AT7



OUTPUT SOCKET CONNECTIONS

IMPEDANCE (OHMS)	CONNECT TO
4	1 AND 2
8	1 AND 3
16	1 AND 4
67	5 AND 6
150	6 AND 7
600	7 AND 8
VOLTAGE (VOLTS)	CONNECT TO
25	1 AND 3
70.7	5 AND 6
120	6 AND 7
240	7 AND 8



S
MIN 1%
TUBES, 600 PIV @ 500MA
400 PIV @ 65 MA

MATERIAL	TITLE	PART NO
	MC75 SCHEMATIC	
FINISH	McIntosh LABORATORY INC 7 Chambers St. - Long Island City, N.Y.	USED ON
TOLERANCES - Unless otherwise specified: Resistors - 1% Angles - 90° Dimensions - .005	SCALE DRAWN BY CHK A.D.C. 65	DATE 12-5-63 DWG NO SC122 D157 REV