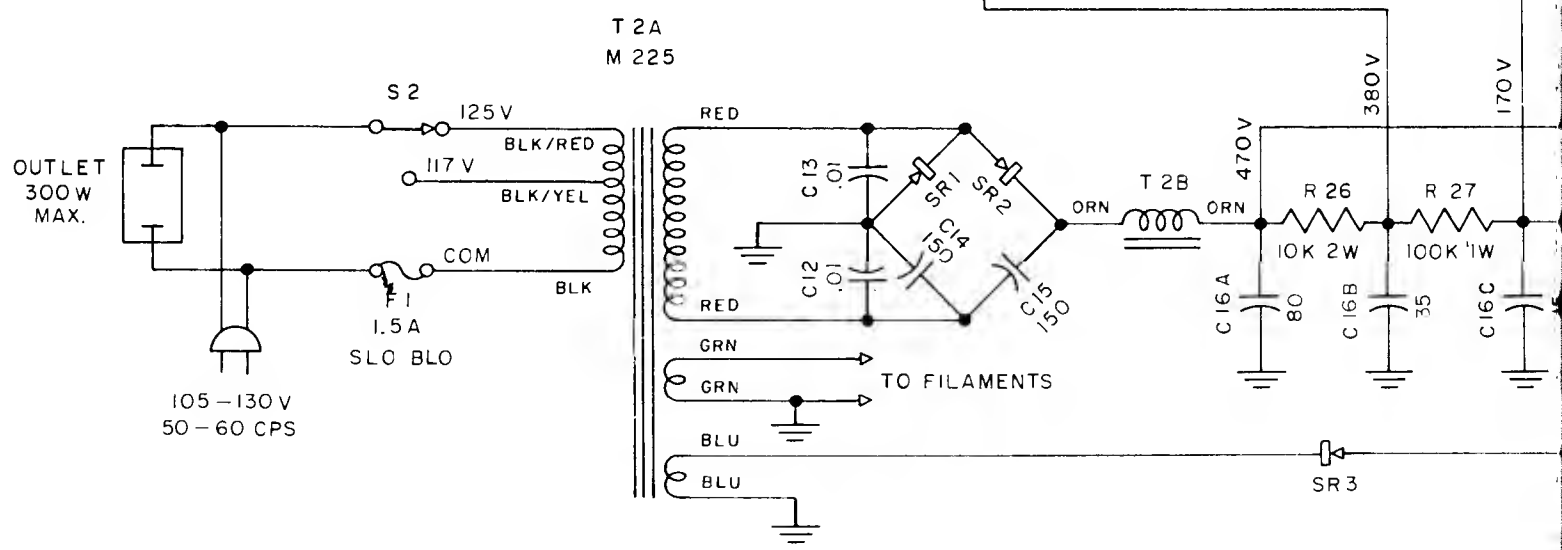


INPUT SENSITIVITY IS 0.5 VOLTS WITH GAIN CONTROL CW, BUT SWITCH NOT ACTUATED.  
 SENSITIVITY IS 2 VOLTS WITH GAIN CONTROL CW AND SWITCH ACTUATED.

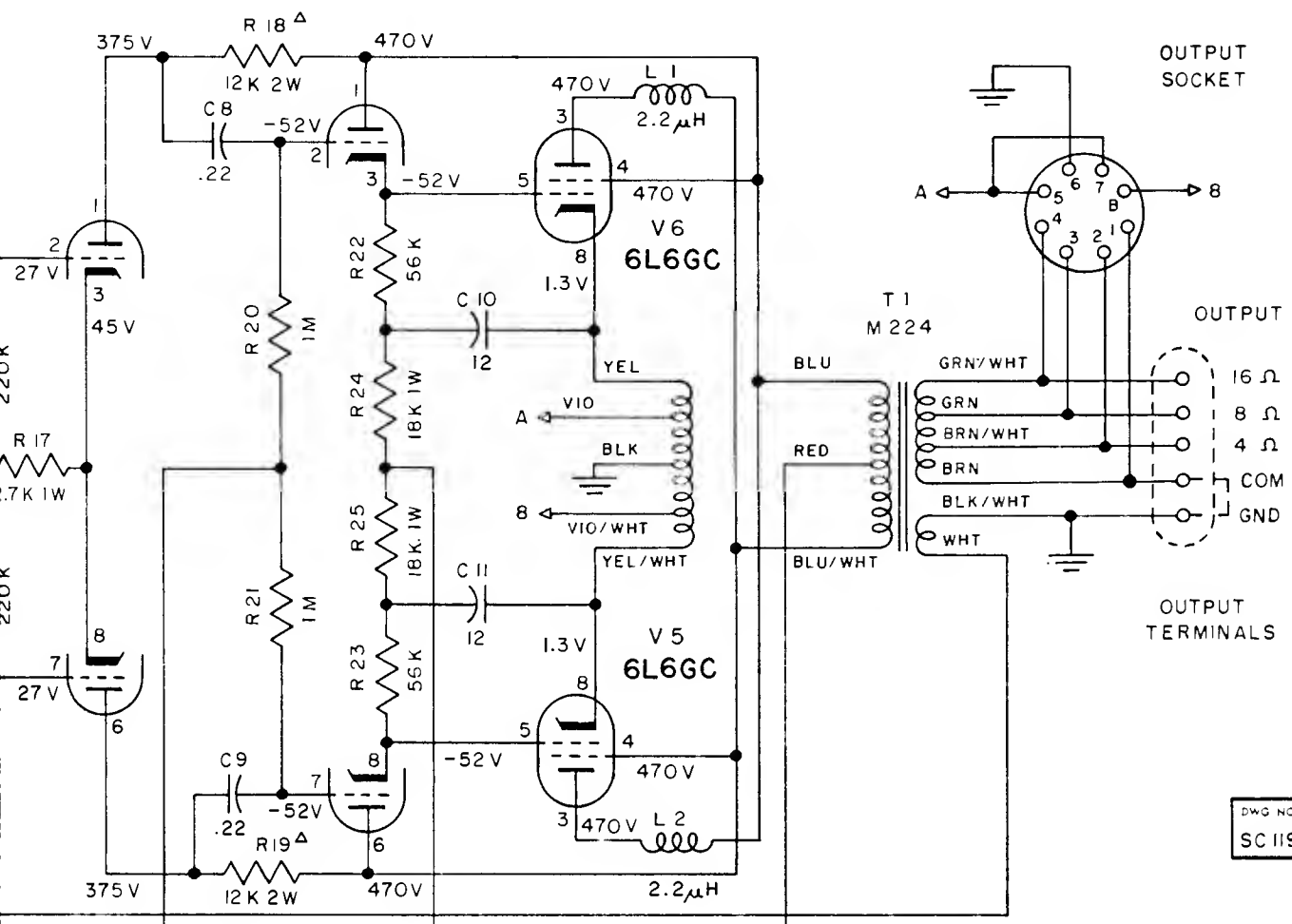


- \* 5% TOLERANCE RESISTORS
- △ R18 AND R19 MATCHED WITHIN 1%
- SR1 AND SR2 = SILICON RECTIFIERS, 600 PIV
- SR3 = SELENIUM RECTIFIER, 400 PIV @ 65 MA

REV	C N	REVISION	DATE	BY	CHKD	APPD
A						
B						
C						

V 3  
12BH7

V 4  
12AX7



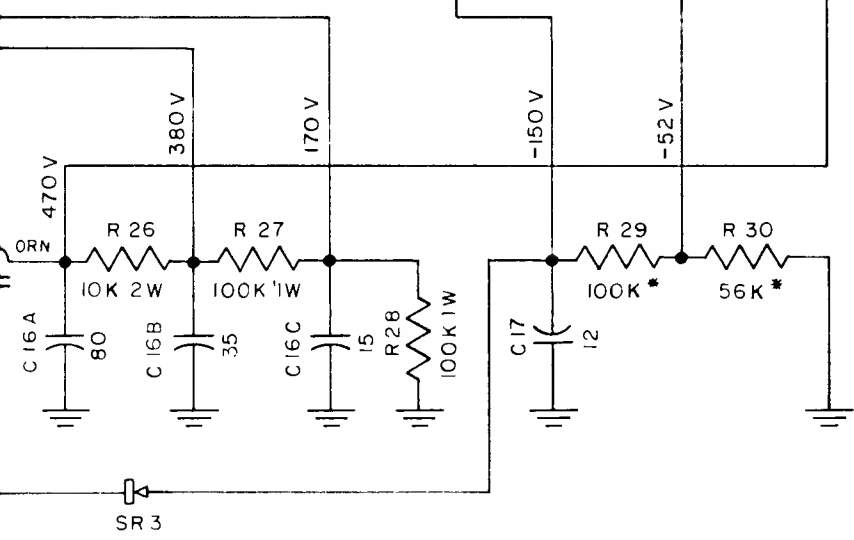
DWG NO  
SC 119-115

REV  
B

OUTPUT SOCKET CONNECTIONS

IMPEDANCE (OHMS)	CONNECT TO
4	1 AND 2
8	1 AND 3
16	1 AND 4
125	5 AND 6
150	6 AND 7
600 (BAL)	7 AND 8
VOLTAGE (VOLTS)	CONNECT TO
25	1 AND 4
70.7	5 AND 6

NOTE PIN 6 IS GROUND



PRECISION RESISTORS  
MATCHED WITHIN 1%  
SILICON RECTIFIERS, 600 PIV @ 500 MA  
DIODE RECTIFIER, 400 PIV @ 65 MA

MATERIAL	TITLE	PART NO
	<b>SCHEMATIC, MC 40</b>	
FINISH	McIntosh LABORATORY INC 2 Chambers St. Bldg 1117, N.Y.	USED ON MC 40
TOLERANCES	Unless otherwise specified Resistors: 1% Angles: 0.005 in. 0.005 in. 0.005 in.	DWG NO SC 119-115
	SCALE: DRN BY: VG DATE: 2.23.62	REV B
	CHKD: APPD:	