

OUTPUT SOCKET CONNECTIONS

- 4 OHMS - PINS 1 & 2
 - 8 OHMS - PINS 1 & 3
 - 16 OHMS - PINS 1 & 4
 - 600 OHMS - PINS 7 & 8
 - 70.7 VOLTS - PINS 5 & 6
- PIN 6 IS GROUND AND 600 OHM CT

PREAMP INPUT SOCKET CONNECTIONS

- PIN 1 - GROUND
- PIN 2 - PREAMP INPUT (2.5V)
- PIN 3 - NOT USED
- PIN 4 - 310V B+ AT 3.5MA
- PIN 5 - 0.5 VOLT INPUT
- PIN 6 - NOT USED
- PIN 7 & 8 - 6.3V AT 1A

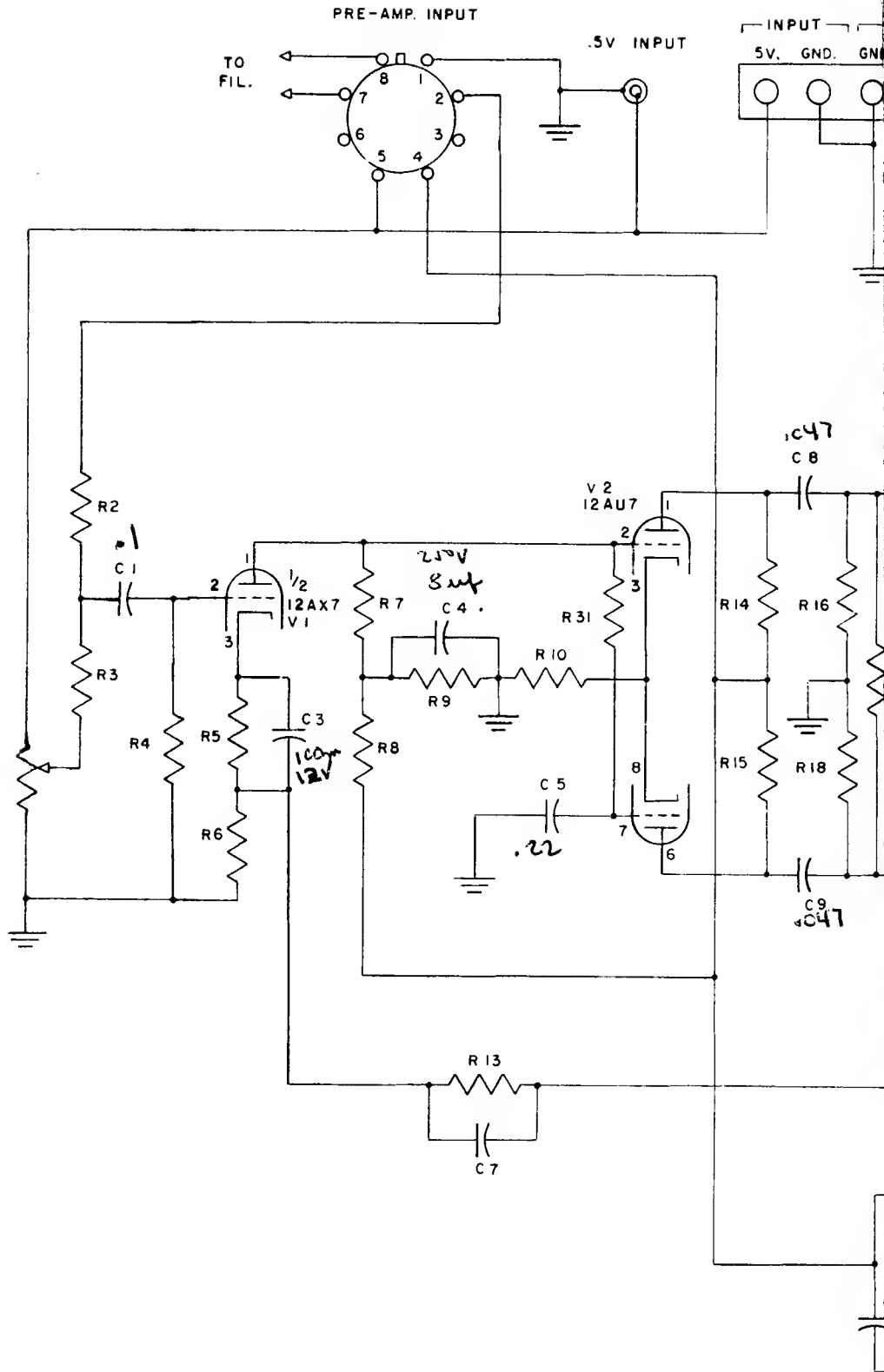
- C1 .1MF, 200V
- C2 NOT USED
- C3 100 MF, 12V
- C4 8MF, 250V
- C5 .22MF, 400V
- C6 NOT USED
- C7 470MF, 500V
- C8 .047MF, 10%, 600V
- C9 .047MF, 10%, 600V
- C10 .22MF, 600V, FILM
- C11 .22MF, 600V, FILM
- C12A 35MF, 500V
- C12B 80MF, 500V
- C13 15MF, 450V
- C14 .47MF, 200V
- C15 .47MF, 200V

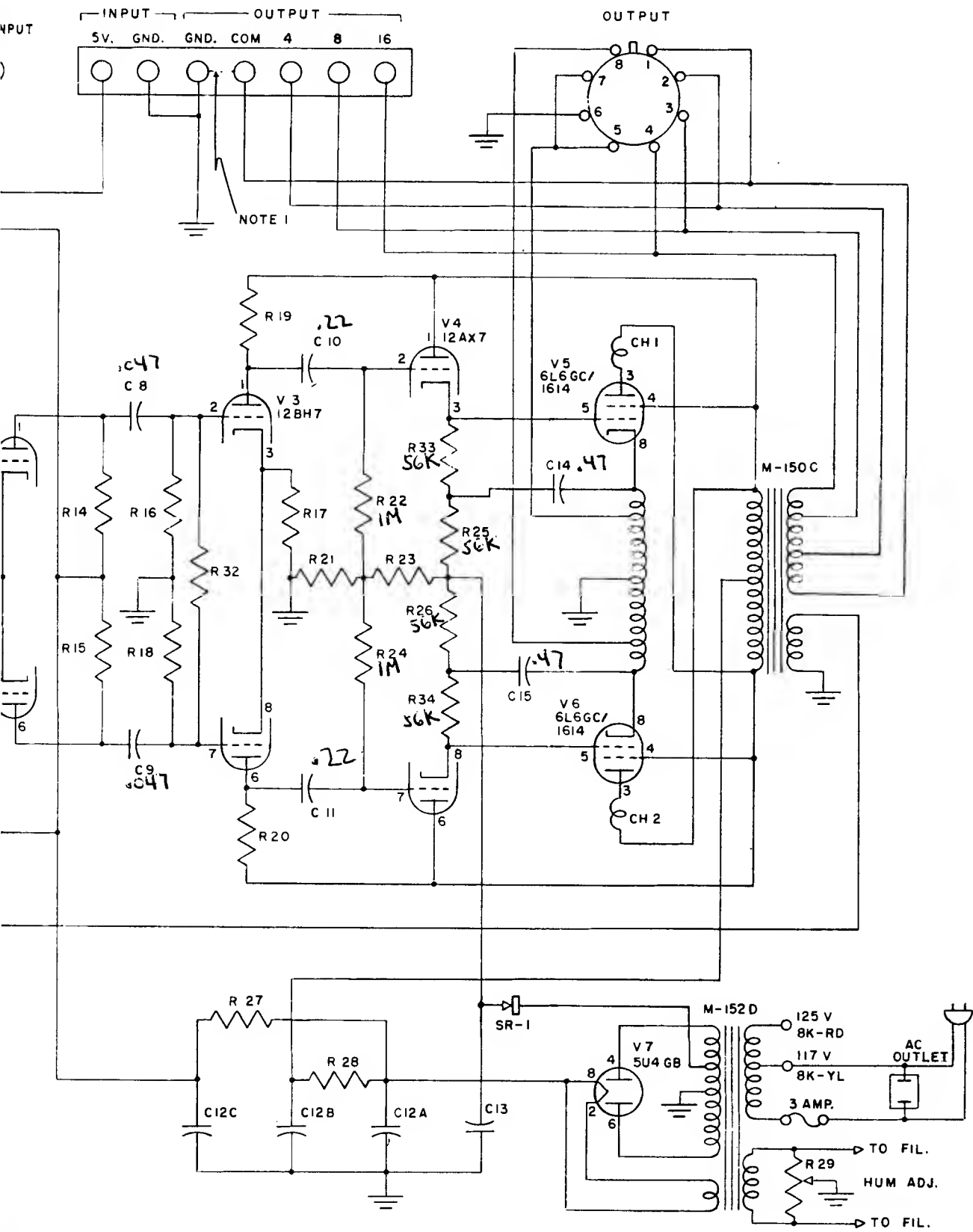
- R1 250K, LINEAR
- R2 100K
- R3 27K
- R4 1M
- R5 3.3K
- R6 68 OHMS, 5%
- R7 100K
- R8 330K
- R9 680K
- R10 18K, 1W
- R11 NOT USED
- R12 NOT USED
- R13 2.2K, 5%
- R14 27K, 5%
- R15 30K, 5%
- R16 220K
- R17 1.2K
- R18 220K
- R19 12K*, 2W
- R20 12K*, 2W
- R21 56K, 5%
- R22 1M
- R23 100K, 5%
- R24 1M
- R25 56K
- R26 56K
- R27 10K, 10W
- R28 150 OHMS, 10W
- R29 250 OHMS, LINEAR
- R30 NOT USED
- R31 2.2M
- R32 330K
- R33 56K
- R34 56K

*MATCHES TO 1%

SRI 400PIV, 10MA

NOTE 1 - THIS JUMPER STRAP MAY BE REMOVED IF UNGROUNDED LOW IMPEDANCE OUTPUTS ARE DESIRED.





NOTE 1

REVISIONS		
NO	DATE	BY
1		
2		
3		
4		
5		

MODEL MC-30, POWER AMPLIFIER		
DRAWN BY	SCALE	MATERIAL
CHK'D	DATE 3.14.60	DRAWING NO.
TRACED	APP'D	SC-111-137

Tub
12A
(Inp

12A

12B

12A

6L6GC
(Both T

5U4

VOLTAGE AND RESISTANCE CHART

Tube	Pin No.	DC Volts No Signal	DC Volts at 30W out	AC Volts at 30W out	Resistance Unit off
6AX7 (Output)	1	134	120	1.3	330K*
	2	0	0	0.24	1M
	3	1.2	1.1	0.22	3.3K
	4&5	Fil	6.3 V. ac to Pin 9	-	0 to 70
	6, 7, 8	-	-	-	-
	9	Fil	-	-	0 to 70
6AU7	1	270	235	9	40*
	2	134	120	13	330K*
	3&8	138	126	0.57	18K
	4&5	Fil	6.3 V. ac to Pin 9	-	0 to 70
	6	270	235	9	43K*
	7	110	100	0	26M*
	9	Fil	-	-	0 to 70
	6BH7	1	355	295	132
2		0	0	9	220K
3&8		16	14	0.32	1.2K
4&5		Fil	6.3 V. ac to Pin 9	-	0 to 70
6		355	295	132	12K*
7		0	0	9	220K
9		Fil	-	-	0 to 70
6AX7	1	440	365	94	185*
	2	-46	-46	134	1M
	3	-45	-45	118	270K
	4&5	Fil	6.3 V. ac to Pin 9	-	0 to 70
	6	440	365	94	185*
	7	-46	-46	134	1M
	8	-45	-45	118	270K
	9	Fil	-	-	0 to 70
	6C/1614 (Tubes)	1	0	0	0
2		Fil	6.3 V. ac to Pin 7	-	0 to 70
3		440	365	94	200*
4		440	365	94	200*
5		-45	-45	118	270K
6		-	-	-	-
7		Fil	-	-	0 to 70
8		1.1	2.7	94	25
6UGB	1	-	-	-	-
	2	455	400	7.9 (Ripple)	0*
	3	-	-	-	-
	4	395 AC	385 AC	385	45
	5	-	-	-	-
	6	395 AC	385 AC	385	45
	7	-	-	-	-
	8	455	400	-	0*