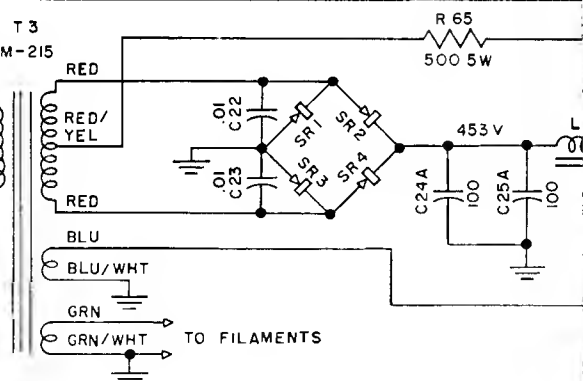
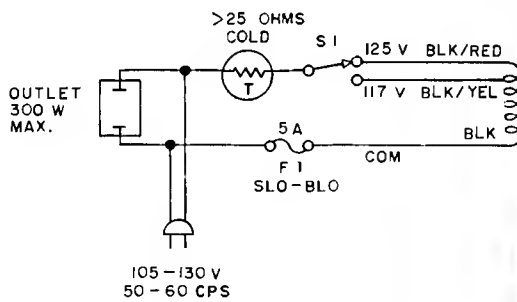
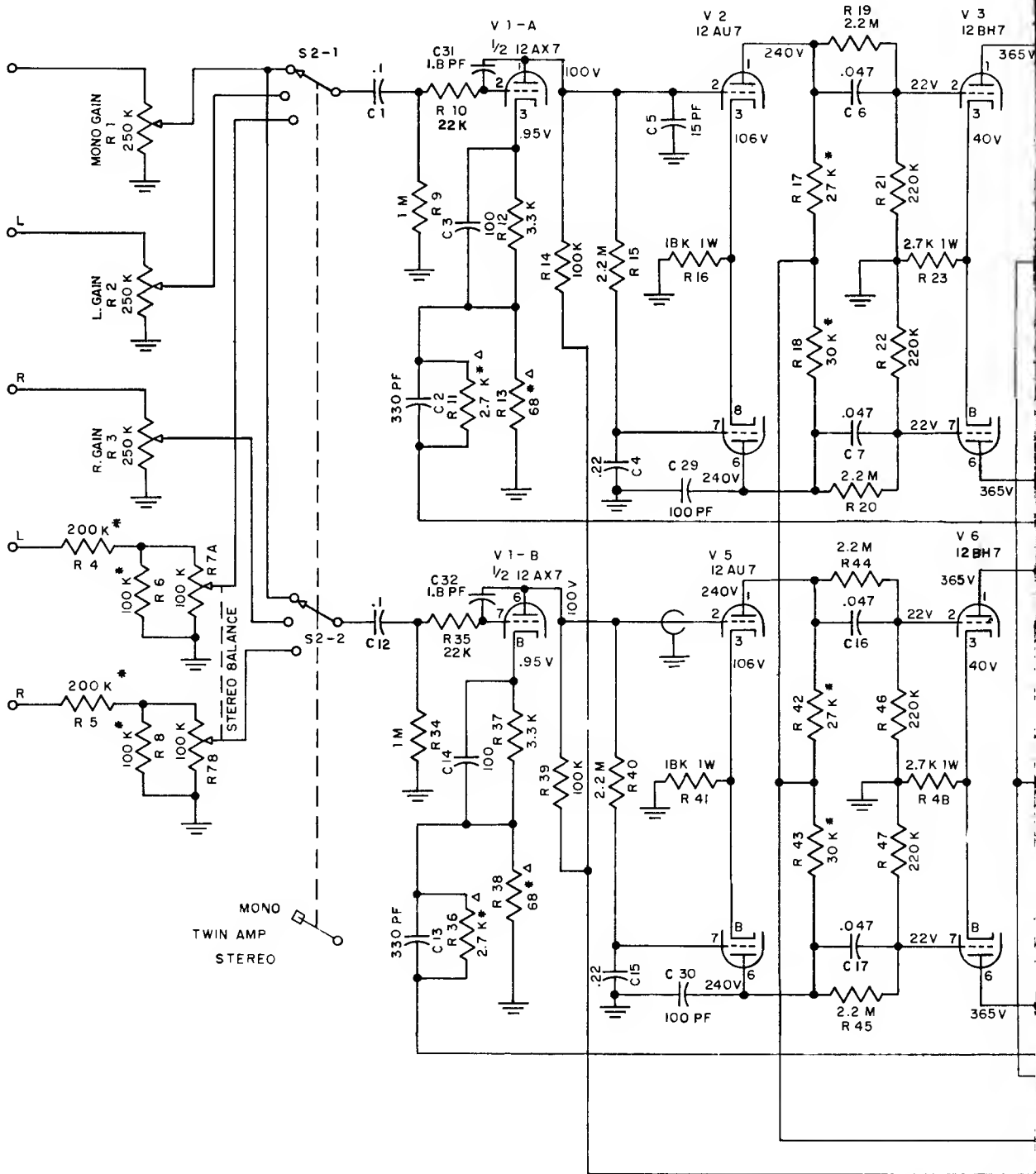
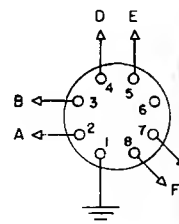
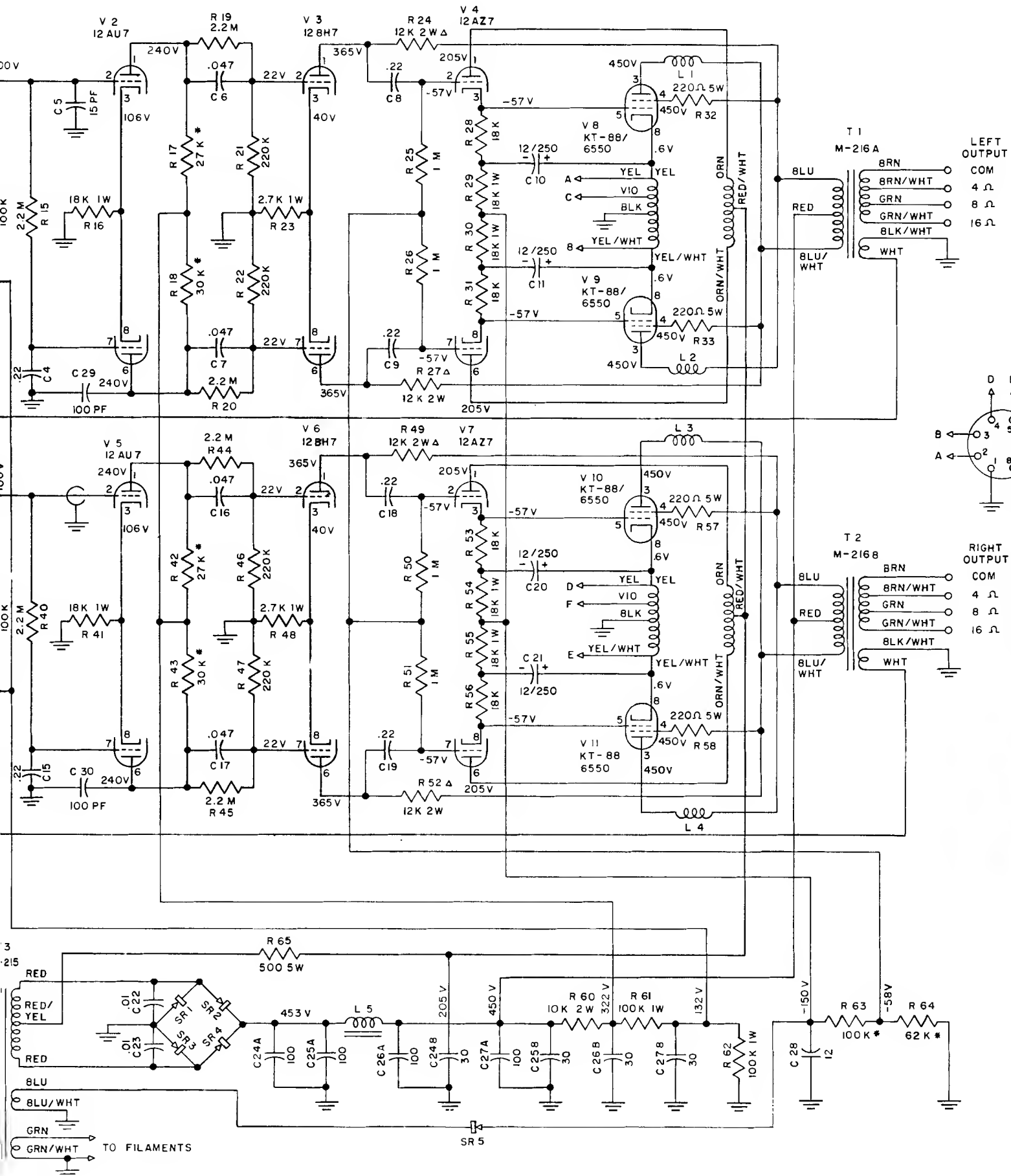


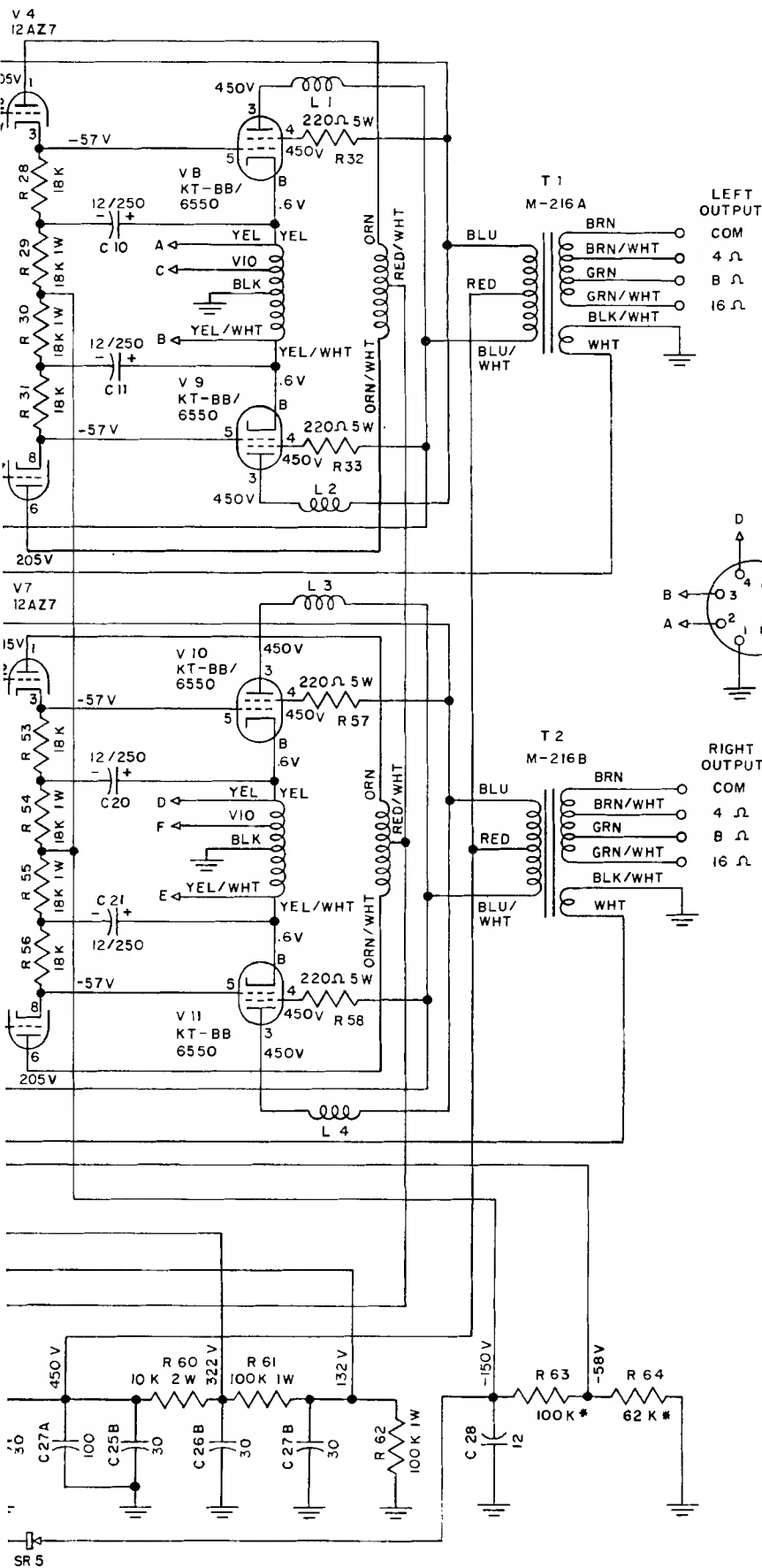
INPUTS
MONO
150 W
AMP
(.5V)

INPUTS
DUAL
75 W
AMP
(.5V)

INPUTS
STEREO
75-75 W
AMP
(2.0V)







600 Ω / 70.7 OUTPUT RECEPTACLE CONNECTIONS
 PIN 1 - GROUND, 70.7 V & 115 V RETURN, AND 600 Ω C.T.
 PINS 1 AND 7 - LEFT 70.7 V OUTPUT
 PINS 1 AND 2 - LEFT 115 V OUTPUT
 PINS 2 AND 3 - LEFT 600 Ω OUTPUT, LEFT 230V OUTPUT
 PINS 1 AND 8 - RIGHT 70.7 V OUTPUT
 PINS 1 AND 4 - RIGHT 115 V OUTPUT
 PINS 4 AND 5 - RIGHT 600 Ω OUTPUT, RIGHT 230V OUTPUT

SINGLE CHANNEL (MONO) OUTPUT NOTE

FOR SINGLE CHANNEL OUTPUT
 PARALLEL OR SERIES CONNECT
 THE L AND R OUTPUTS TO OBTAIN
 DESIRED OUTPUT IMPEDANCE.

* 5% TOLERANCE RESISTORS

Δ R 11 AND R 36, R 13 AND R 38, R 24 AND R 27,
 ALSO R 49 AND R 52 MATCHED TO 1%

1. DC MEASUREMENTS TAKEN WITH A
 VACUUM TUBE VOLTMETER

2. NOMINAL TOLERANCE ON COMPONENT
 VALUES MAKES POSSIBLE A VARIATION
 OF $\pm 15\%$ IN VOLTAGE AND RESISTANCE
 READINGS.

REVISIONS		
NO.	DATE	BY
SCHEMATIC, MC-275		
DRAWN BY	SCALE	MATERIAL
CHK'D	DATE 4.18 61	DRAWING NO.
TRACED	APP'D	SC125-109 F.