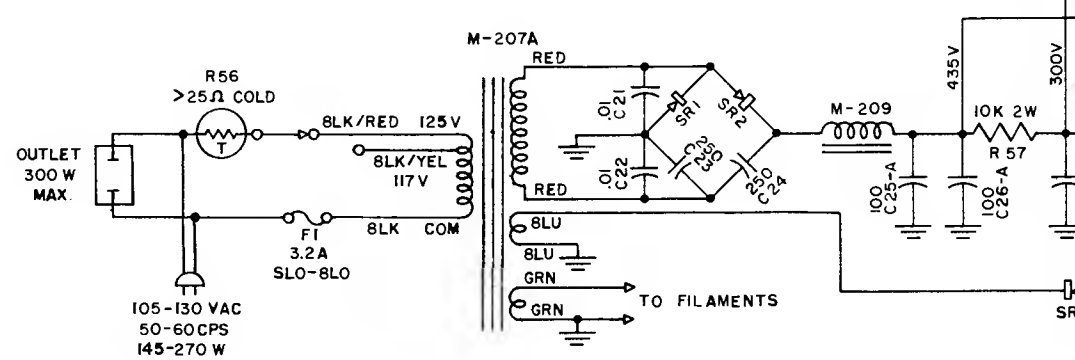
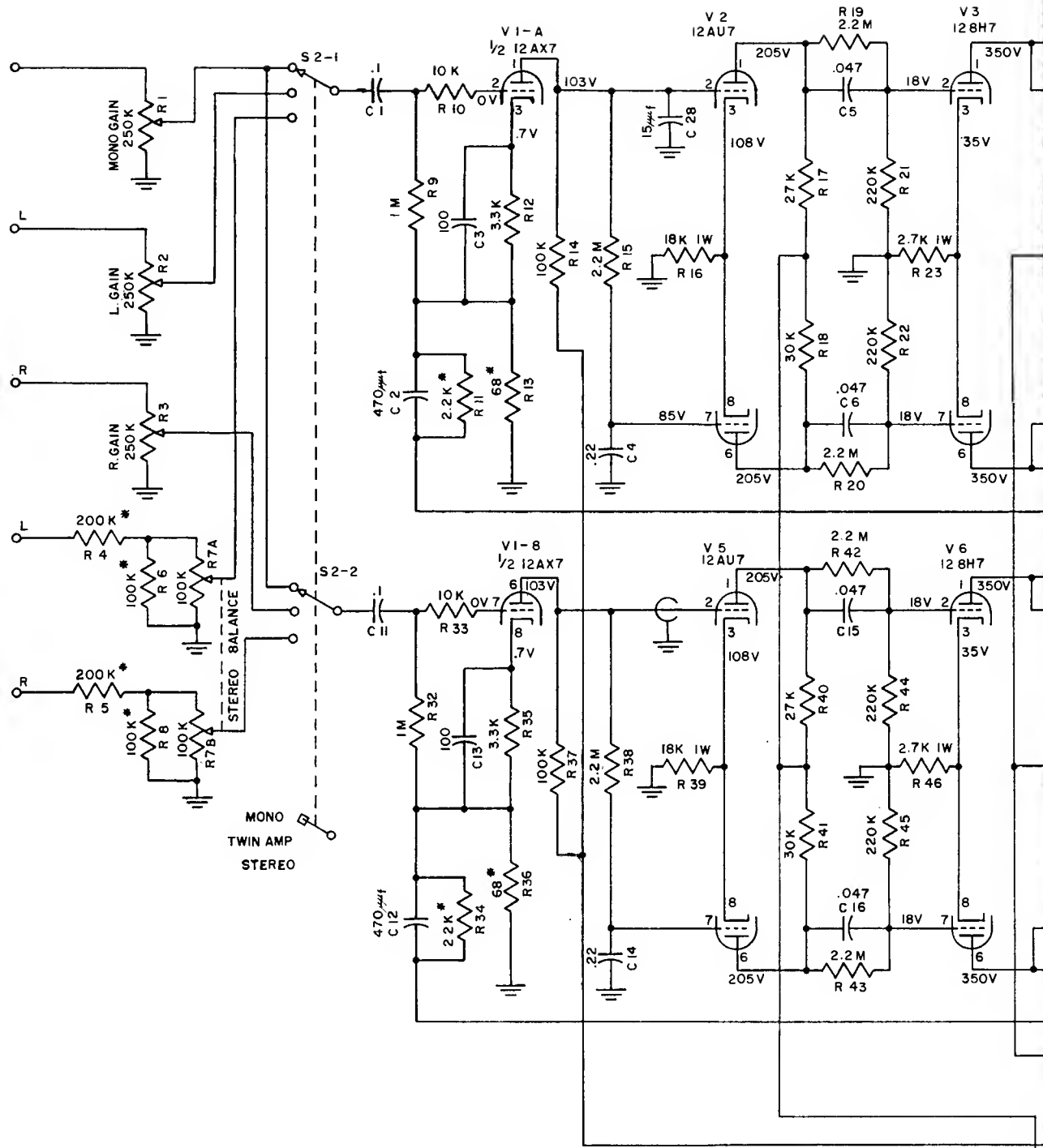


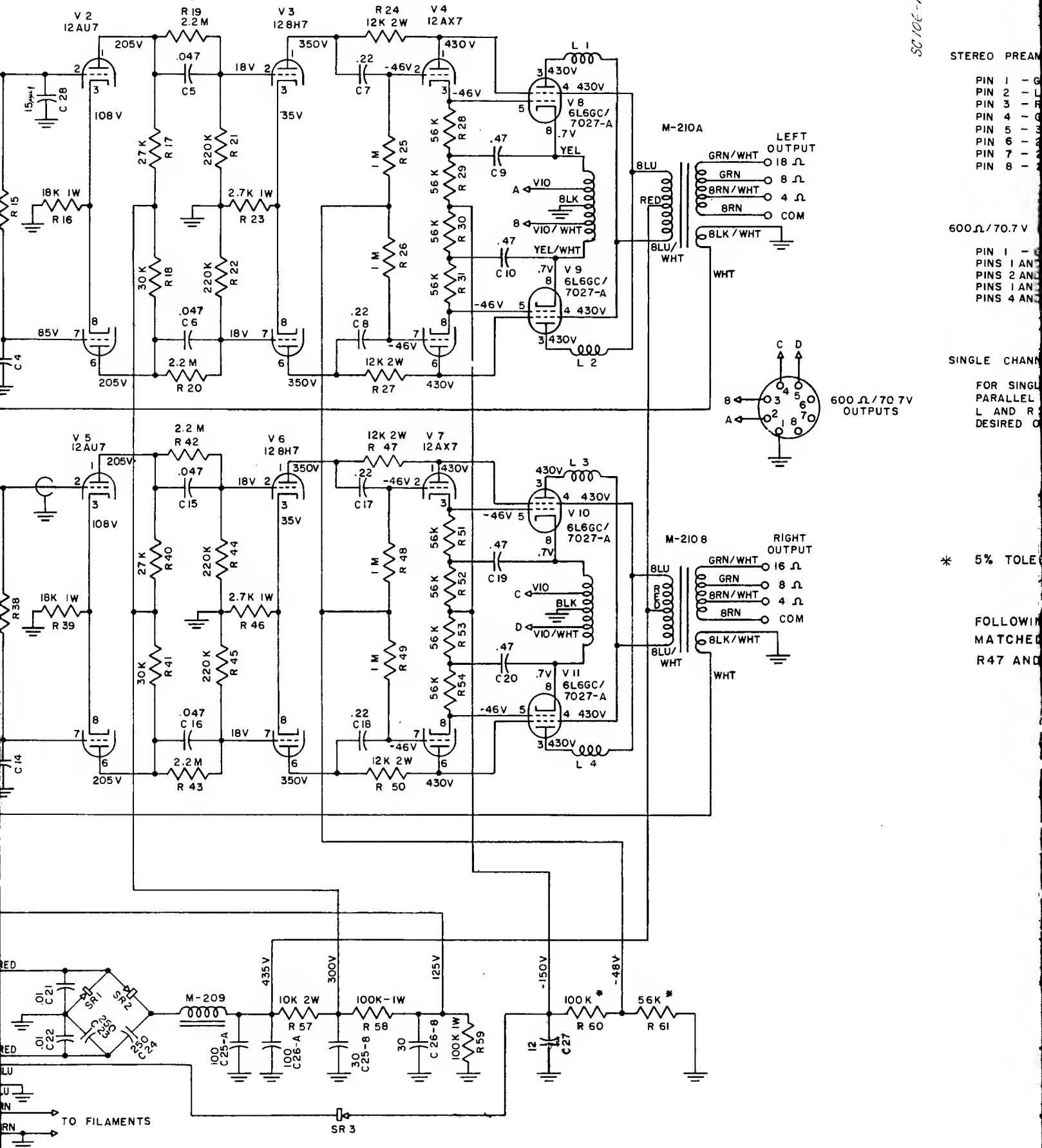
INPUTS
MONO
80 W
AMP
(.5 V SENS.)

INPUTS
DUAL
40 W
AMP
(.5 V SENS.)

INPUTS
STEREO
40-40 W
AMP
(2 V SENS.)



SC 100-161F



STEREO PREAMP
 PIN 1 - GND
 PIN 2 - L
 PIN 3 - R
 PIN 4 - 0
 PIN 5 - 3
 PIN 6 - 2
 PIN 7 - 1
 PIN 8 - 4

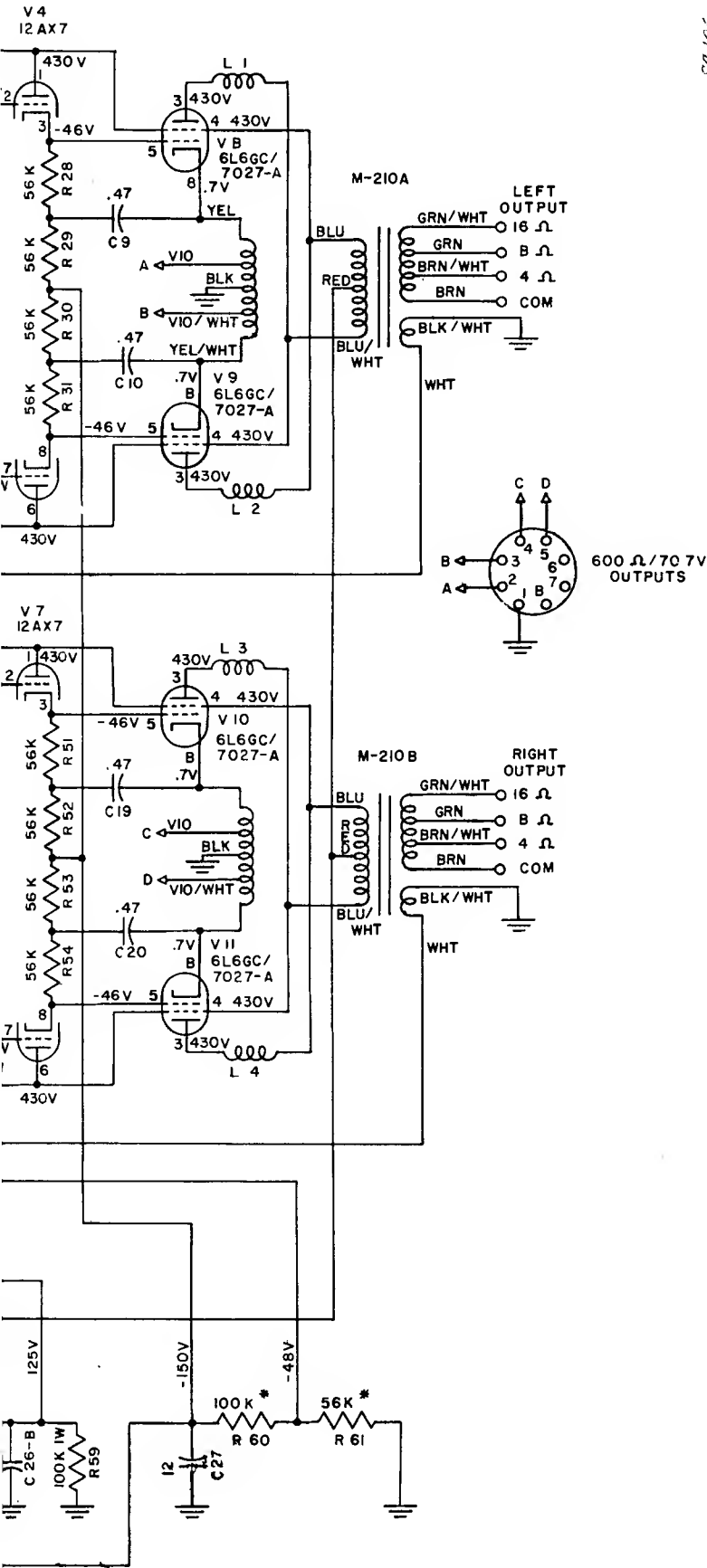
600Ω/70.7V
 PIN 1 - GND
 PINS 1 AND 2
 PINS 1 AND 3
 PINS 1 AND 4

SINGLE CHANNEL
 FOR SINGLE
 PARALLEL
 L AND R
 DESIRED

* 5% TOLERANCE

FOLLOWING
 MATCHED
 R47 AND

SC 102-161F



STEREO PREAMP POWER CONNECTIONS

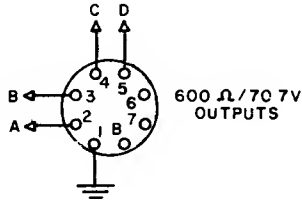
- PIN 1 - GROUND
- PIN 2 - L INPUT
- PIN 3 - R INPUT
- PIN 4 - GROUND
- PIN 5 - 375 V DC AT 15MA
- PIN 6 - 25.2V AT 1.2A
- PIN 7 - 25.2V CENTER TAP
- PIN B - 25.2V AT 1.2A

600Ω/70.7V OUTPUT CONNECTIONS

- PIN 1 - GROUND, 70.7 V RETURN, AND 600 Ω C.T.
- PINS 1 AND 2 - LEFT 70.7 V OUTPUT
- PINS 2 AND 3 - LEFT 600 Ω OUTPUT
- PINS 1 AND 4 - RIGHT 70.7 V OUTPUT
- PINS 4 AND 5 - RIGHT 600 Ω OUTPUT

SINGLE CHANNEL (MONO) OUTPUT NOTE:

FOR SINGLE CHANNEL OUTPUT PARALLEL OR SERIES CONNECT THE L AND R OUTPUTS TO OBTAIN DESIRED OUTPUT IMPEDANCE.



* 5% TOLERANCE RESISTORS

FOLLOWING COMPONENTS ARE MATCHED TO 1%: R24 AND R27, R47 AND R50, R13 AND R36, R11 AND R34.

REVISIONS			MORRIS LABORATORY, INC.		
NO.	DATE	BY	BINGHAMTON, N.Y.		
1	9-26-60	TAR	SCHEMATIC, MC-240		
2	12-20-60	TAR			
3	1-3-61	TAR	DRAWN BY	VG	SCALE
4	6-30-61	TAR	CHK'D	TAR	DATE 7.13.60
5	1-24-61	TAR	TRACED	APP'D	SAC