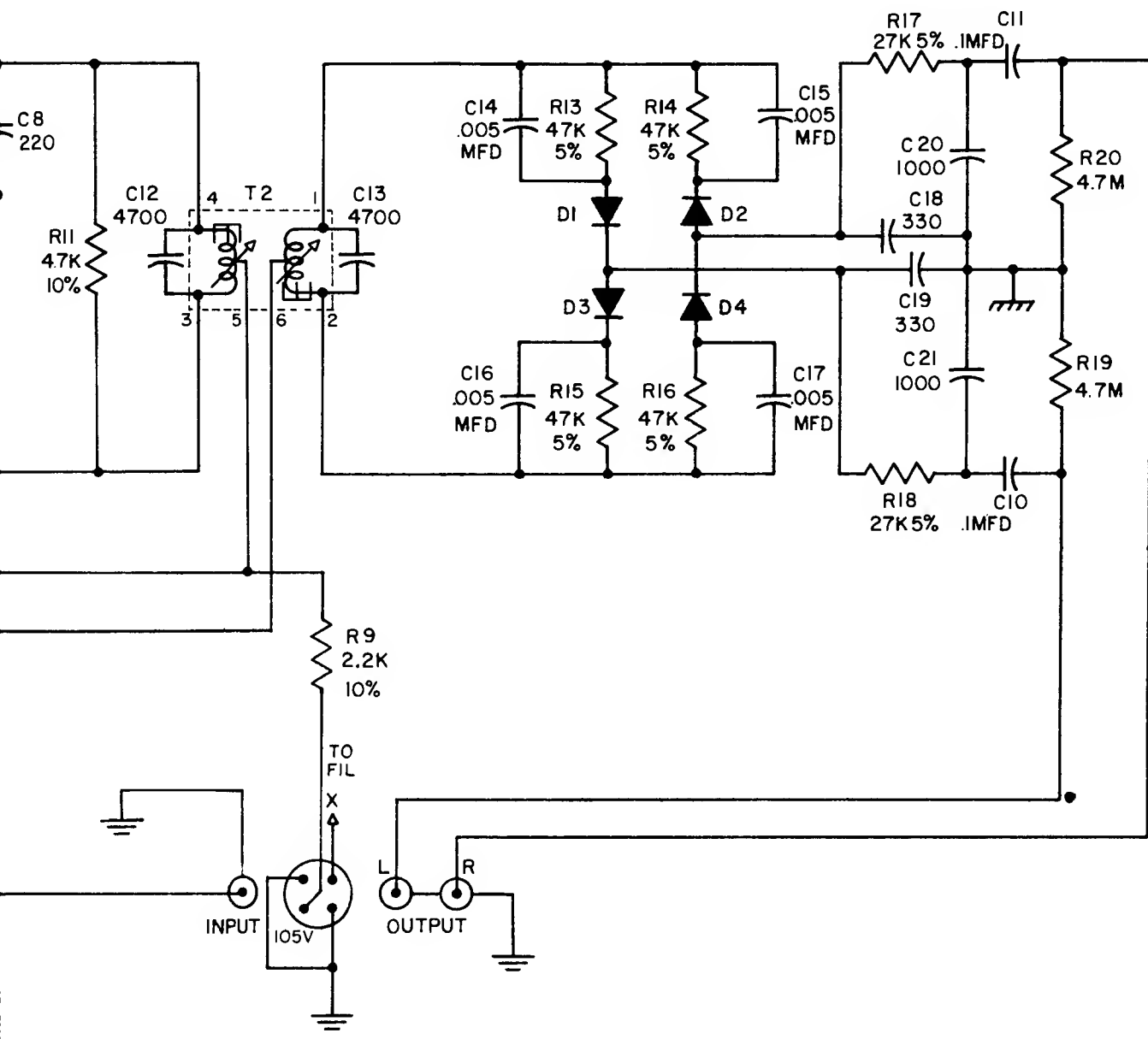


UNLESS OTHERWISE SPECIFIED

ALL RESISTORS  $\frac{1}{2}$  W 20%

ALL CAPACITORS IN MMFD

USE CABLES SUPPLIED ONLY FOR CONNECTION TO MODEL MR-66 T



CONNECTION TO MODEL MR-66 TUNER

REVISIONS					
NO.	DATE	BY			
1					
2					
3					
4					
5					

<b>SCHEMATIC MA-6</b>			
DRAWN BY	A. D. C.	SCALE	MATERIAL
CHK'D		DATE	11-20-61
TRACED		APP'D	SC 134-102