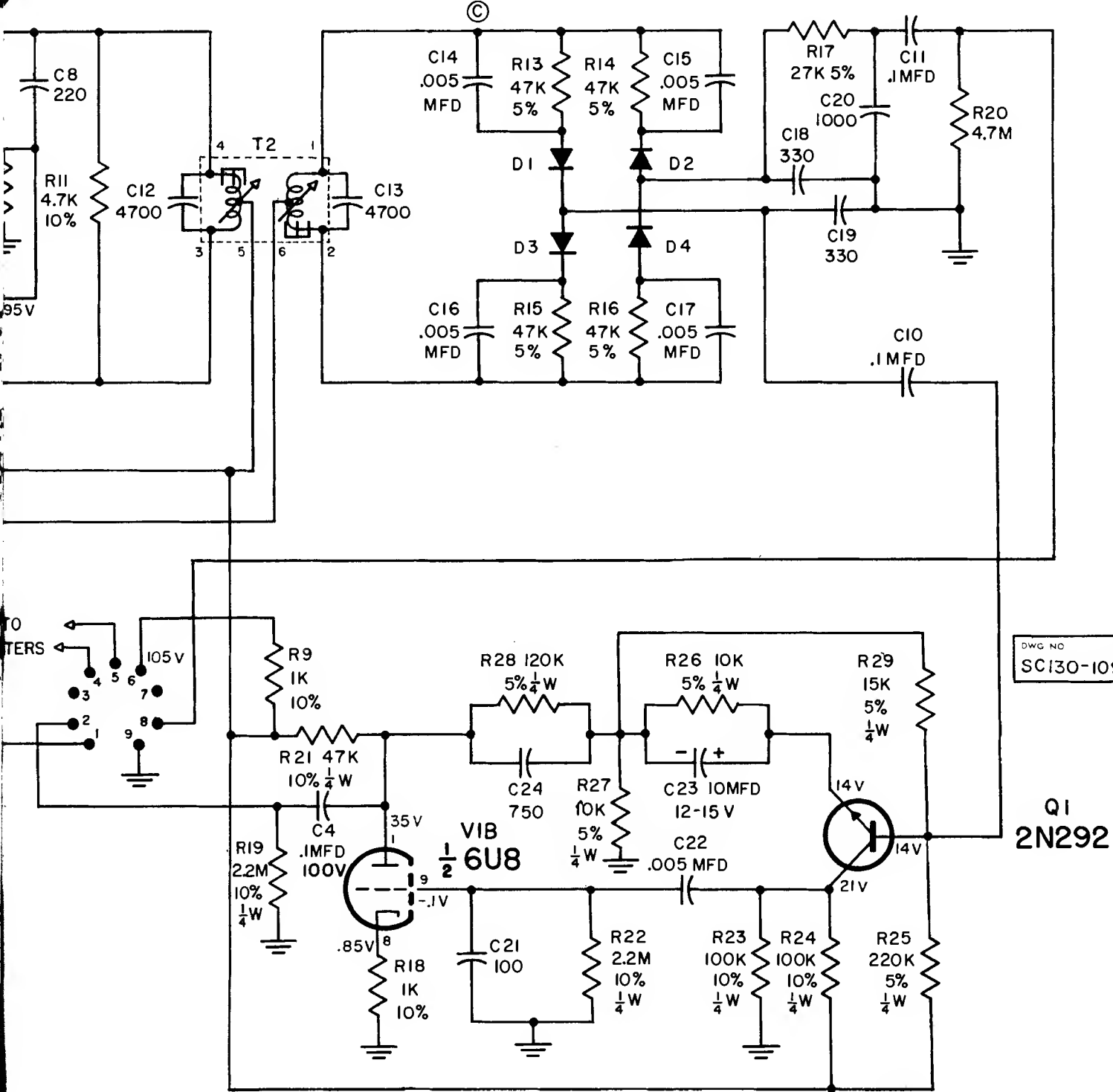


REV	C N	REVISION	DATE	BY	CHKD	APPD
A						
B						
C						



DWG NO SC130-109 REV

Q1 2N292

MATERIAL	TITLE		PART NO	
FINISH	SCHEMATIC MA 5		USED ON	
TOLERANCES - Unless otherwise specified Angles 1/16 Fractions .005 Decimals	SCALE	DRN BY	DATE	DWG NO
		A. D. C.	1-5-62	SC130-109 A
		CHKD	APPD	REV

McIntosh LABORATORY INC.
 2 Chambers St Binghamton N. Y.