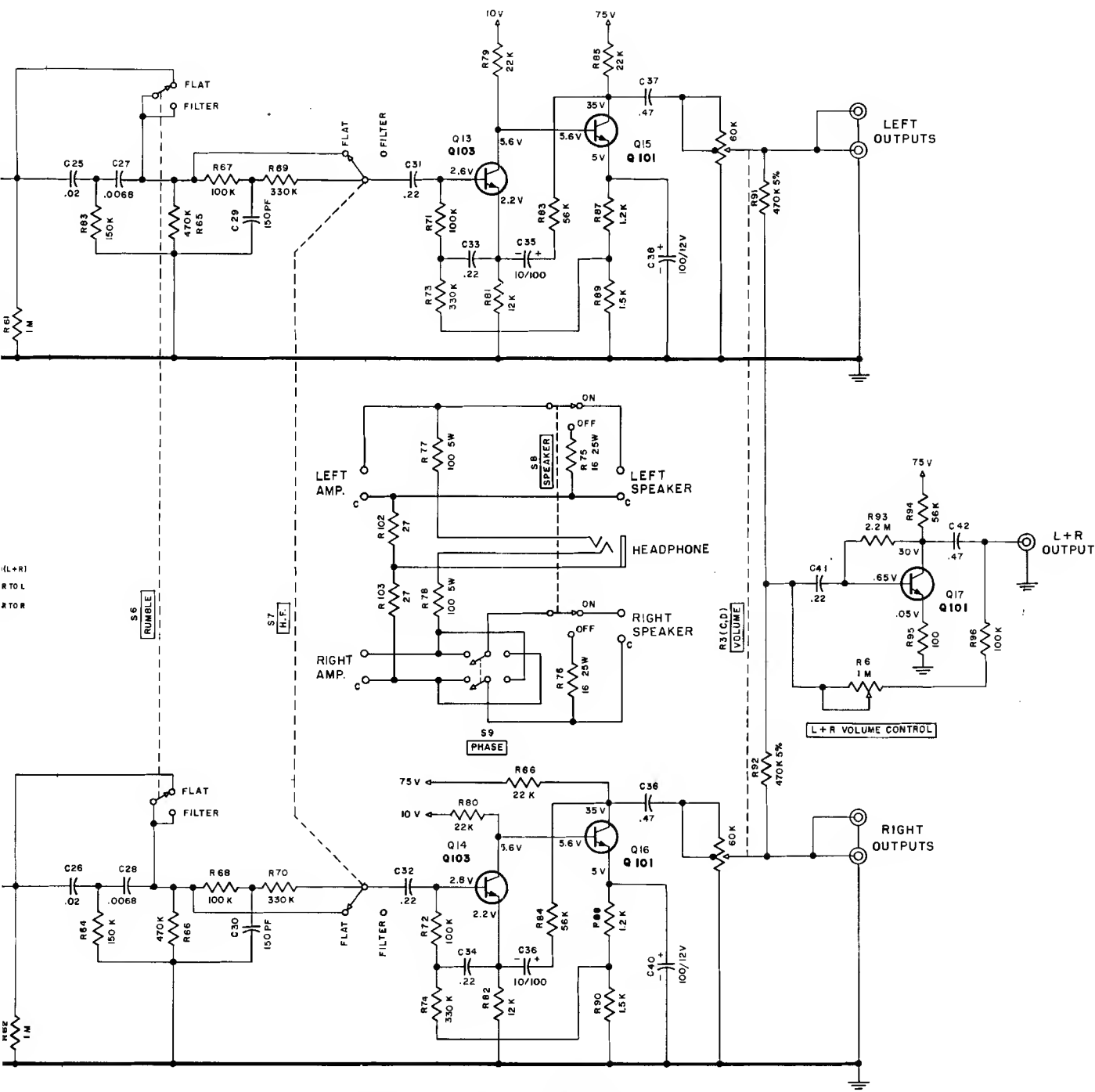


ALL VOLTAGES MEASURED AT INPUT VOLTAGE INPUT SELECTOR MODE SELECTOR

UNLESS OTHERWISE SPECIFIED ALL RESISTORS IN OHMS

TRANSISTOR REPL.	MINTOSH NO.
Q101	2N3638
Q102	2N3638
Q103	2N3638



ALL VOLTAGES MEASURED UNDER FOLLOWING CONDITIONS:  
 USE OF 11 MEGOHMS INPUT IMPEDANCE VTVM VOLT METER  
 INPUT VOLTAGE 117 V AC  
 INPUT SELECTOR - AUX  
 MODE SELECTOR - STEREO

UNLESS OTHERWISE SPECIFIED  
 ALL RESISTORS IN OHMS  $\frac{1}{2}$  W 10%

LAST R R108  
 LAST C C46

TRANSISTOR REPLACEMENT CHART	
M*INTOSH NO.	EQUIVALENT NO.
Q101	2N720
Q102	2N657
Q103	2N3390

MATERIAL	TITLE	PART NO.
	SCHEMATIC, C24	
FINISH	McIntosh LABORATORY, INC. 2 Chambers St. New York, N.Y.	LISTED ON
TOLERANCES - Unless otherwise specified	SCALE	DATE 11.5.64
1% Angles, 1/16 Fractions	COND. BY	DWG. NO. SCI49-194
1/32 Decimals	APP. BY	REV.

# McIntosh

**MODEL NUMBER:** C 24

**MODIFICATION:** Add four grounding springs to the shafts of the Volume, Balance, Bass and Treble controls.

**DESCRIPTION:** Some controls have developed a noise when rotated. Adding the springs to ground the shafts prevents this condition.

**CAUTION:** When adding the springs to the Bass and Treble control, be sure they make good contact. Make sure the spring is not too tight. If the springs are tight the clutch action of the controls will not function.

**PROCEDURE:** Remove the front panel. Place the spring around the shaft and insert the ends of the spring into the control guide hole. See diagram.

