

JACKS VIEWED FROM REAR

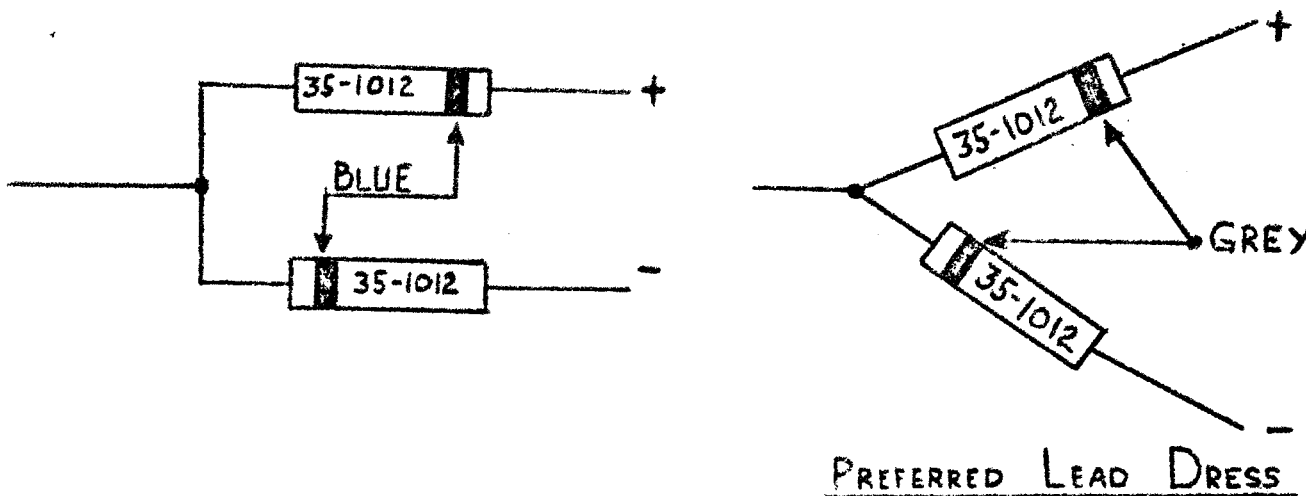
marantz

model number 18	bulletin number 69-01/18-1	date
for serial numbers	to	
subject REPLACEMENT OF DIODES IN 12 VOLT SUPPLY		

For improved reliability and performance the two Zener Diodes (CR-10 & CR-11) are being replaced by a new type. These diodes are located behind the power transformer on the top main chassis. They provide regulation for the FM sections, scope display and tone amplifier. Their failure will result in a loss of FM operation, scope display or if the fault is in the plus side of the 12V supply (CR-10) it will cause a loss of output on both channels.

The older type, to be replaced, is identified by a blue band. Its leads will be dressed at right angles. the NEW TYPE is identified by a GREY band. This is illustrated below with a drawing showing the old and the preferred new installation.

The part number for the diodes remains the same: 35-1012



MR9-054a

marantz

model number 18	bulletin number 69-2/18-2	date
for serial numbers	to	
subject REPLACEMENT OF REFERENCE DIODES IN POWER AMPLIFIER.		

Reference diodes CR17 and CR18 are being replaced with a more reliable type. These diodes are located in the power amplifier section next to the bias pots R-26 and R-27. The old types are identified by the Marantz name printed on them and their small size compared to the replacement diodes.

After installing the NEW diodes, readjust the bias as follows:

1. Connect a VTVM across the 0.47 ohm, 5 watt resistor, R-28, (located near the power transistor, Q-11 at the left of the heat sink).
2. Adjust the bias pot, R-26 for a reading of 80 millivolts (0.08V).

Follow the same procedure for the right channel while taking the reading across R-43 and adjusting bias pot R-27.

Part numbers:

CR17	35-1002
CR18	35-1002

MR9-054

marantz

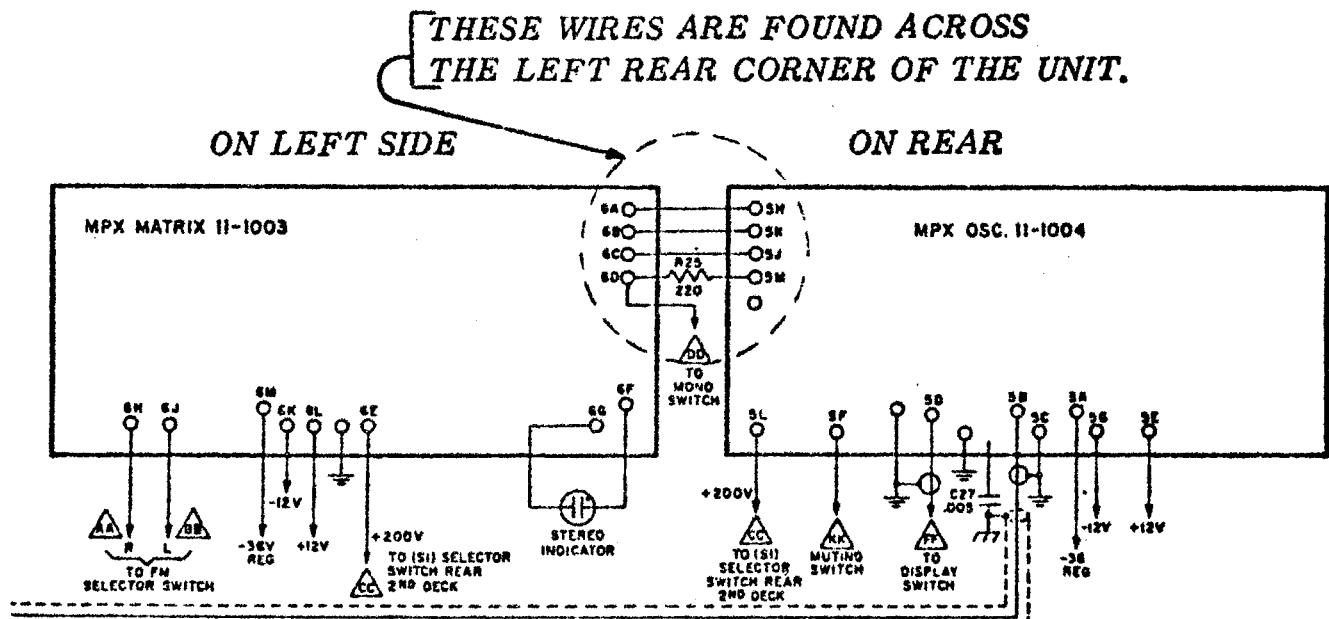
model number 18	bulletin number 69-3/18-3	date
for serial numbers	to	
subject MODIFICATION OF STEREO PHOTOSWITCH		

The following circuit modification is designed to correct the intermittent stereo operation in the FM mode which results from improper operation of the STEREO PHOTOSWITCH, LDR602.

1. REMOVE the three wires between the terminals of the MPX MATRIX board and the MPX OSCILLATOR board (See FIG.1). Also remove one side of resistor R-25.
2. REMOVE the two screws which secure the MPX Matrix board to the main chassis. Carefully pull the board away to expose the foil side.
3. INSTALL two insulated wire JUMPERS across both sides of the STEREO PHOTOSWITCH, LDR602 as shown in FIG.2. This effectively bypasses its operation.
4. REPLACE the matrix board on the chassis and re-solder the wires and resistor removed in step one above.

NOTE: IF THE PREVIOUS WIRES WERE SOLID, REPLACE THEM WITH STRANDED WIRE FOR GREATER FLEXIBILITY.

FIGURE I:
MR9-054d



marantz

model number 18	bulletin number 69-4/18-4	date 7/7/69
for serial numbers	to	
subject PROLONGING LIFE OF CRT		

Prolonged or excessive exposure of the display on the screen of the cathode ray tube will eventually cause the phosphor coating on the face of the 'scope to develop burned areas.

Since the burning of the CRT face is not covered under warranty, and for general extension of the CRT tube life, it is strongly recommended that when the trace is not actually being viewed it should be removed from the screen.

Remove the trace by rotating the vertical centering knob until the pattern is no longer visible on the screen.

MR9-054f

marantz

model number 18	bulletin number 69-5/18-5	date
for serial numbers	to	
subject SUB-CHASSIS CONNECTING PLUGS		

OBSERVATIONS: During shipment, the phono plugs which connect the FM front end, the antenna strip, the IF strip the limiter and the detector have been found to come loose. This causes a loss of FM operation. When unpacking each Model 18 Receiver, these phono plugs should be checked for continuity.

CURE: Apply a small spot of solder to each plug shield to hold it securely while still permitting its easy removal. This should be done to all phono jacks, including the IF and limiter plugs.

MR9-054b

marantz

model number 18	bulletin number 69-13/18-6	date 9-25-69
for serial numbers	to	
subject OBSERVATION OF OSCILLOSCOPE DRIFT		

The following procedure is to be used to determine whether the oscilloscope is operating within the acceptable limits of drift.

- 1) With the unit cold, turn the power ON. After the CRT warms up, press the TAPE MONITOR and AUDIO DISPLAY switches, then use the external HORIZONTAL and VERTICAL controls to position the dot into the center of the circle and on the line.
- 2) Allow the unit to remain on with these setting untouched for at least three hours.
- 3) After a minimum three-hour period, check the oscilloscope for drift by again pressing the TAPE MONITOR and AUDIO DISPLAY buttons and observing the position of the dot. If it appears to have moved from its original position by less than approximately 1/8 inch in any direction, then the oscilloscope is functioning properly.
- 4) If the oscilloscope drifts excessively in a horizontal direction then it will be necessary to replace transistors Q1205 and Q1206.
- 5) Excessive drift in a vertical direction requires the replacement of transistors Q1202 and Q1203.
- 6) Any excessive drift in a diagonal direction indicates that all the transistors mentioned above should be replaced.

marantz

model number 18	bulletin number 69-8/18-7	date
for serial numbers	to	
subject RELOCATION OF PHONO INPUT GROUND WIRE		

Inspect the underside of the main chassis at the phono input jacks.

If the black phono ground wire runs inside the lip of the back panel near the AC cord and fuse holder, perform the following:

1. Cut the wire at the GND bus.
2. Dress the lead close to the main chassis, away from the AC cord.
3. Re-solder it to the GND bus bar.

MR9-054c

marantz

SERVICE BULLETIN

SS-MAR0234

model number
18

for serial numbers
ALL

subject

LIGHT CELL REPLACEMENT

engineering approval

bulletin number

M-18-8

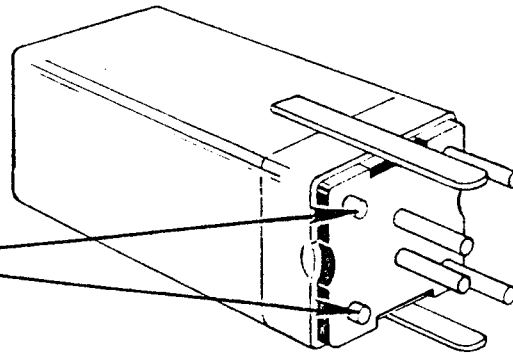
date

11-25-75

The original LIGHT CELL ASSEMBLY, Ref. Desig. LDR501, Part Number 11-1010 is no longer available and has been replaced by Part Number 331-1005-000.

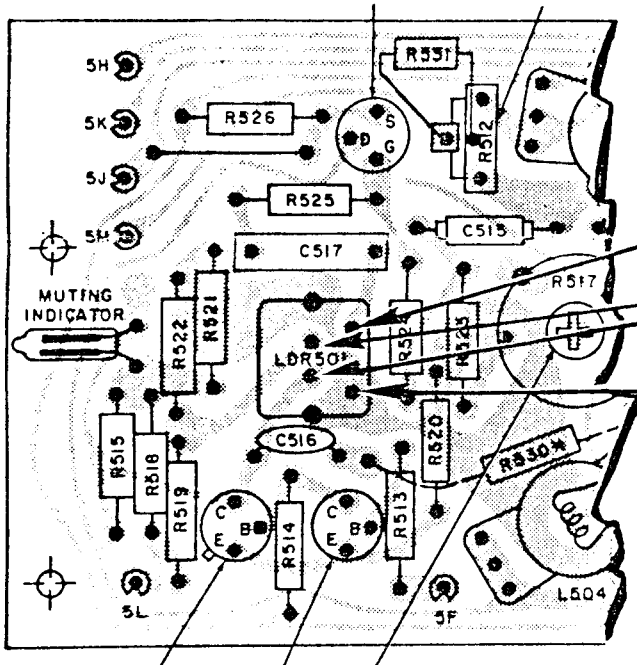
Prior to installation it is necessary to modify the replacement Light Cell Assembly and the Model 18 MPX Oscillator Board as described below;

Replacement
LIGHT CELL ASSEMBLY, LDR501
P/N 331-1005-000



Cut (2) Leads

MODEL 18
MPX Oscillator Board



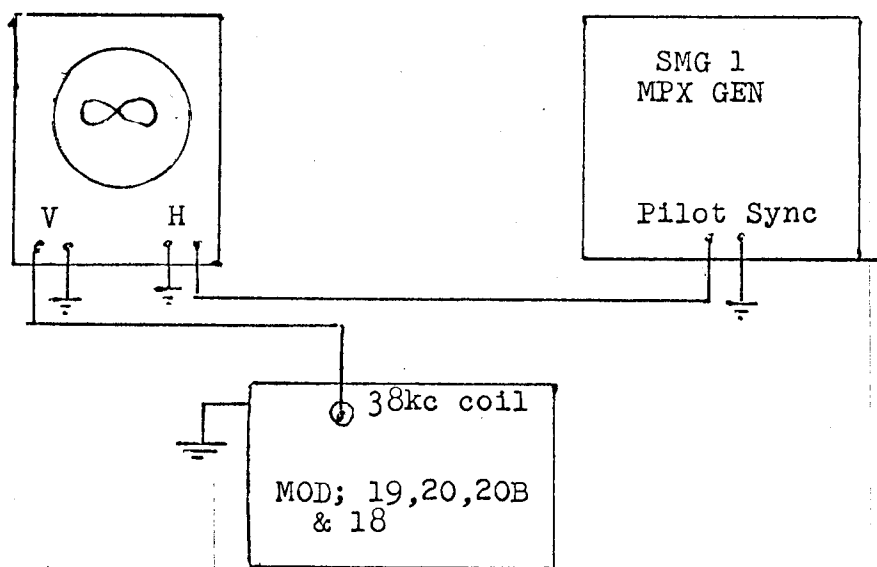
Enlarge PCB Holes
[to accommodate larger
lead diameter of replacement
LDR501]

Albert Almeida
Albert Almeida, Manager
Technical Services

Marantz Part Number
100-1012-001

Marantz Company, Inc., P.O. Box 99, Sun Valley, California 91352 • (213) 767-9750 • 875-0810 • A Subsidiary of Superscope, Inc.

ALIGNMENT OF MPX ON MARANTZ MODELS; 18,19,20,20B



- A) Adjust det. for min. distortion
- B) Adjust 19kc and 38kc coil for max. symmetry of horizontal fig 8.
- C) Adjust sep. control for max stereo sep. L to R and R to L

POOR STEREO TRIGGERING
MOD 22,23,24

Change R-564 from 100 ohms to 220 ohms to increase stereo threshold triggering.

note; Watch 15% meter range for drift on SMG-1 MPX gen.

FIELD I.F. ALIGNMENT

MODEL 18, 19, 20 & 20B

The following Field I.F. Alignment Procedure is intended for use only for emergencies and under conditions where return of the I.F. Assembly to the factory for alignment would be considered impossible. If, under normal conditions, it is felt that the I.F. requires realignment, return it to the factory.

NOTE: The regular Service Manual for the Model being serviced should be used along with this procedure.

A. Preliminary Setups

1. Construct an adaptor as shown in Figure 1.
2. Obtain an extra I.F. cover and modify per Figure 5.
3. Remove I.F. cover and install alignment cover (see Step 2 above).
4. Install adaptor (see Step 1) in the output jack of the I.F. and reconnect output cable to the adaptor. Also, connect a length of coax (with proper plugs) to the second jack of the adaptor. This will come into use later.

NOTE: It must be long enough and of the proper type to reach and connect to the vertical input of the Scope.

5. Make the test setup shown in Figure 2.
NOTE: The Detector Output on the Model 18 is obtained by connecting between Pin #5B and Chassis Ground.
6. Disconnect the I.F. input from the Front End and connect a 10.7 MHz crystal oscillator to it.
7. Turn on set to be aligned and allow it and the test equipment to "warm up" for at least 30 minutes.

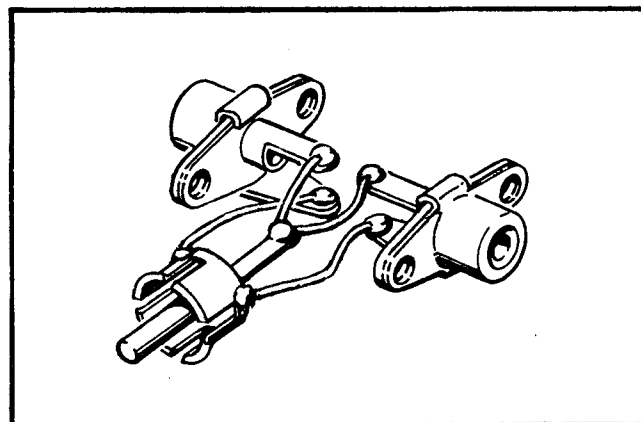


Figure 1. I.F. Output Adaptor

8. Set Scope Horizontal Input to D.C. and short the input. Adjust the position control until the trace is centered exactly.
9. Adjust V.T.V.M. for a "ZERO" reference point (with input shorted) at mid scale.
10. Remove input shorts on the equipment and turn on the 10.7 MHz oscillator.
11. The meter should read zero (0) volts and the scope trace should be centered horizontally. If not, adjust the Detector Secondary (C408-M18; C712-M19, 20 and 20B), for zero (0) volts.
12. Remove the 10.7 MHz oscillator and re-connect the Front End to the I.F. input.

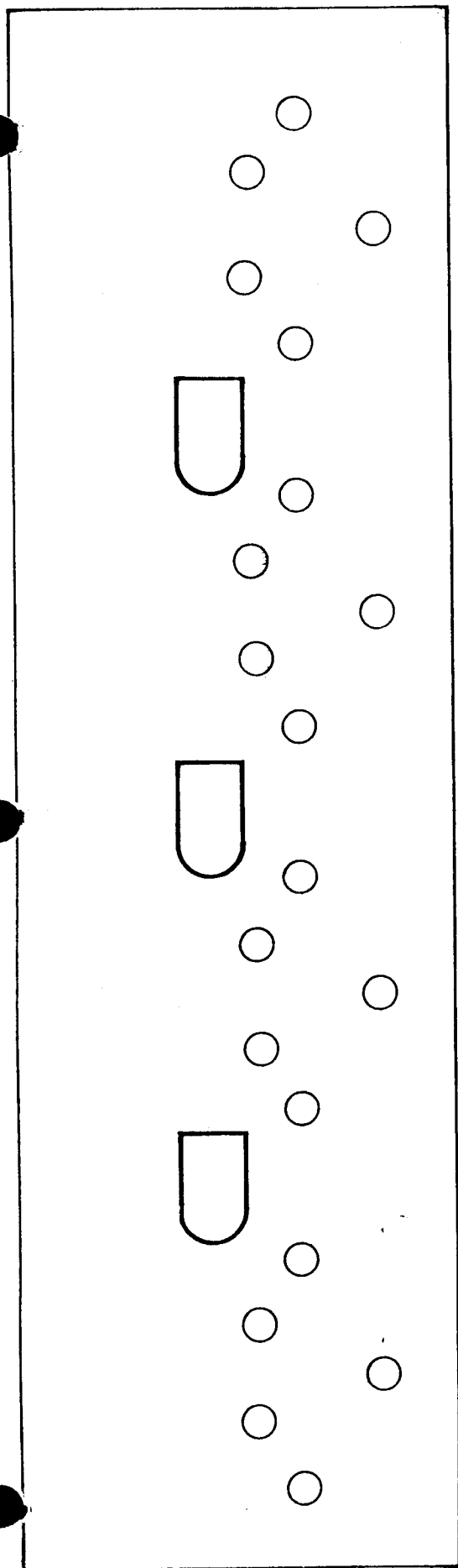


Figure 5. I.F. Alignment Cover Modification Template

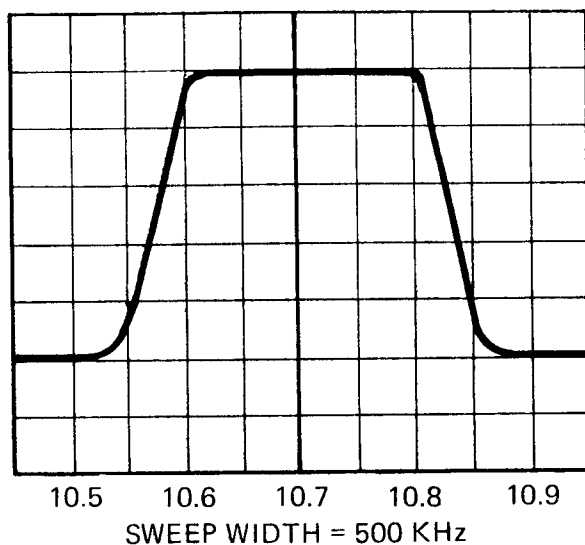


Figure 4. I.F. Bandpass Curve

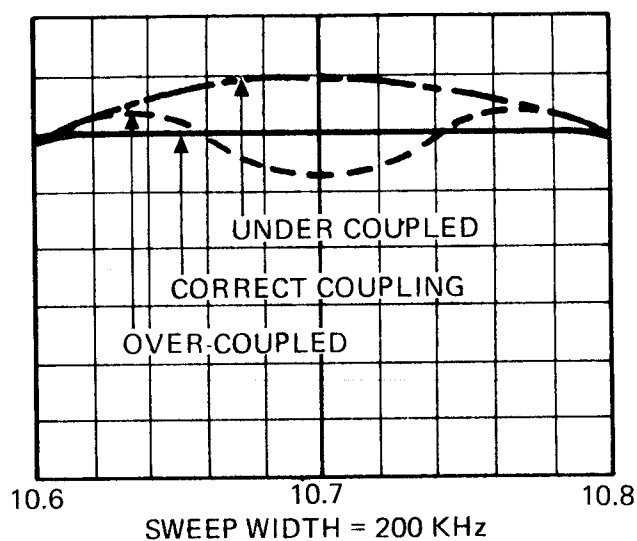
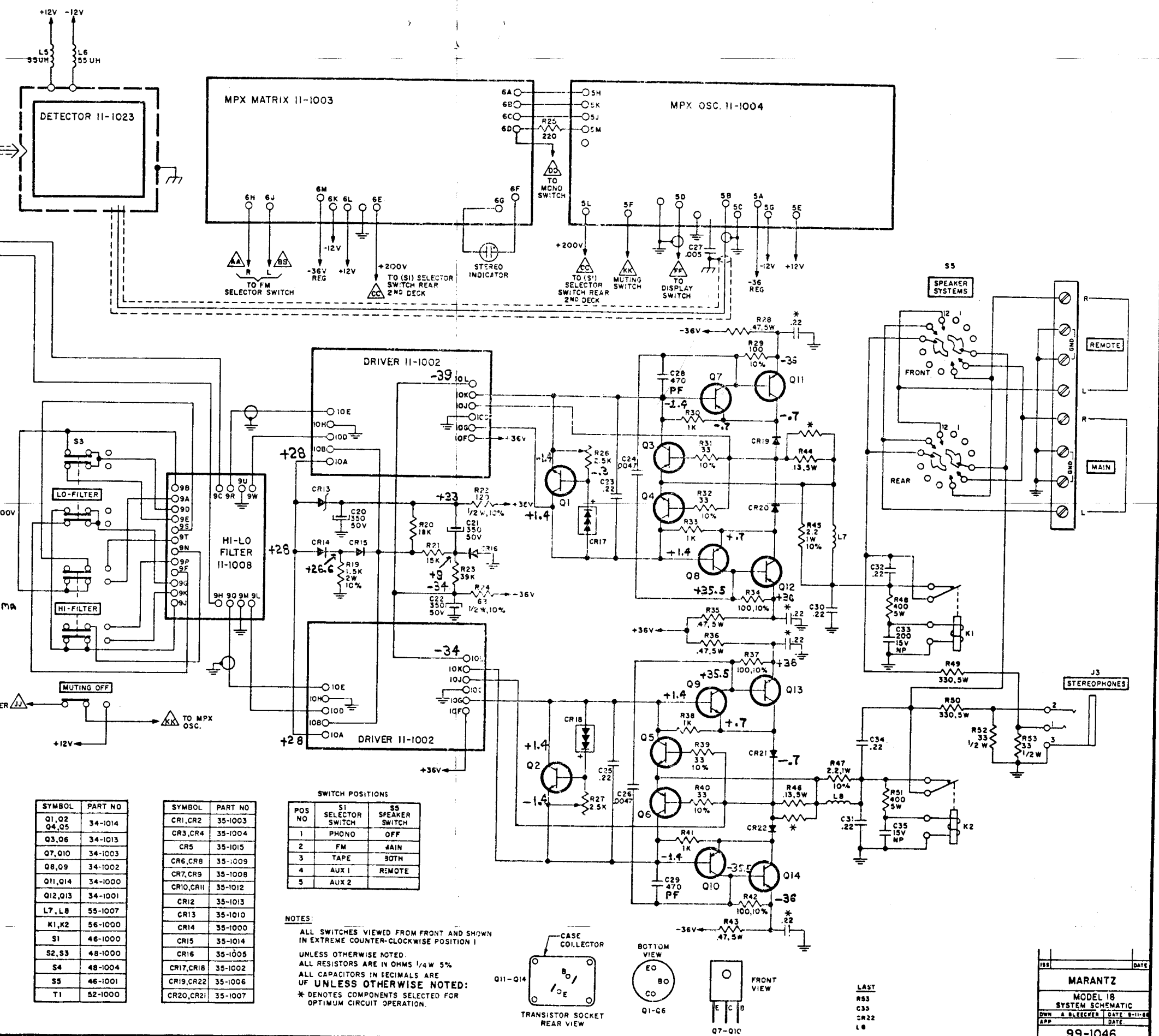


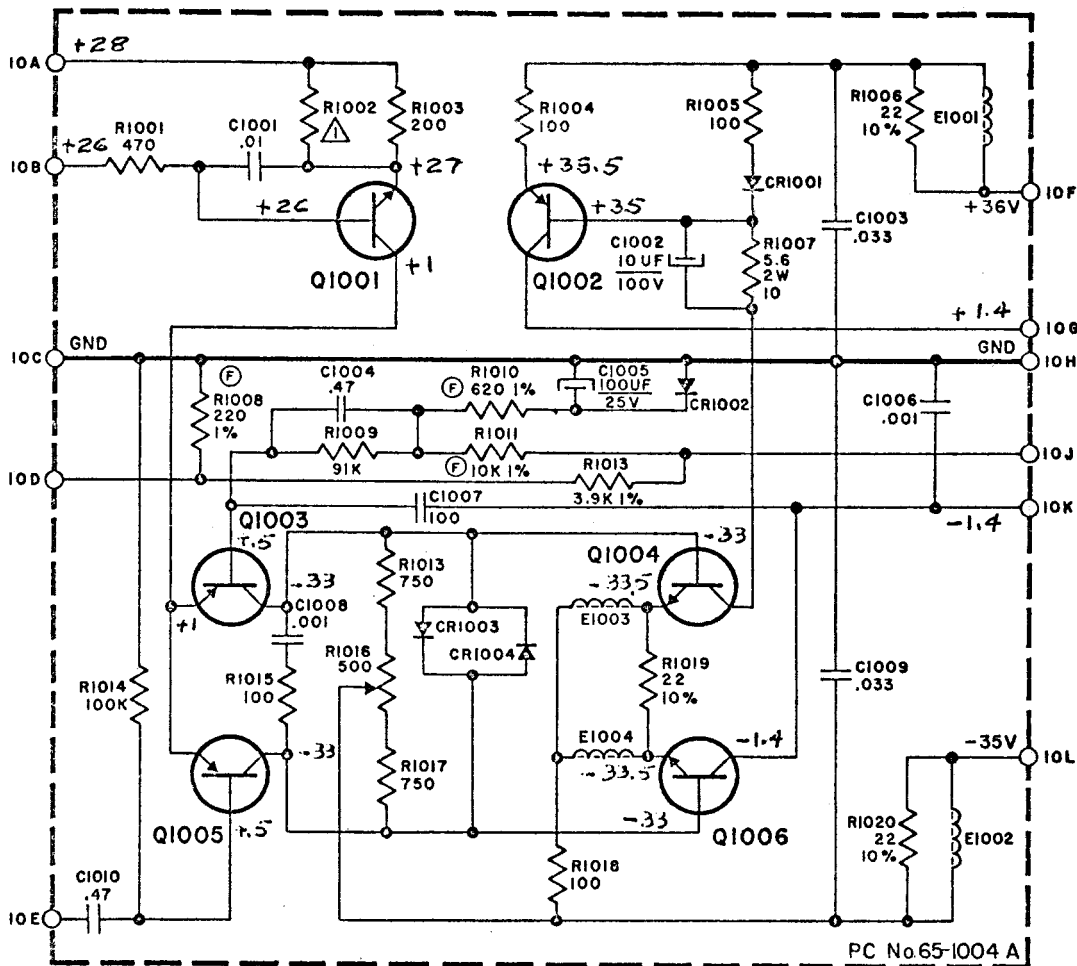
Figure 6. I.F. Bandpass Curve

Therefore, the response curve can not be any better than that of the first stage alone. Normally, the curve will degrade slightly (appearing more like the "under-coupled" curve) on the 200 KHz display as more stages come into play.

7. Move the scope probe to TP-3 (Ground clip to the shield between the third and fourth stage) and repeat Steps 3, 4 and 5 for the third stage.
8. Disconnect the scope probe from the scope input and replace it with the coax type cable from the output adaptor (see Section A - Step 4).
9. Repeat Steps 3, 4 and 5 for the fourth stage.
10. Remove all adaptors and connectors, etc., and restore receiver to operating condition.
11. Perform the Detector and MPX Alignments and check the receiver for overall performance.



DRIVER BOARD II-1002



SYMBOL	PART NO.
Q1001	34-1007
Q1002	34-1005
Q1003	34-1007
Q1004	34-1004
Q1005	34-1007
Q1006	34-1004

SYMBOL	PART NO.
CR1001	35-1000
CR1002	35-1014
CR1003	
CR1004	
R1016	33-1011

UNLESS OTHERWISE NOTED:

ALL RESISTORS ARE IN OHMS 1/4 W 5%

ALL CAPACITORS IN DECIMALS ARE UF

ALL OTHERS ARE PF

Ⓢ DENOTES PRECISION FILM RESISTORS

⚠ SELECTED FOR OPTIMUM VALUE

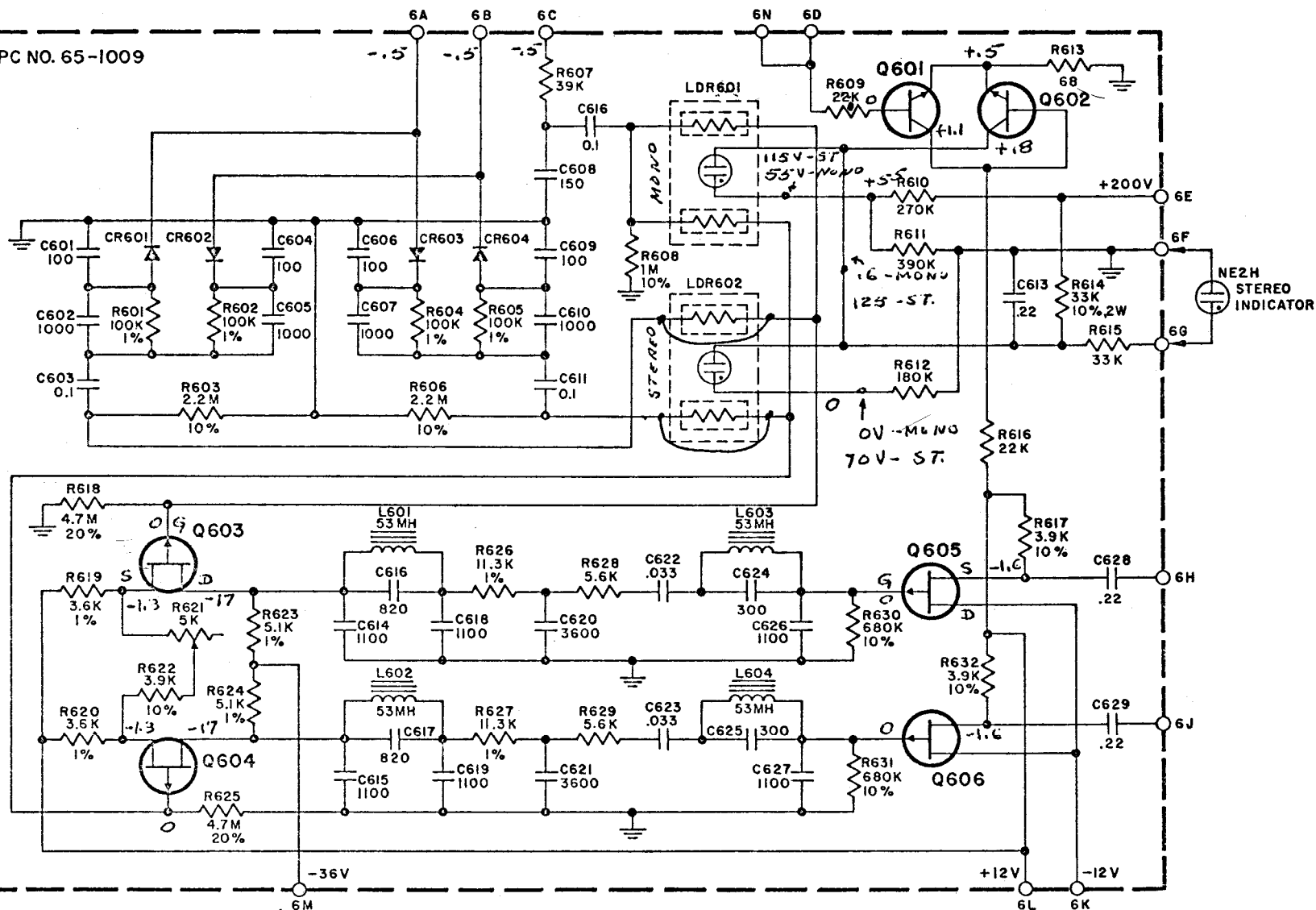
ISS	REVISION	DATE
MARANTZ		
DRIVER		
DWN		
APP		
99-1056		

C1010
R1020

DC VOLTAGES MEASURED WITH NO SIGNAL INPUT

MPX MATRIX BOARD II-1003

PC NO. 65-1009



SYMBOL	PART NO.
R621	33-1009
CR601	35-1016
CR602	
CR603	
CR604	
L601	11-1017
L602	
L603	
L604	

SYMBOL	PART NO.
Q603	34-1012
Q604	
Q605	
Q606	
Q601	34-1009
Q602	34-1017
LDR601	11-1011
LDR602	

UNLESS OTHERWISE NOTED:

ALL RESISTORS ARE IN OHMS 1/4 W 5%

ALL CAPACITORS IN DECIMALS ARE UF

ALL OTHERS ARE PF

ALL 1% RESISTORS PRECISION FILM

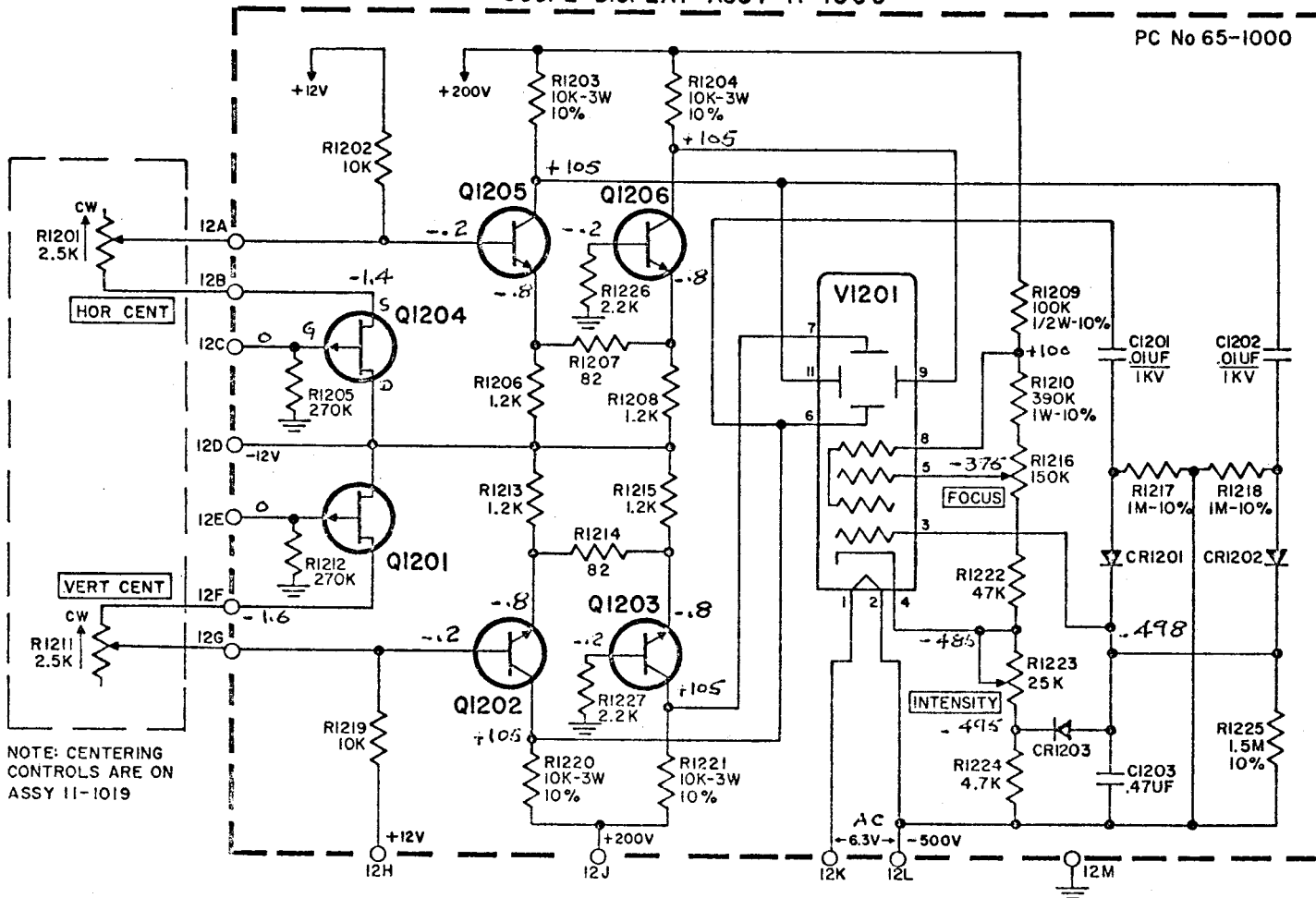
DC VOLTAGES MEASURED WITH
NO SIGNAL INPUT

ISS	REVISION	DATE
MARANTZ		
MPX MATRIX		
DWN		
APP		
99-1052		

C629
R632

SCOPE DISPLAY ASSY 11-1005

PC No 65-1000



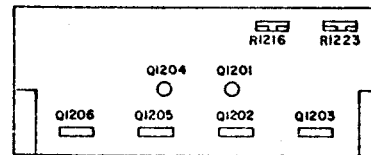
NOTE: CENTERING CONTROLS ARE ON ASSY 11-1019

UNLESS OTHERWISE NOTED:
ALL RESISTORS ARE IN OHMS 1/4W 5%

SYMBOL	PART NO.
Q1201,1204	34-1030
Q1202,1203	34-1006
CR1201,1202	35-1004
CR1203	35-1014
V1201	37-1000
R1216	33-1008
R1223	33-1006
R1201,1211	33-1004

OR 34-1012

FOCUS
INTENSITY
H & V CENT



COMPONENT SIDE

ISS	REVISION	QATL

MARANTZ

SCOPE DISPLAY

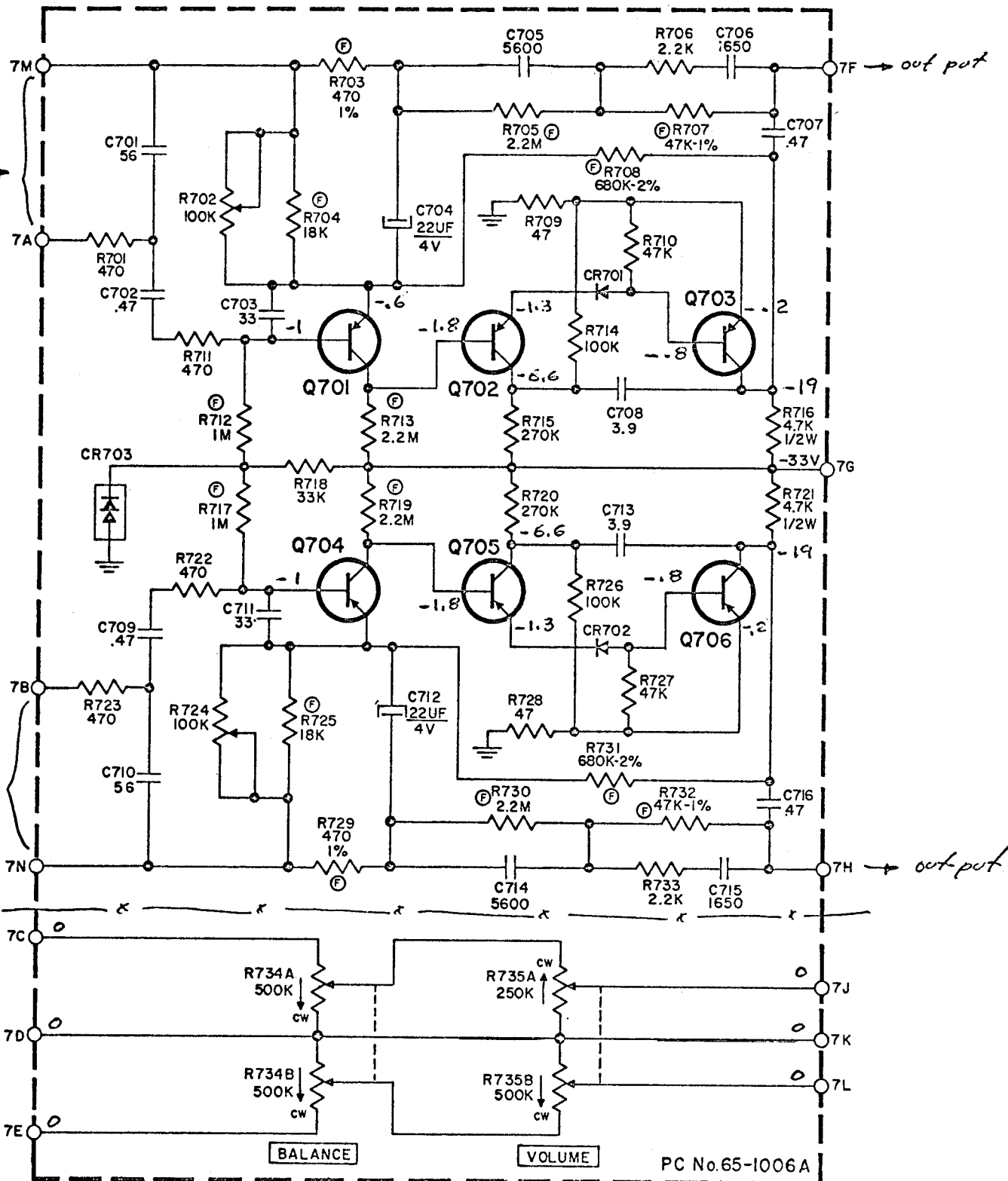
DWN: FA
APP

R1227
C1203

99-1057

DC VOLTAGES MEASURED WITH SCOPE
TRACE CENTERED, NO SIGNAL INPUT

PHONO AMPLIFIER BOARD ASSY 11-1006



UNLESS OTHERWISE NOTED:
 ALL RESISTORS ARE IN OHMS 1/4W 5%
 ALL CAPACITORS IN DECIMALS ARE UF
 ALL OTHERS ARE PF
 © DENOTES PRECISION FILM RESISTOR

DC VOLTAGES MEASURED WITH
 NO SIGNAL INPUT

SYMBOL	PART NO
Q701,702	34-1008
704,705	34-1011
Q703,706	34-1011
CR701,702	35-1014
CR703	35-1001
R702,724	33-1007
R734A,B	33-1001
R735A,B	33-1000

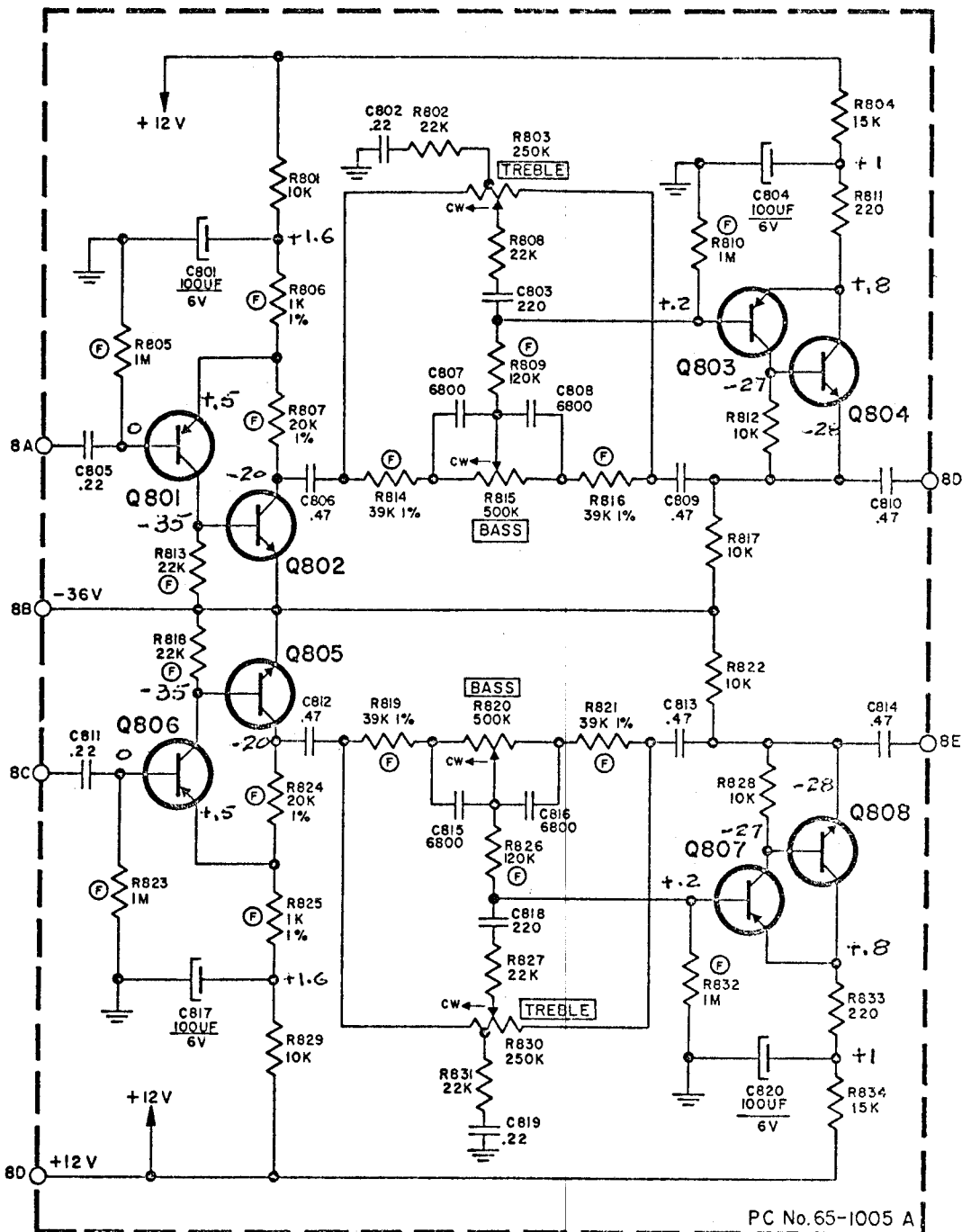
VOLUME
 BALANCE

ISS	REVISION	DATE
MARANTZ		
PHONO AMPLIFIER		
DWN		
APP		
99-1053		

R 735
 C 716

PC No.65-1006A

TONE AMPLIFIER BOARD II-1007



PC No. 65-1005 A

UNLESS OTHERWISE NOTED:

ALL RESISTORS ARE IN OHMS 1/4W 5%
ALL CAPACITORS IN DECIMALS ARE UF
ALL OTHERS ARE PF

Ⓢ DENOTES PRECISION FILM RESISTORS

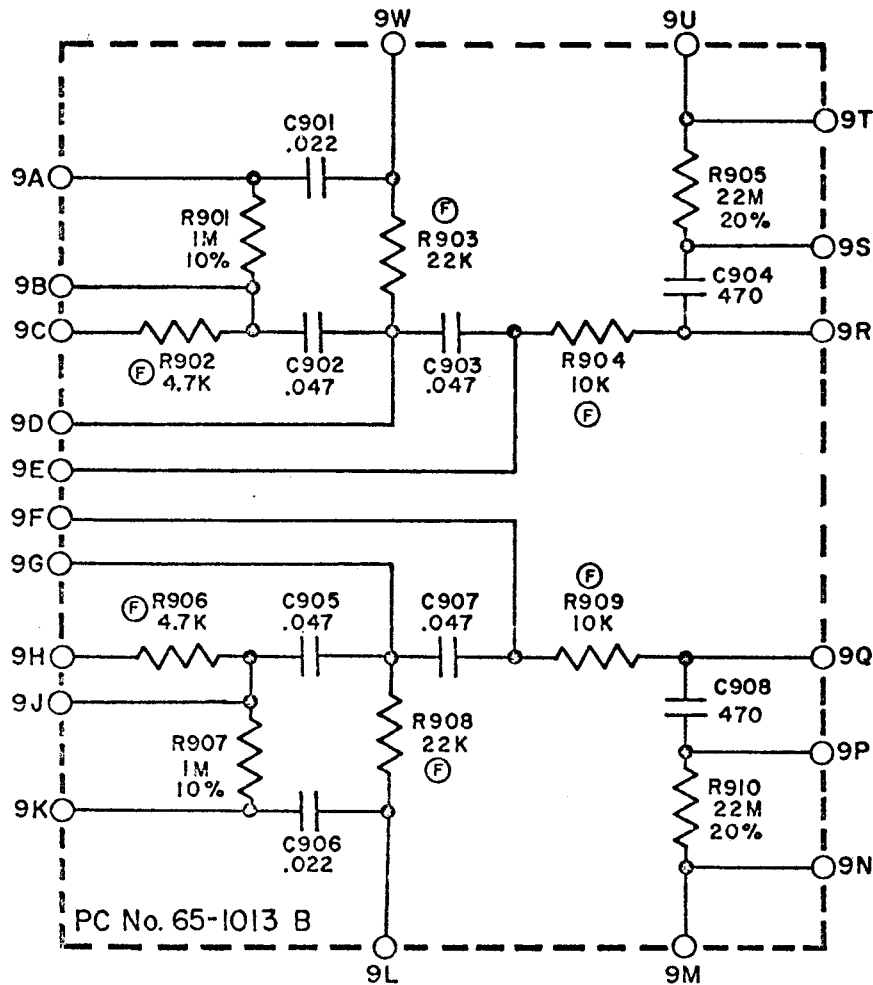
SYMBOL	PART NO.	
R830,803	33-1003	TREBLE
R820,815	33-1002	BASS
Q801,806 803,807	34-1008	
Q802,805 804,808	34-1010	

ISS	REVISION	DATE
MARANTZ		
TONE AMPLIFIER		
DWN		
APP		
99-1054		

DC VOLTAGES MEASURED WITH BASS & TREBLE
CONTROLS FLAT, NO SIGNAL INPUT

R834
C820

HI-LO FILTER BOARD



UNLESS OTHERWISE NOTED:

ALL RESISTORS ARE IN OHMS 1/4 W 1%

ALL CAPACITORS IN DECIMALS ARE UF

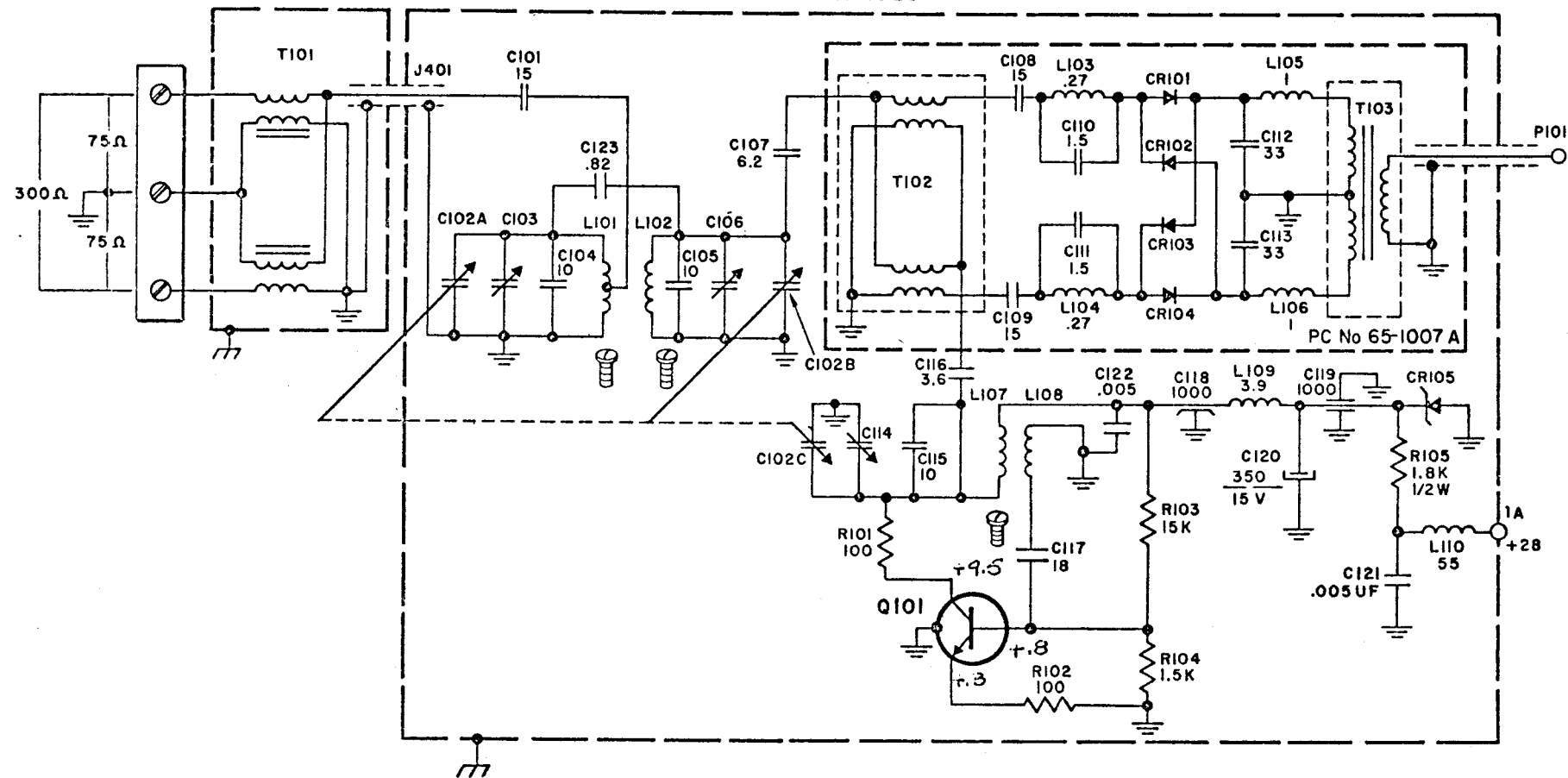
ALL OTHERS ARE PF

Ⓢ DENOTES PRECISION FILM RESISTOR

R910
C908

ISS	DATE
MARANTZ	
HI-LO FILTER	
DWN	
APP	
99-1055	

BALUN ASS'Y

FM FRONT END ASS'Y
11-1020

UNLESS OTHERWISE NOTED:

ALL RESISTORS ARE IN OHMS 1/4W 5%

ALL CAPACITORS IN DECIMALS ARE UF
ALL OTHERS ARE PF

ALL INDUCTORS ARE UH

SYMBOL	PART NO
C102A	
C102B	24-1000
C102C	
C103	21-1003
C106	21-1003
C114	21-1003
L101	55-1013
L102	55-1012
L107	55-1010
L108	55-1011

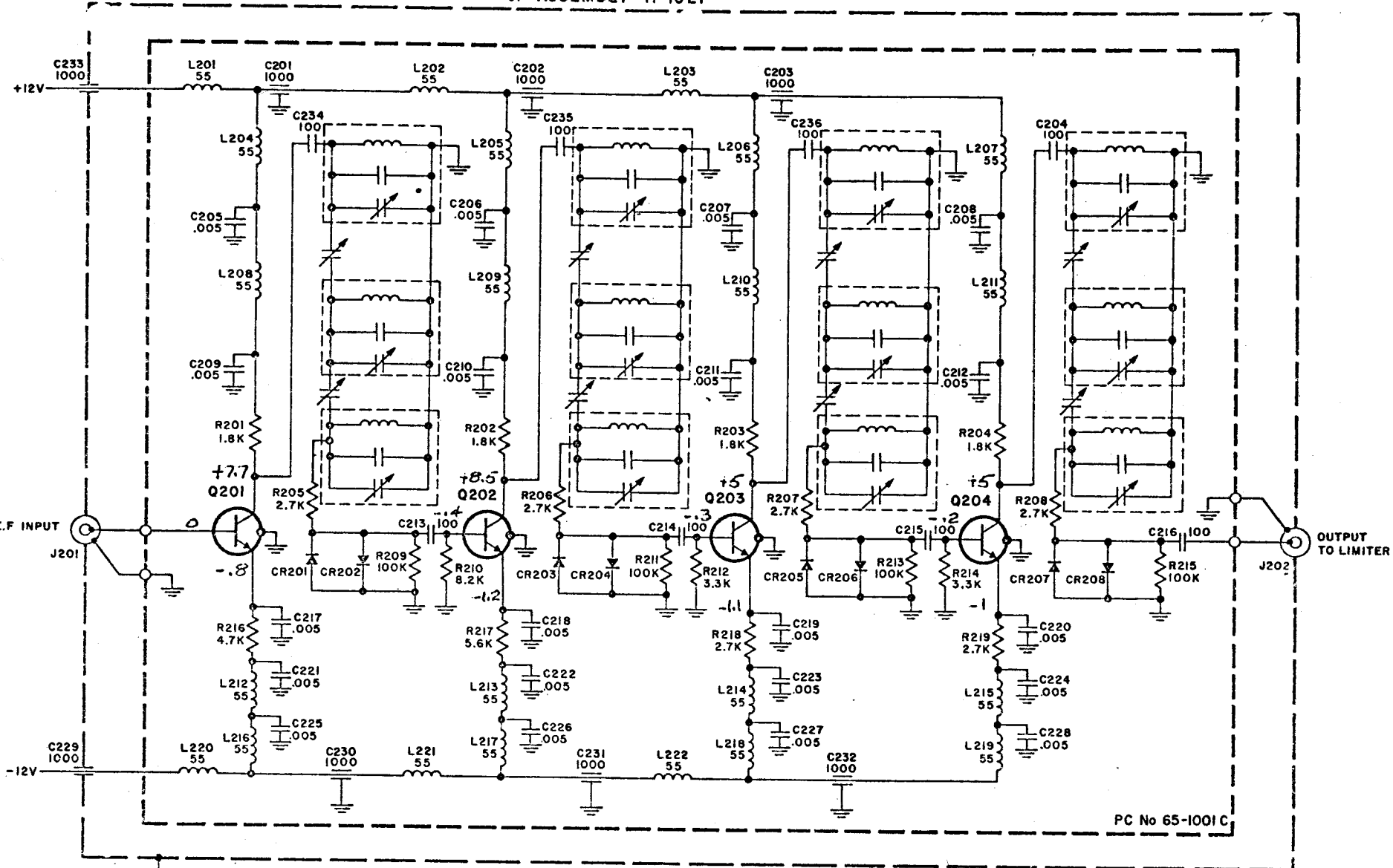
SYMBOL	PART NO
CR101	
CR102	35-1032
CR103	MATCHED
CR104	QUAD
CR105	35-1011
T101	55-1020
T102	55-1014
T103	55-1016
Q101	34-1016

C123
L110
R105
CR105

ISS	REVISION	DATE
MARANTZ		
FM FRONT END		
DWN		
APP		
99-1047		

DC VOLTAGES MEASURED WITH NO
INPUT SIGNAL "NOISE ONLY"

IF ASSEMBLY 11-1021



UNLESS OTHERWISE NOTED:
 ALL RESISTORS ARE IN OHMS 1/4W 5%
 ALL CAPACITORS IN DECIMALS ARE UF
 ALL OTHERS ARE PF
 ALL INDUCTORS ARE UH

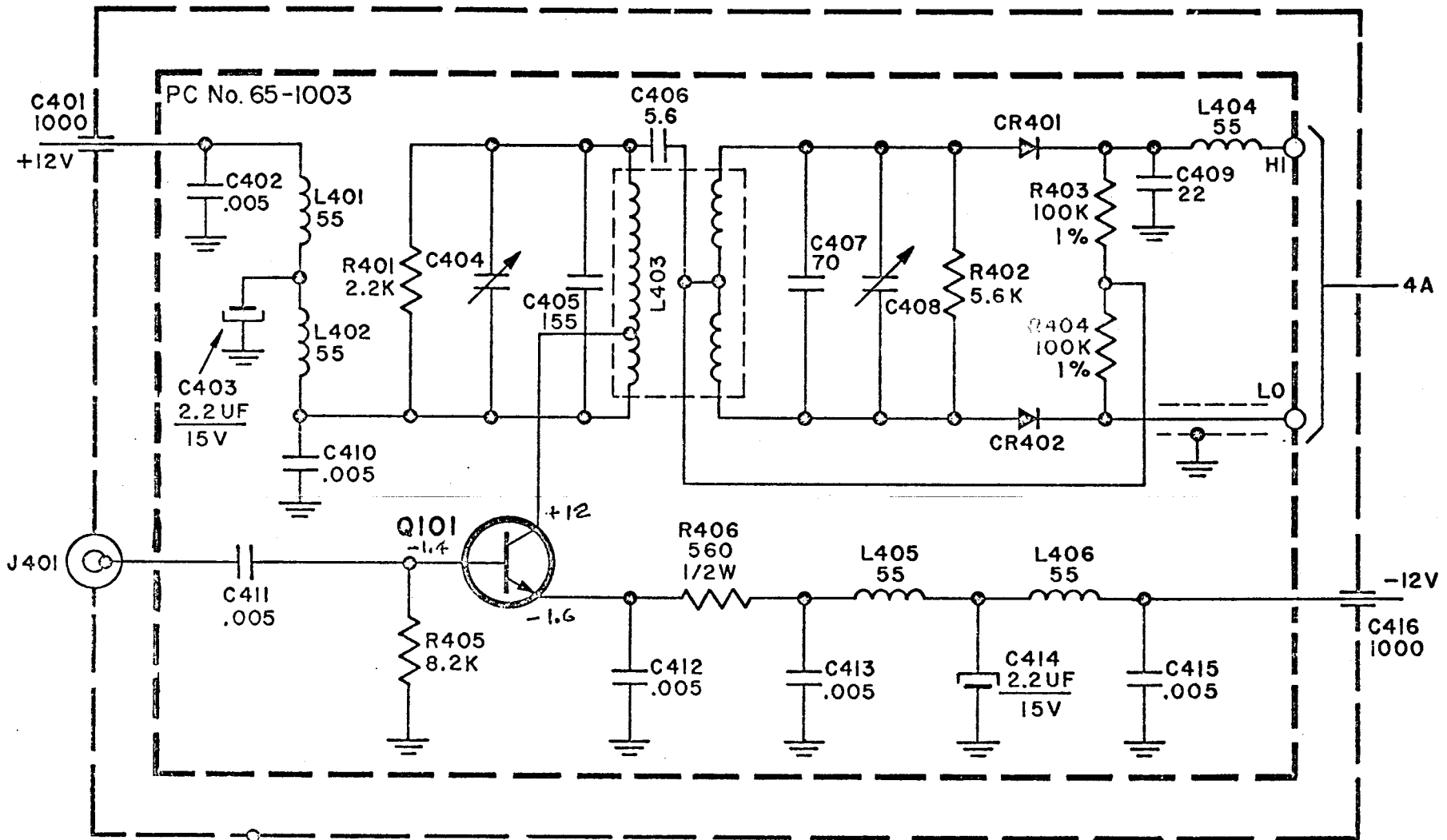
SYMBOL	PART NO
CR201-208	35-1019
Q201-204	34-1018

DC VOLTAGES MEASURED WITH NO SIGNAL INPUT (NOISE ONLY)

ISS	REVISION	DATE
	MARANTZ	
	IF ASSEMBLY	
DWN		
APP		
	99-1048	

L222
 C236
 R219
 CR208

DETECTOR ASS'Y II-1023



SYMBOL	PART NO.
Q101	34-1004
L403	55-1001
CR401	35-1017
CR402	35-1017
C404	21-1000
C408	21-1000

UNLESS OTHERWISE NOTED:
 ALL RESISTORS ARE IN OHMS 1/4 W 5%
 ALL CAPACITORS IN DECIMALS ARE UF
 ALL OTHERS ARE PF
 ALL INDUCTORS ARE UH

ISS	REVISION	DATE
	MARANTZ	
	DETECTOR	
DWN		
APP		

DC VOLTAGES MEASURED
 WITH NO SIGNAL INPUT
 (NOISE ONLY)

R406 C416
 CR402 L406

99-1050