



JBL XPL140A

SPECIFICATIONS

ACOUSTIC & ELECTRICAL SPECIFICATIONS:

- Nominal Impedance: 6 ohm
- Max Recommended Amplifier Power: 500W
- Frequency Response: 50 Hz to 21 kHz ± 6 dB
- Sensitivity: 88 dB SPL*
- Crossover Frequencies: 900 Hz, 4 kHz

SYSTEM COMPONENTS:

- Cabinet: CXPL140A (Not For Sale)
- Grille: GXPL140A
- Low Frequency Transducer: 116H-3 (8 in.) 200mm Polymer Laminate Cone Transducer

*1 Watt (2.83 V RMS) @ 1 Meter

SYSTEM COMPONENTS: (cont'd)

- Mid Frequency Transducer: 093Ti (3 in.) 75mm Pure Titanium Dome
- High Frequency Transducer: 046Ti-1 (1 in.) 25mm Pure Titanium Dome
- Crossover Network: NXPL140A

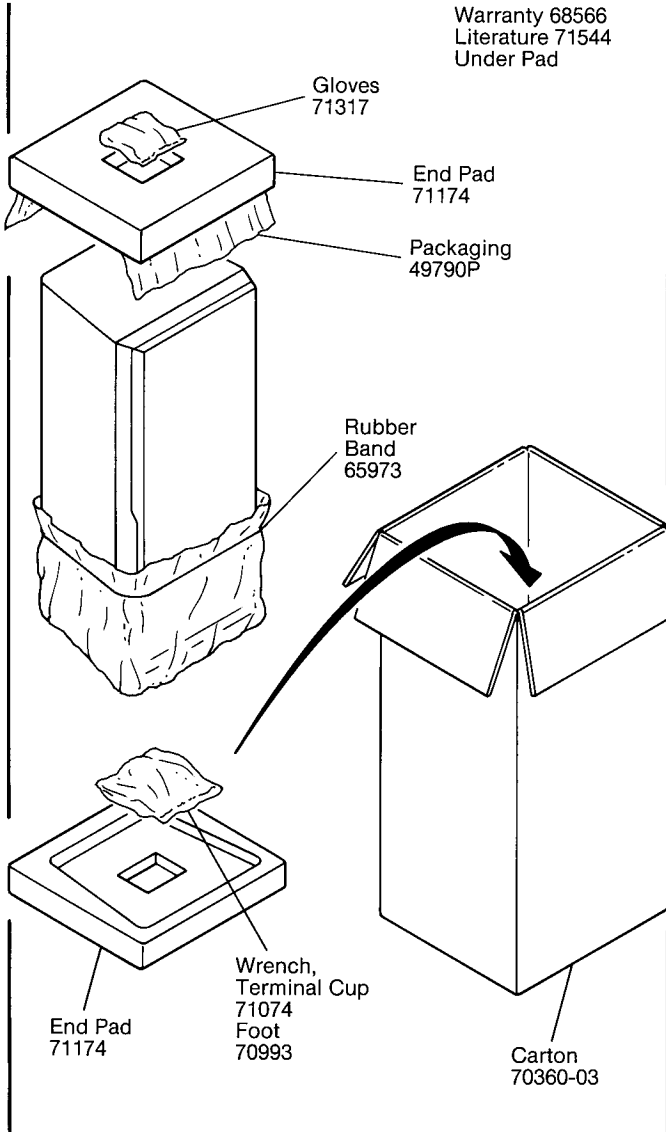
PHYSICAL SPECIFICATIONS:

- Enclosure Dimensions: 772mm x 337mm x 302mm D (30.37 x 13.25 x 11.87 in. D)
- Shipping Weight: 55 lbs. (24.94 kg) Each

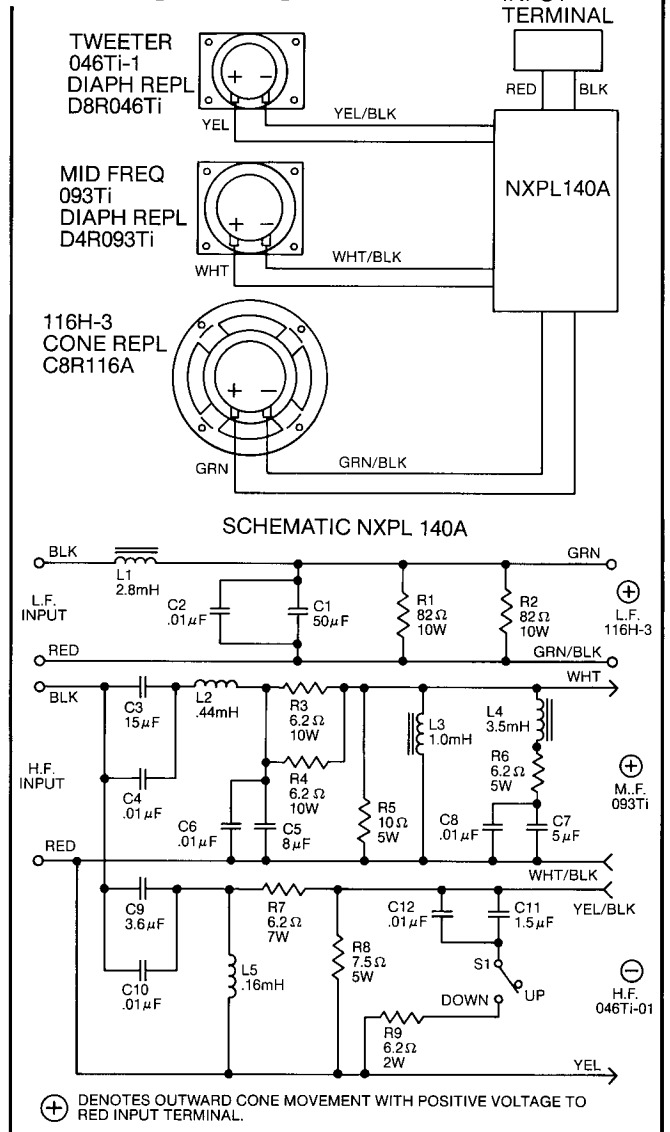
WARRANTY INFORMATION:

- Refer to the Warranty Statement packed with each product.

PACKAGE



WIRING DIAGRAM

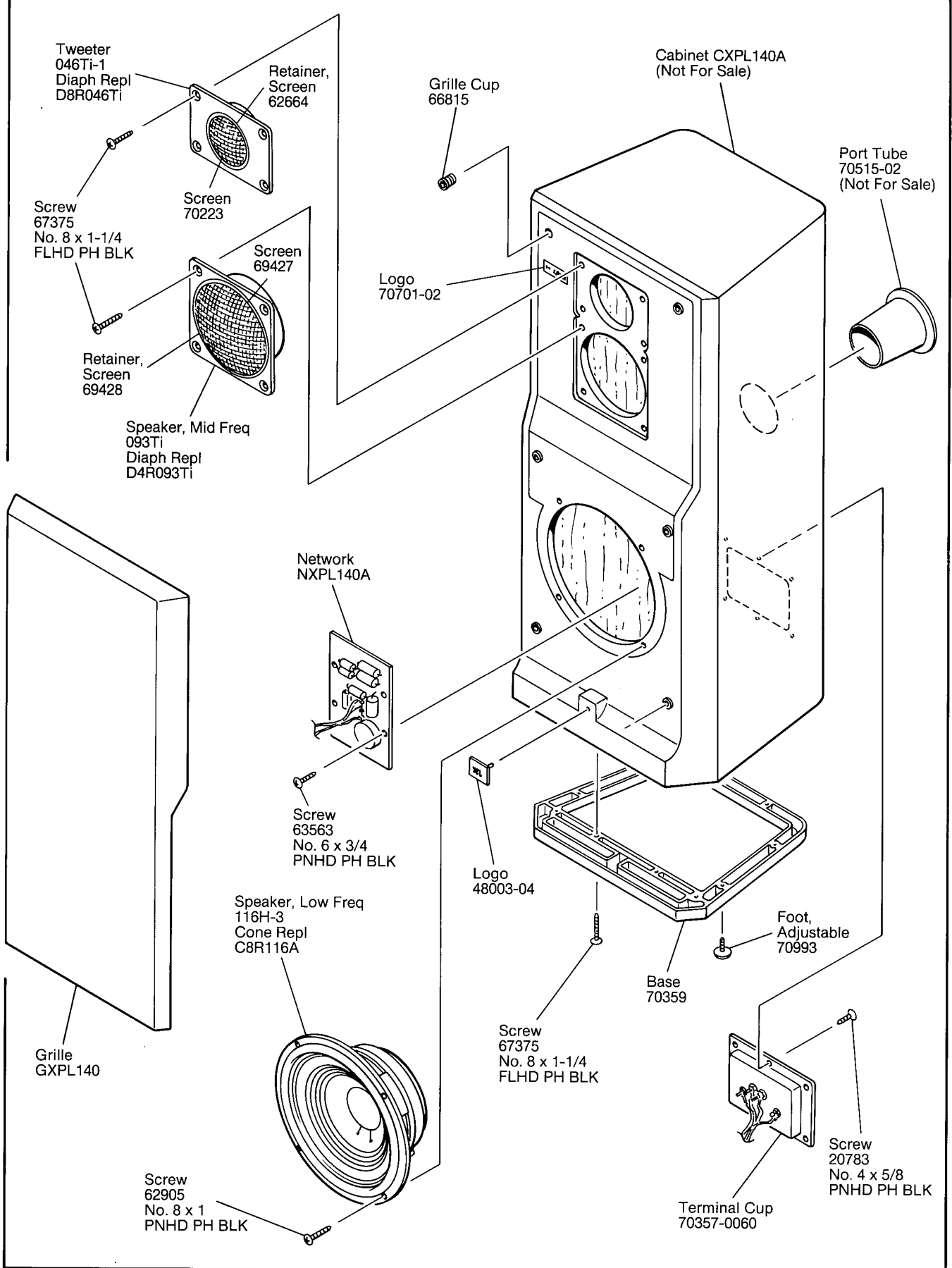


JBL XPL140A REV A

DRIVER	TEST VOLTAGE	SWEEP FREQUENCY	GAP GAUGE	DCR MIN-MAX.
046Ti-1	2.83	2KHZ-20KHZ	.031"	3.5-4.2 OHMS
093Ti	6	100HZ-20KHZ	.048"	3.8-4.2 OHMS
116H-3	6	20HZ-2KHZ	.057"	4.0-4.5 OHMS

JBL XPL140A

COMPONENT EXPLODED VIEW



JBL XPL140A