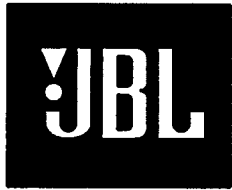


TLX225



SPECIFICATIONS

ACOUSTIC & ELECTRICAL SPECIFICATIONS:

- * Nominal Impedance: 8 ohm
- * Recommended Amp Power: 10-110W
- * Frequency Response: 65 Hz - 25 kHz (-6dB)
- * Sensitivity: 91 dB / 2,83V / 1 m
- * Crossover frequency: 3,5 kHz

SYSTEM COMPONENTS:

- * Cabinet: CTLX225 (Not for sale)
- * Grille: GTLX225 (2407515)
- * Woofer: AT170M-TLX2 170mm Woofer
Polymer laminate cone

SYSTEM COMPONENTS: (cont'd)

- * Tweeter: TW10MR 10mm
- * Crossover Network: NTLX225 (2707510)

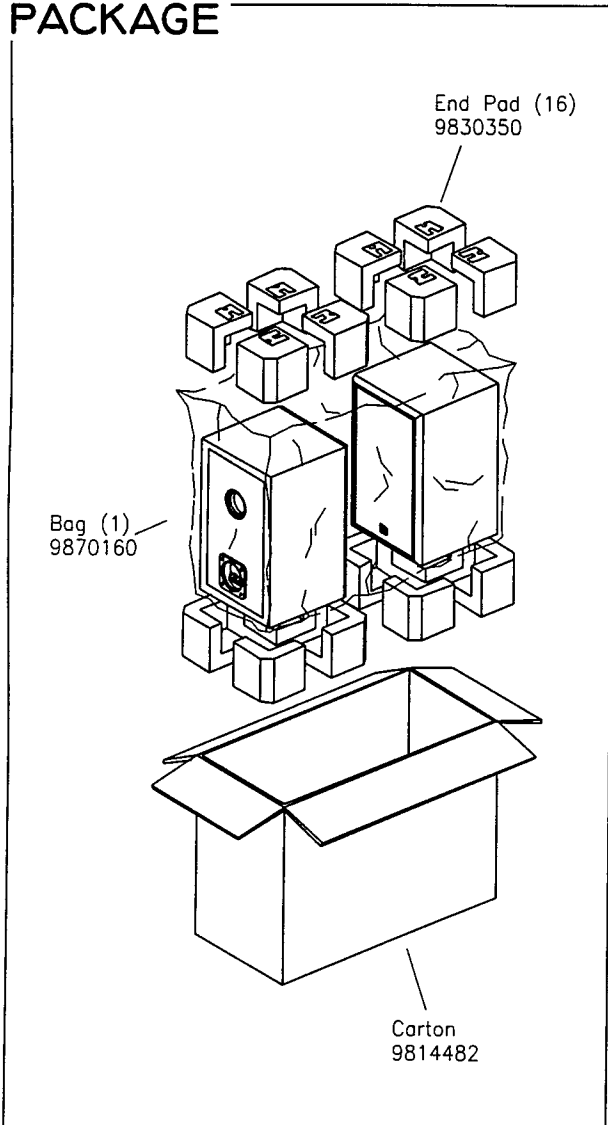
PHYSICAL SPECIFICATIONS:

- * Enclosure Dimensions (H.W.D): 15x9,1x9,2 in. D
(380x230x233mm D)
- * Shipping Weight: 14 lbs. (6,5 kg.)

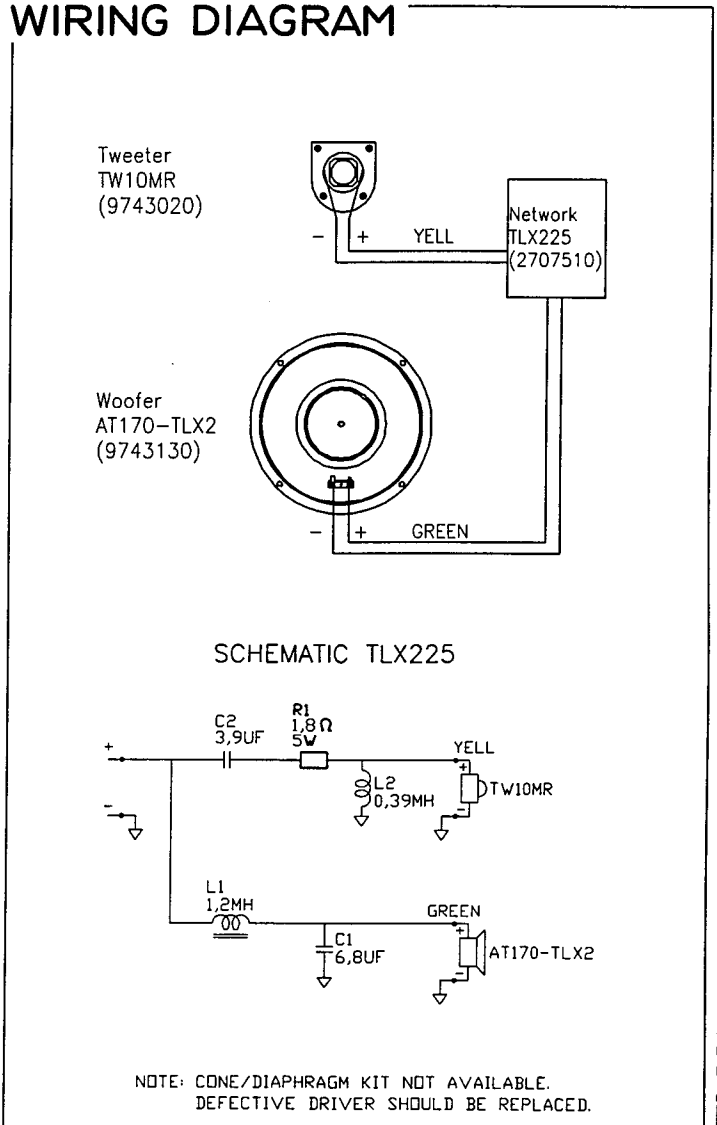
WARRANTY INFORMATION:

- * Refer to the Warranty Statement packed with each product

PACKAGE



WIRING DIAGRAM



TLX225

Valid from serial no. 01001
Rev. 13/1-1997

TLX225

COMPONENT EXPLODED VIEW

