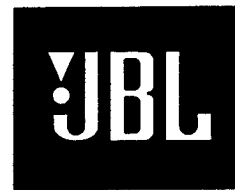


TLX181



SPECIFICATIONS

ACOUSTIC & ELECTRICAL SPECIFICATIONS:

- * Nominal Impedance: 8 ohm
- * Recommended Amp Power: 10-200W
- * Frequency Response: 35 Hz - 20 kHz (-6dB)
- * Sensitivity: 90 dB / 2,83V / 1 m
- * Crossover frequency: 600Hz / 4 kHz

SYSTEM COMPONENTS:

- * Cabinet: CTLX181 (Not for sale)
- * Grille: GLX181 (2407820)
- * Woofer: A0910A 240mm0mm Woofer
Polymer laminate cone
- * Midrange: A0904A 100mm Midrange
Polymer laminate cone

SYSTEM COMPONENTS: (cont'd)

- * Tweeter: TW010 10mm
Titanium Dome Tweeter
- * Crossover Network: NTLX181 (2707760)

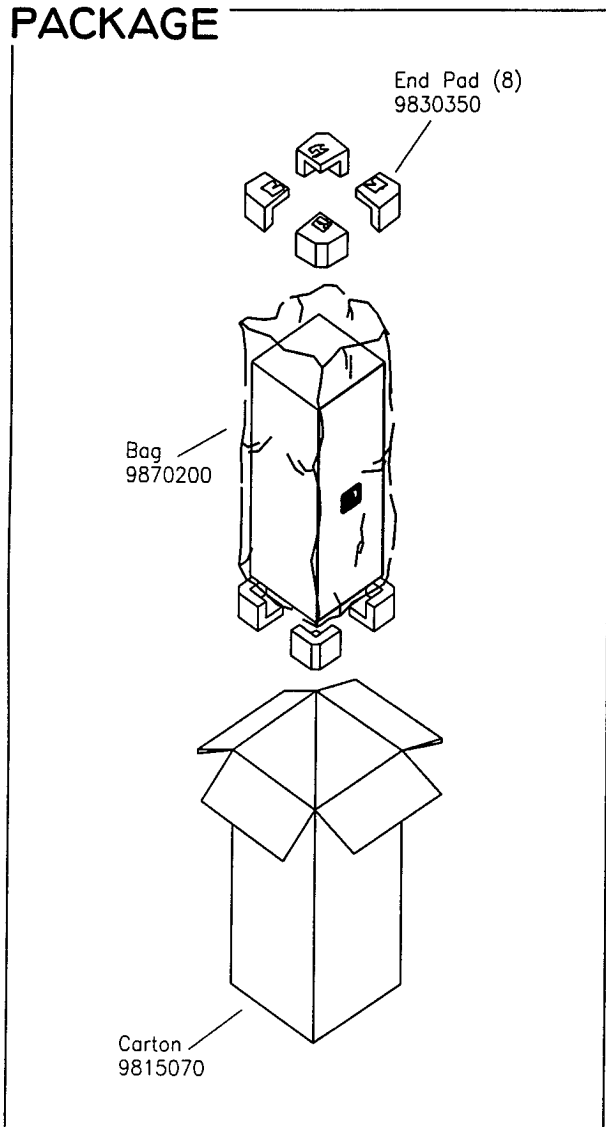
PHYSICAL SPECIFICATIONS:

- * Enclosure Dimensions (H.W.D): 37,4x11,8x12,4 in. D
(950x300x315mm D)
- * Shipping Weight: 47,5 lbs. (21,5 kg.)

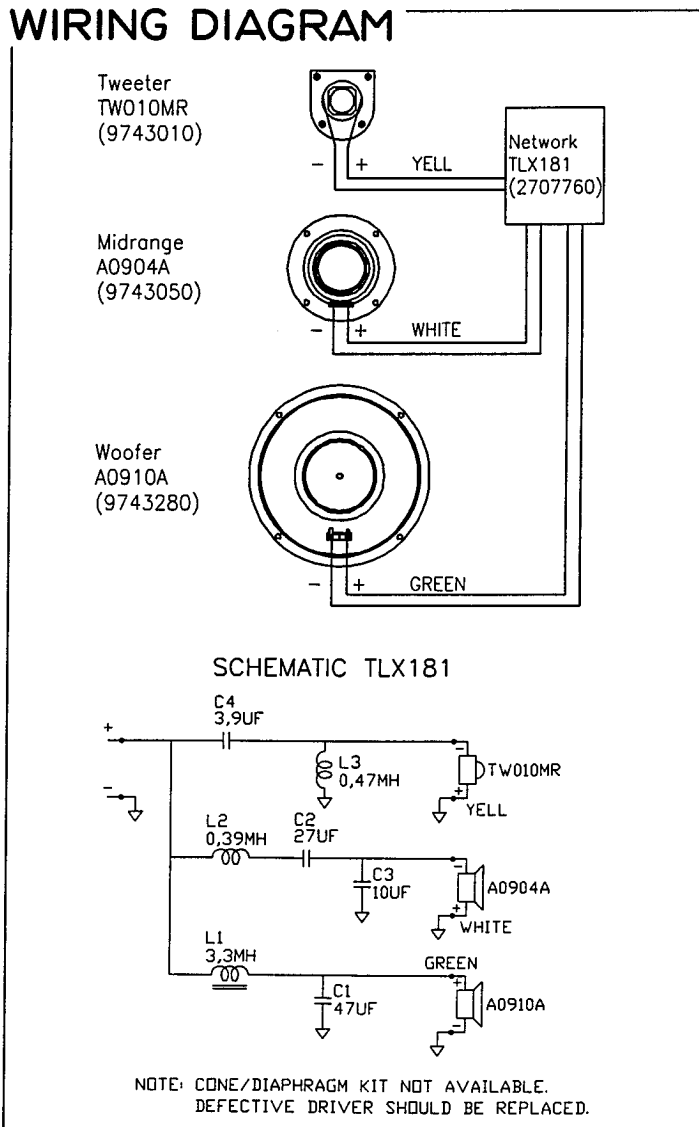
WARRANTY INFORMATION:

- * Refer to the Warranty Statement packed with each product

PACKAGE



WIRING DIAGRAM

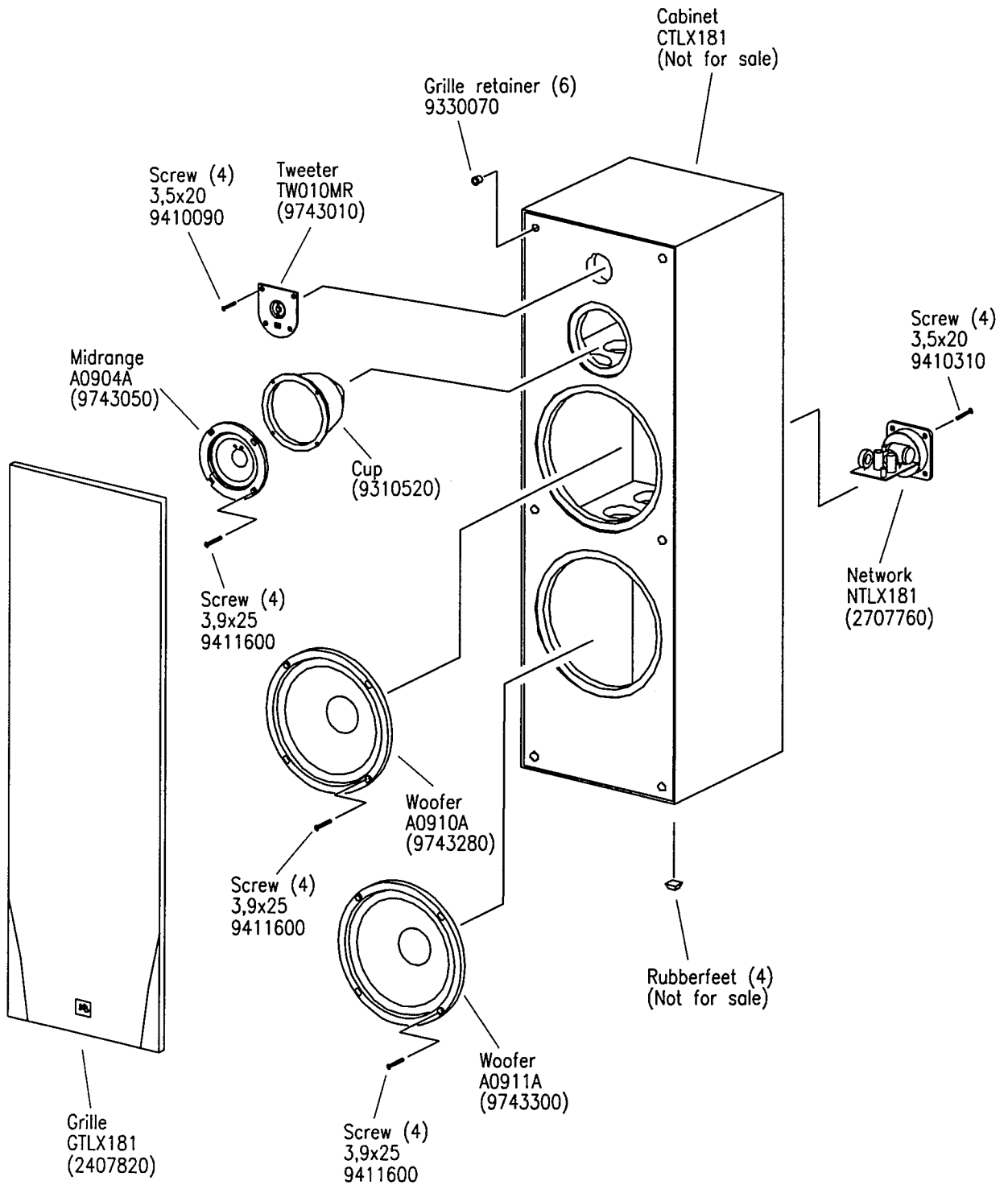


TLX181

Valid from serial no. 10201
Rev. 19/8-1996

TLX181

COMPONENT EXPLODED VIEW



TLX181