

# TLX161

## SPECIFICATIONS

### ACOUSTIC & ELECTRICAL SPECIFICATIONS:

- \* Nominal Impedance: 8 ohm
- \* Recommended Amp Power: 10-175W
- \* Frequency Response: 45 Hz - 20 kHz (-6dB)
- \* Sensitivity: 90 dB / 2,83V / 1 m
- \* Crossover frequency: 600HZ / 4 kHz

### SYSTEM COMPONENTS:

- \* Cabinet: CTLX161 (Not for sale)
- \* Grille: GTLX161 (2407780)
- \* Woofer: A0910A 240mm Woofer  
Polymer laminate cone
- \* Midrange: A0904A 100mm Midrange  
Polymer laminat cone

### SYSTEM COMPONENTS: (cont'd)

- \* Tweeter: TW010MR 10mm  
Titanium Dome Tweeter
- \* Crossover Network: NTLX161 (2707760)

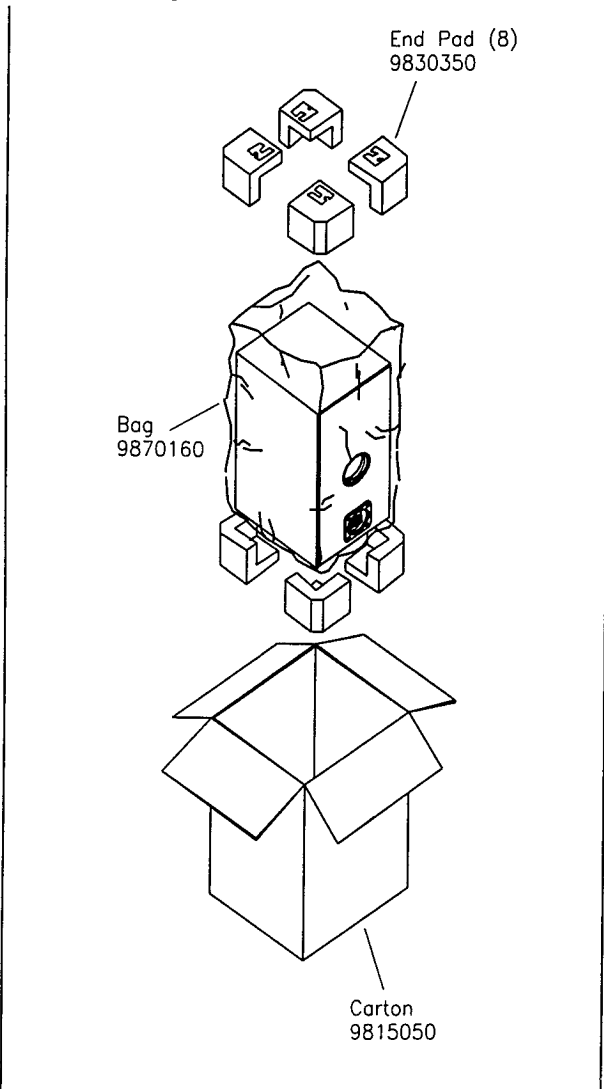
### PHYSICAL SPECIFICATIONS:

- \* Enclosure Dimensions (H.W.D): 22,8x11x12,4 in. D  
(580x280x315mm D)
- \* Shipping Weight: 32 lbs. (14,5 kg.)

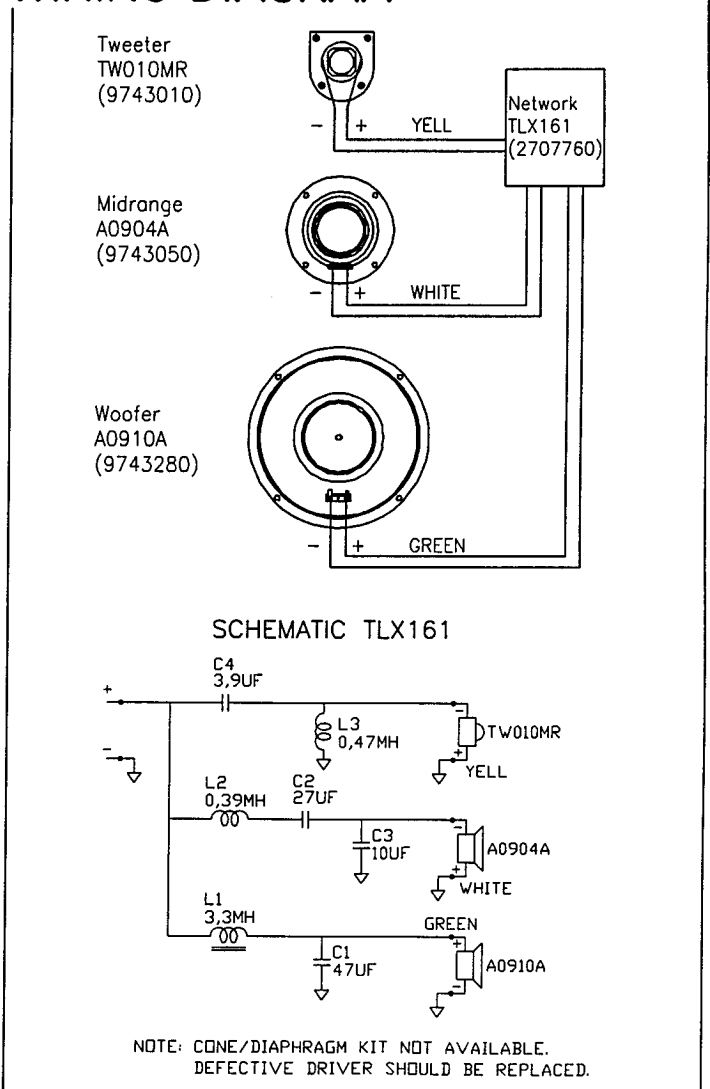
### WARRANTY INFORMATION:

- \* Refer to the Warranty Statement packed with each product

## PACKAGE



## WIRING DIAGRAM

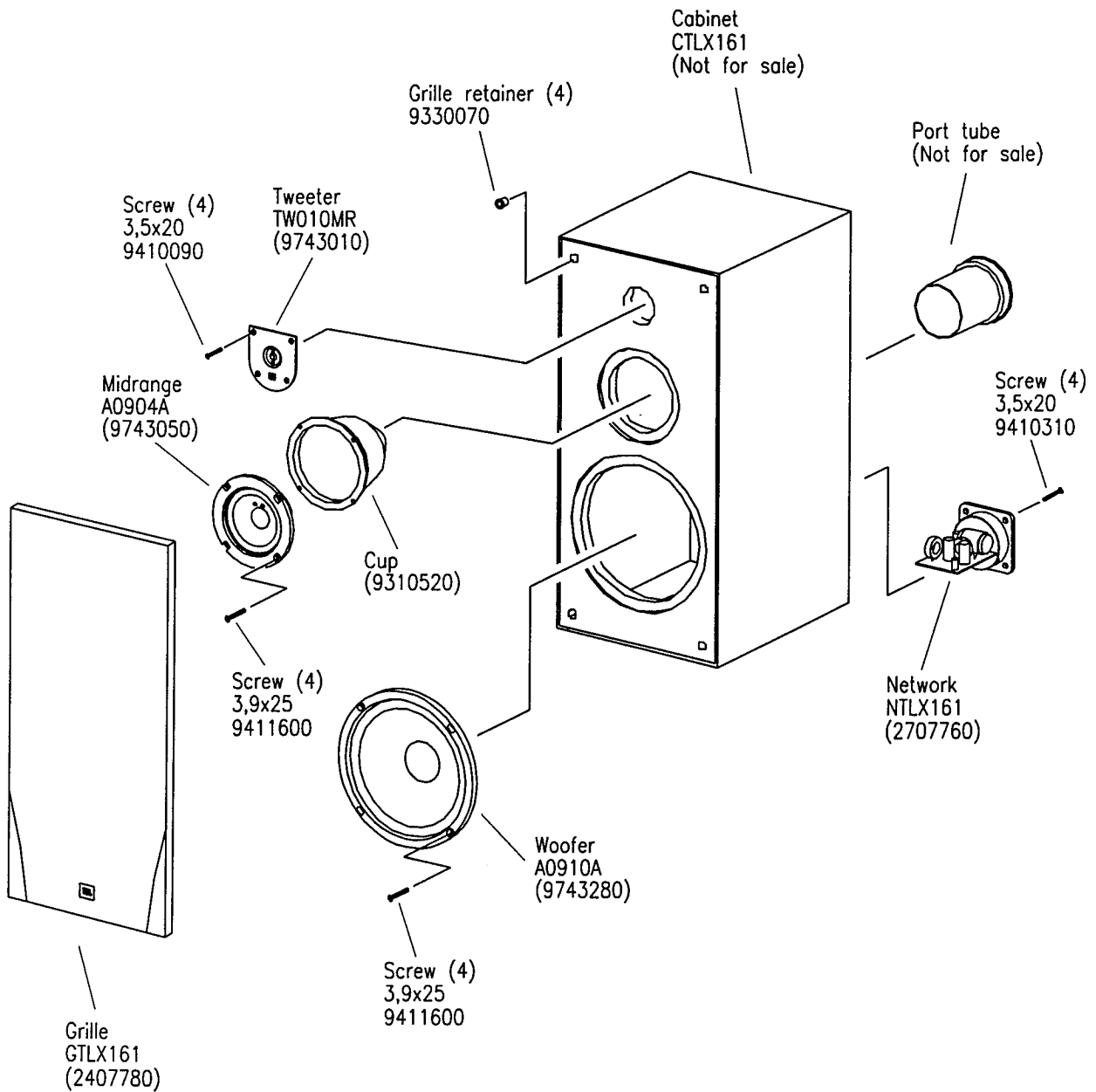


TLX161

Valid from serial no. 09501  
Rev. 19/8-1996

# TLX161

## COMPONENT EXPLODED VIEW



TLX161