

# TLX111



## SPECIFICATIONS

### ACOUSTIC & ELECTRICAL SPECIFICATIONS:

- \* Nominal Impedance: 8 ohm
- \* Recommended Amp Power: 10-75W
- \* Frequency Response: 75 Hz - 20 kHz (-6dB)
- \* Sensitivity: 88 dB / 2,83V / 1 m
- \* Crossover frequency: 4 kHz

### SYSTEM COMPONENTS:

- \* Cabinet: CTLX111 (Not for sale)
- \* Grille: GLX111 (2407720)
- \* Woofer: A0905A 130mm Woofer  
Polymer laminate cone

### SYSTEM COMPONENTS: (cont'd)

- \* Tweeter: TW010MR 10mm  
Titanium Dome Tweeter
- \* Crossover Network: NTLX111 (2707720)

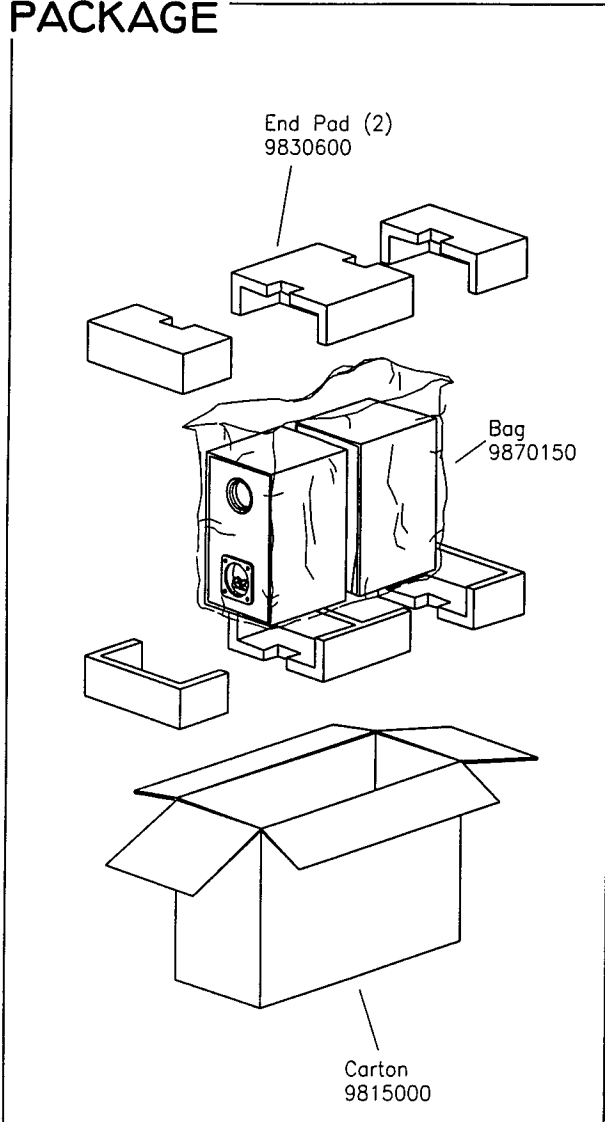
### PHYSICAL SPECIFICATIONS:

- \* Enclosure Dimensions (H.W.D): 11,8x6,7x8,5 in. D  
(300x170x215mm D)
- \* Shipping Weight: 20 lbs. (9 kg.)

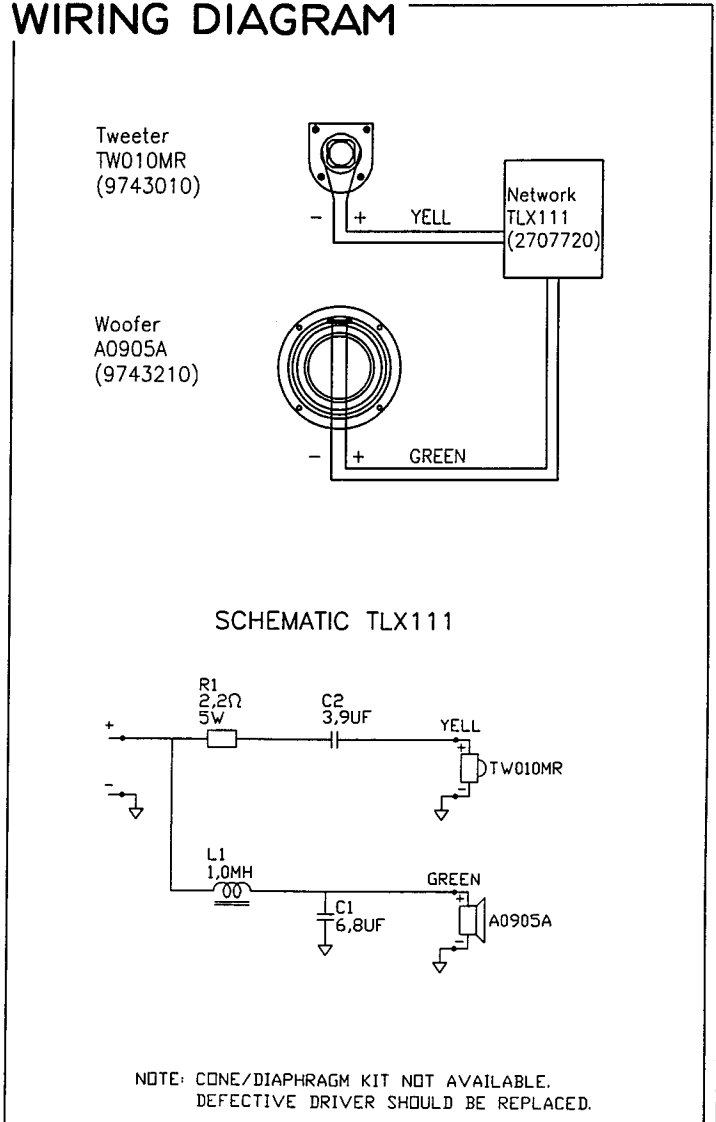
### WARRANTY INFORMATION:

- \* Refer to the Warranty Statement packed with each product

## PACKAGE



## WIRING DIAGRAM



TLX111

Valid from serial no. 28701  
Rev. 19/8-1996

## COMPONENT EXPLODED VIEW

