

TLX MOVIES CENTER/SURROUND



SPECIFICATIONS

CENTER

ACOUSTIC & ELECTRICAL SPECIFICATIONS:

- Nominal Impedance: 8 ohm
- Max Amp Power: 70W
- Frequency Response: 100 Hz – 20 kHz (-6 dB)
- Sensitivity: 89 dB SPL, 1 Watt @ 1 Meter
- Crossover Frequency: 9.0 kHz

SYSTEM COMPONENTS:

- Cabinet: TLX Movies (Center) (Not For Sale)
- Low Frequency Transducer: CT-249-S 4-1/2 in. (114mm) Hi-Polymer Laminate (2)
- DC Resistance: 7.0 ohm ±10%
- High Frequency Transducer: 2 in. (50mm) Paper Cone 72773-REV A
- DC Resistance: 7.0 ohm ±10%
- Crossover Network: JBEN01-S

AURAL SWEEP TEST SPECIFICATIONS:

- A. System Aural Sweep Test: 5.0V Input, 80 Hz to 20 kHz
- B. L.F. Aural Sweep Test: 5.0V Input, 80 Hz to 4 kHz
- C. H.F. Aural Sweep Test: 3.0V Input, 4 kHz to 20 kHz

PHYSICAL SPECIFICATIONS:

- Enclosure Dimensions: 6.0 x 16.0 x 6.25 in. D (152mm x 406mm x 159mm D)

SURROUND (2)

ACOUSTIC & ELECTRICAL SPECIFICATIONS:

- Nominal Impedance: 8 ohm
- Max Amp Power: 35W
- Frequency Response: 120 Hz – 16 kHz (-6 dB)
- Sensitivity: 87 dB SPL, 1 Watt @ 1 Meter

SYSTEM COMPONENTS:

- Cabinet: TLX Movies (Surround) (Not For Sale)
- Low Frequency Transducer: CT-350 4-1/2 in. (114mm) (Full Range) Hi-Polymer Laminate
- DC Resistance: 6.8 ohm ±10%
- Crossover Network: Terminal Cup JBEN00-S

AURAL SWEEP TEST SPECIFICATIONS:

- A. System Aural Sweep Test: 5.0V Input, 100 Hz to 16 kHz

PHYSICAL SPECIFICATIONS:

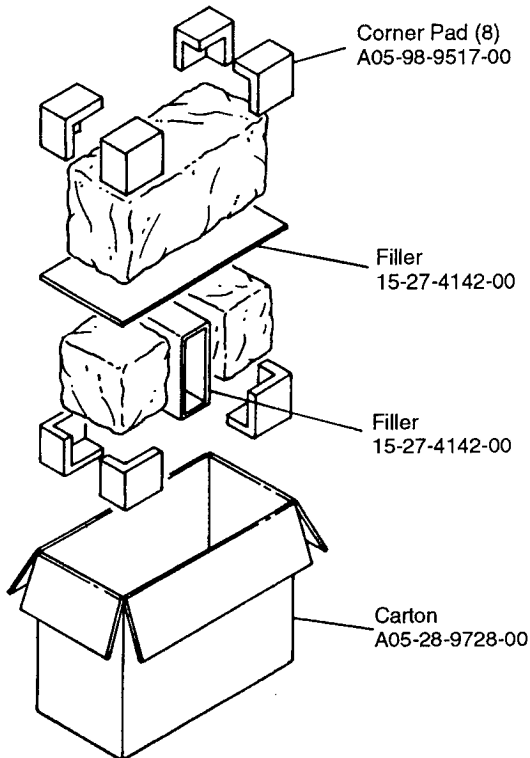
- Enclosure Dimensions: 6.0 x 6.37 x 5.5 in. D (152mm x 162mm x 140mm D)

WARRANTY INFORMATION:

- Refer to the Warranty Statement packed with each product

PACKAGE

Warranty 73885
Owner's Manual
A05-30-9537-00

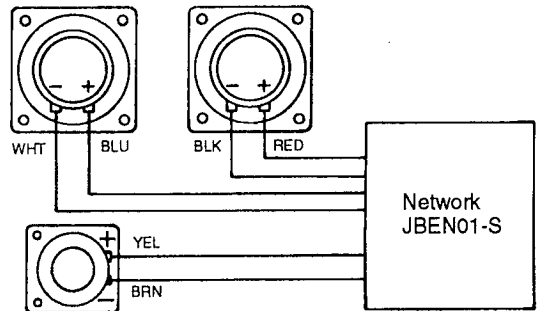


- Shipping Weight: 19 lbs. (8.7 kg.)

WIRING DIAGRAM

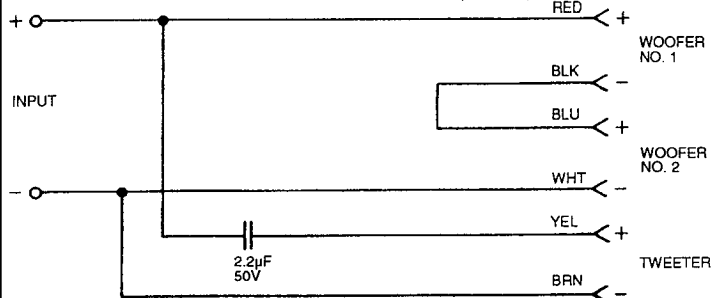
CENTER

Driver, Low Freq (2)
CT-249-S



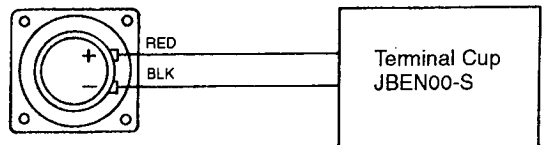
Driver, High Freq
72773-REV A

SCHEMATIC TLX MOVIES (Center)



SURROUND (2)

Driver, Low Freq
CT-350



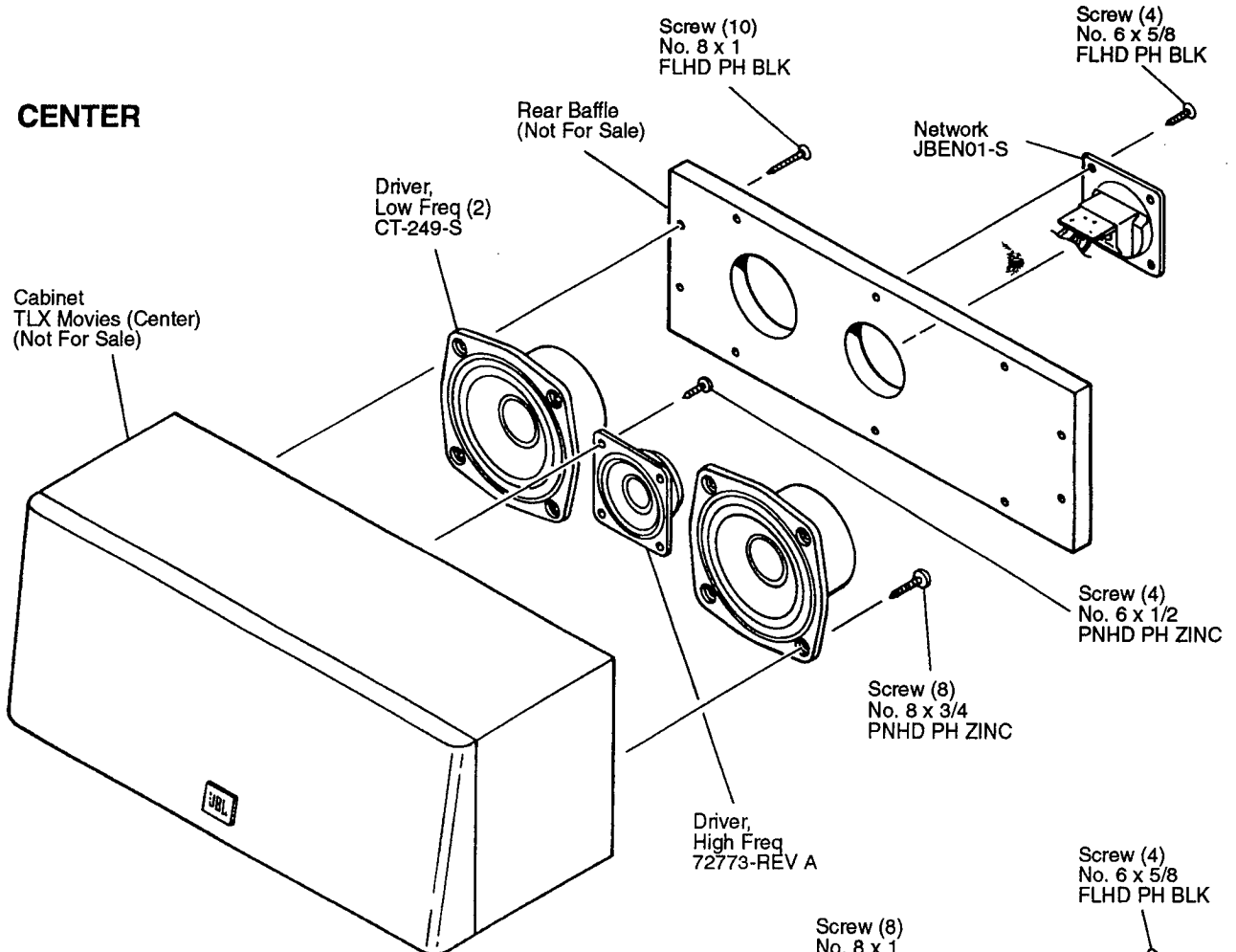
NOTE: CONE/DIAPHRAGM KIT NOT AVAILABLE. DEFECTIVE SPEAKER SHOULD BE REPLACED.

TLX MOVIES

TLX MOVIES

COMPONENT EXPLODED VIEW

CENTER



SURROUND (2)

