

Ti5000



SPECIFICATIONS

ACOUSTIC & ELECTRICAL SPECIFICATIONS:

- * Nominal Impedance: 6 ohm
- * Recommended Amp Power: 50-300W
- * Frequency Response: 30 Hz - 30 kHz (-6dB)
- * Sensitivity: 91 dB / 2,83V / 1 m
- * Crossover frequency: 300 Hz and 3 kHz

SYSTEM COMPONENTS:

- * Cabinet: CTI5000 (Not for sale)
- * Grille: GTI5000 (240511)
- * Woofer: LE120H 300mm Woofer
75mm voice coil
- DC Resistance: 5,9 ohm
- * Midrange: 705G 130mm Midrange
30mm voice coil

SYSTEM COMPONENTS: (cont'd)

- DC Resistance: 4,4 ohm
- * Tweeter: 050TI 25mm
Titanium Dome Tweeter
- DC Resistance: 3,8 ohm
- * Crossover Network: NTI5000 (270508)

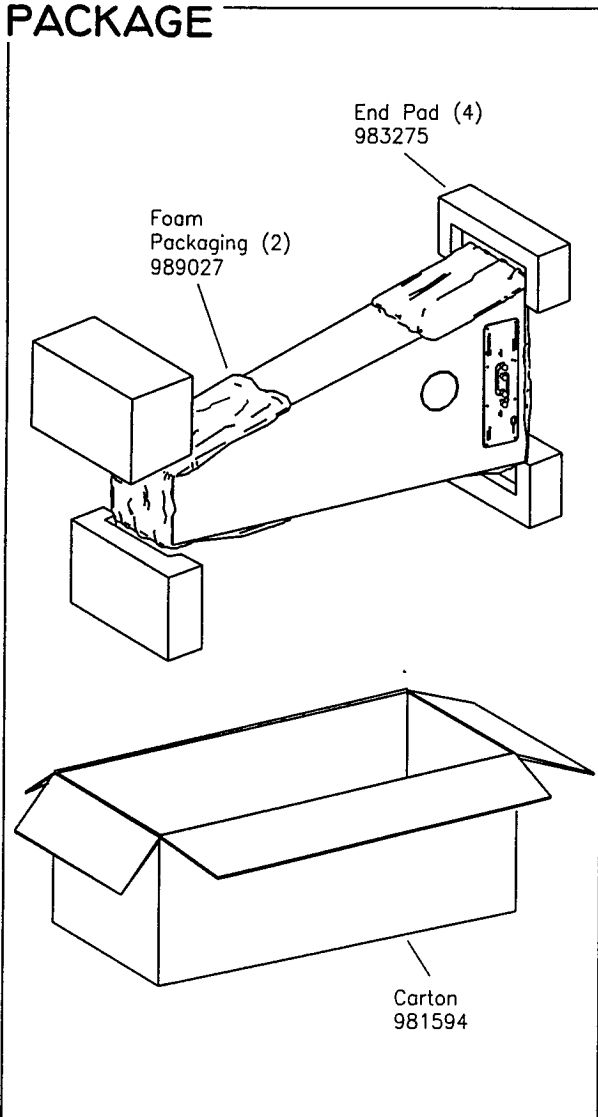
PHYSICAL SPECIFICATIONS:

- * Enclosure Dimensions (H.W.D): 45-1/8x18-7/8x15 In. D
(1147x480x380mm D)
- * Shipping Weight: 128 lbs. (58 kg.)

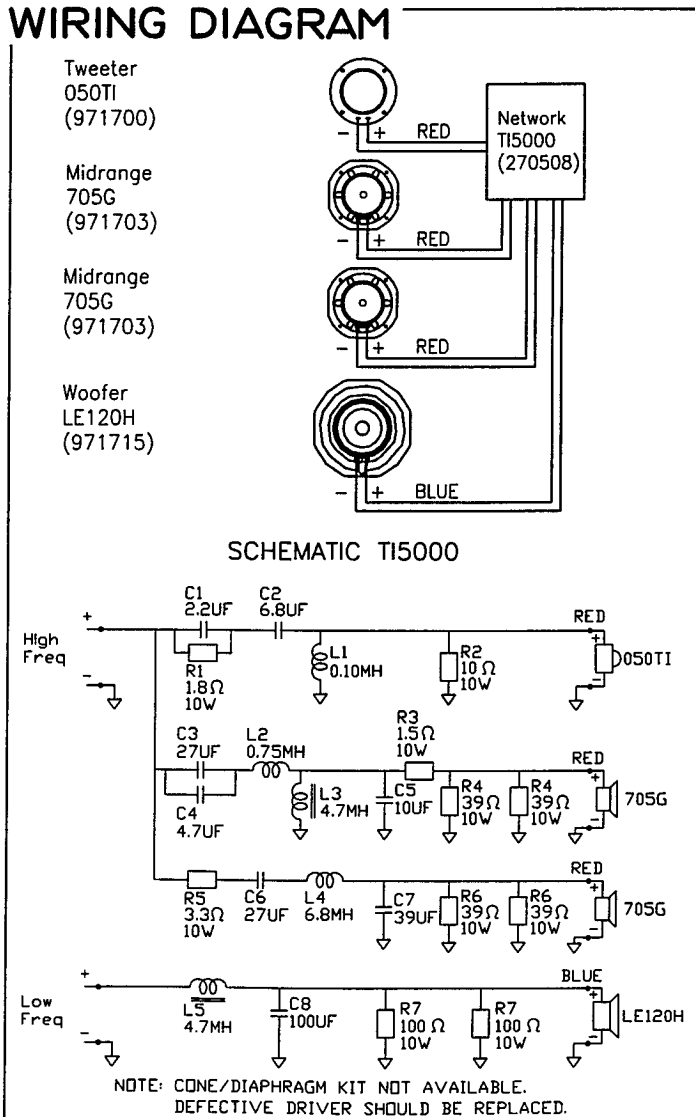
WARRANTY INFORMATION:

- * Refer to the Warranty Statement packed with each product

PACKAGE



WIRING DIAGRAM



Ti5000

Ti5000

COMPONENT EXPLODED VIEW

