



Ti3000

SPECIFICATIONS

ACOUSTIC & ELECTRICAL SPECIFICATIONS:

- * Nominal Impedance: 6 ohm
- * Recommended Amp Power: 50-200W
- * Frequency Response: 40 Hz - 30 kHz (-6dB)
- * Sensitivity: 90 dB / 2,83V / 1 m
- * Crossover frequency: 350 Hz and 3 kHz

SYSTEM COMPONENTS:

- * Cabinet: CTI3000 (Not for sale)
- * Grille: GTI3000 (240505)
- * Woofer: 710H 250mm Woofer
50mm voice coil
- DC Resistance: 5,3 ohm
- * Midrange: 705G 130mm Midrange
30mm voice coil

SYSTEM COMPONENTS: (cont'd)

- DC Resistance: 4,4 ohm
- * Tweeter: 050TI 25mm
Titanium Dome Tweeter
- DC Resistance: 3,8 ohm
- * Crossover Network: NTI3000 (270503)

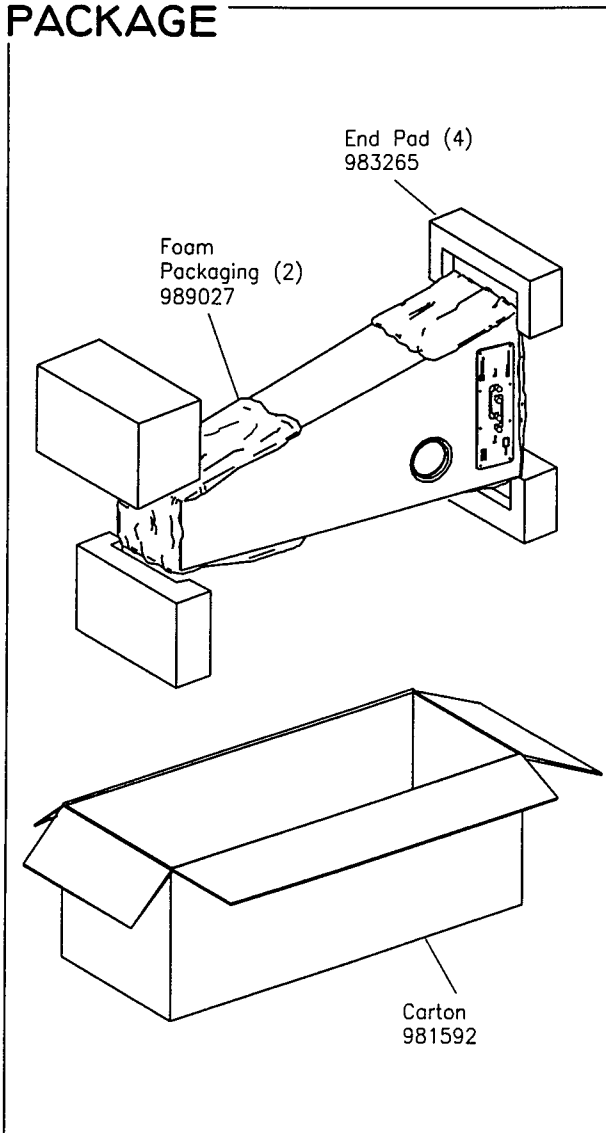
PHYSICAL SPECIFICATIONS:

- * Enclosure Dimensions (H.W.D): 41-3/8x18-1/8x13-3/4 In. D
(1050x460x350mm D)
- * Shipping Weight: 88 lbs. (40 kg.)

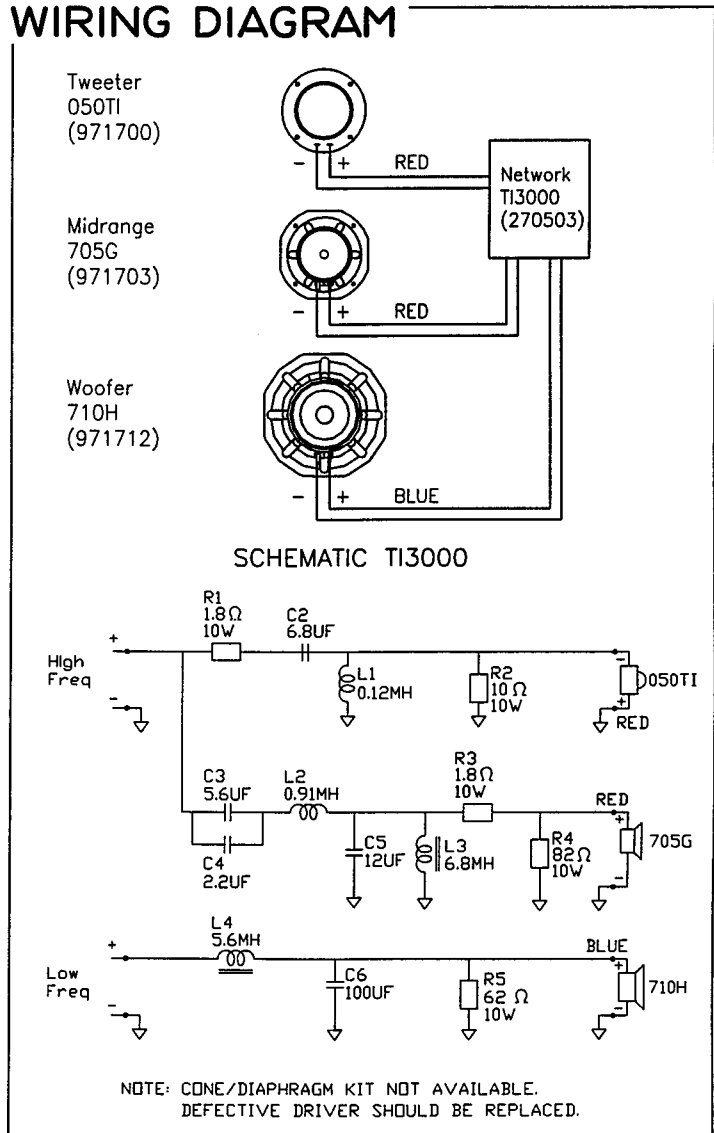
WARRANTY INFORMATION:

- * Refer to the Warranty Statement packed with each product

PACKAGE



WIRING DIAGRAM



Ti3000

Ti3000

COMPONENT EXPLODED VIEW

