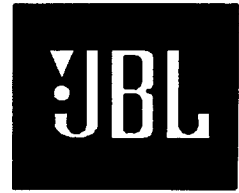


Technical Manual

Ti1000



SPECIFICATIONS

ACOUSTIC & ELECTRICAL SPECIFICATIONS:

- * Nominal Impedance: 4 ohm
- * Recommended Amp Power: 50-150W
- * Frequency Response: 50 Hz - 30 kHz (-6dB)
- * Sensitivity: 89 dB / 2,83V / 1 m
- * Crossover frequency: 3 kHz

SYSTEM COMPONENTS:

- * Cabinet: CT1000 (Not for sale)
- * Grille: GT1000 (240499)
- * Woofer: 706G 165mm Woofer
37mm voice coil
- DC Resistance: 3,8 ohm

SYSTEM COMPONENTS: (cont'd)

- * Tweeter: 050TI 25mm
Titanium Dome Tweeter
- DC Resistance: 3,8 ohm
- * Crossover Network: NTI1000 (270496)

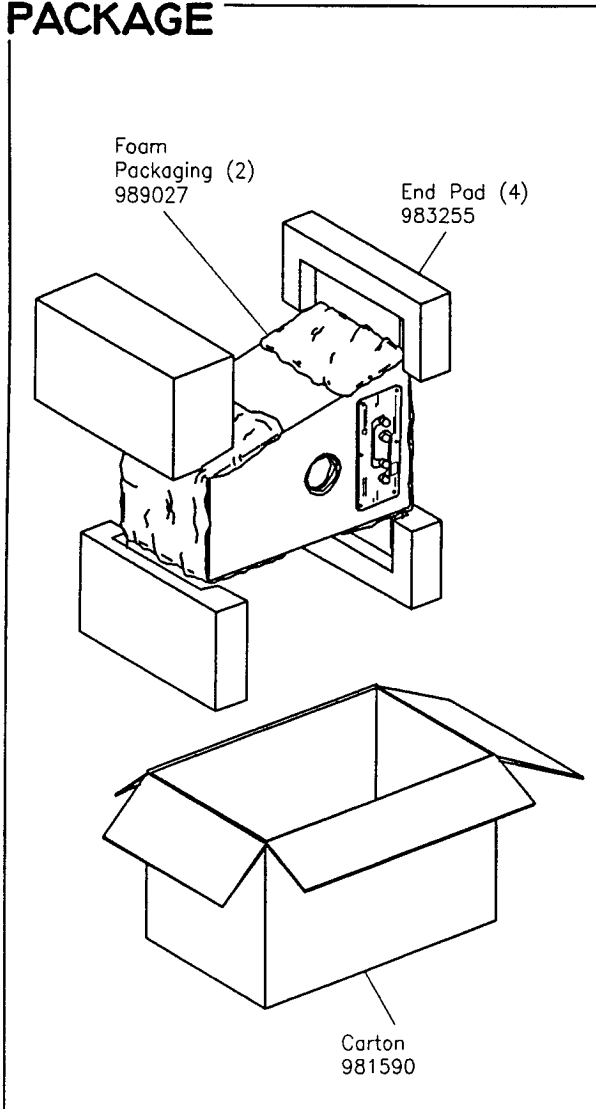
PHYSICAL SPECIFICATIONS:

- * Enclosure Dimensions (H.W.D): 17.72x10.43x9.25 In. D
(450x265x235mm D)
- * Shipping Weight: 35.3 lbs. (16 kg.)

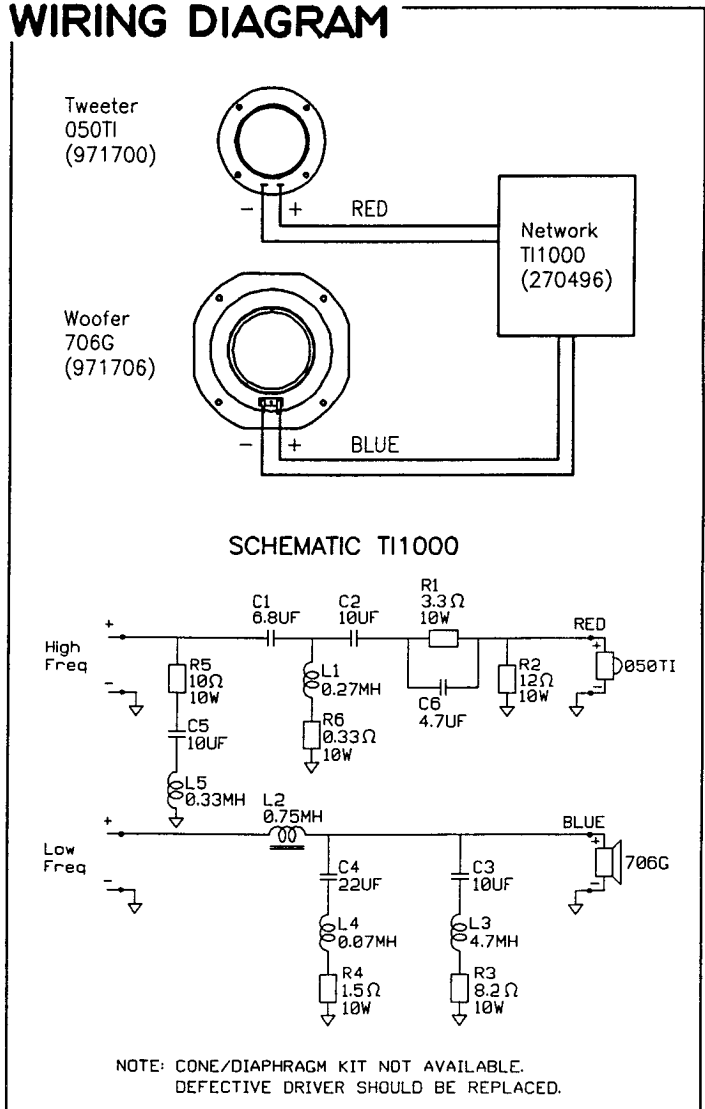
WARRANTY INFORMATION:

- * Refer to the Warranty Statement packed with each product

PACKAGE



WIRING DIAGRAM



Ti1000

5-95 REV A

Ti1000

COMPONENT EXPLODED VIEW

