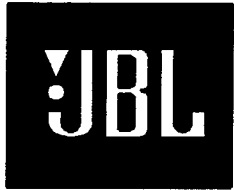


Technical Manual

TLX111



SPECIFICATIONS

ACOUSTIC & ELECTRICAL SPECIFICATIONS:

- * Nominal Impedance: 8 ohm
- * Recommended Amp Power: 10-75W
- * Frequency Response: 75 Hz - 20 kHz (-6dB)
- * Sensitivity: 88 dB / 2,83V / 1 m
- * Crossover frequency: 4 kHz

SYSTEM COMPONENTS:

- * Cabinet: CTLX111 (Not for sale)
- * Grille: GTLX111 (2407720)
- * Woofer: A0905A 130mm Woofer
Polymer laminate cone

SYSTEM COMPONENTS: (cont'd)

- * Tweeter: TW010MR 10mm
Titanium Dome Tweeter
- * Crossover Network: NTLX111 (2707720)

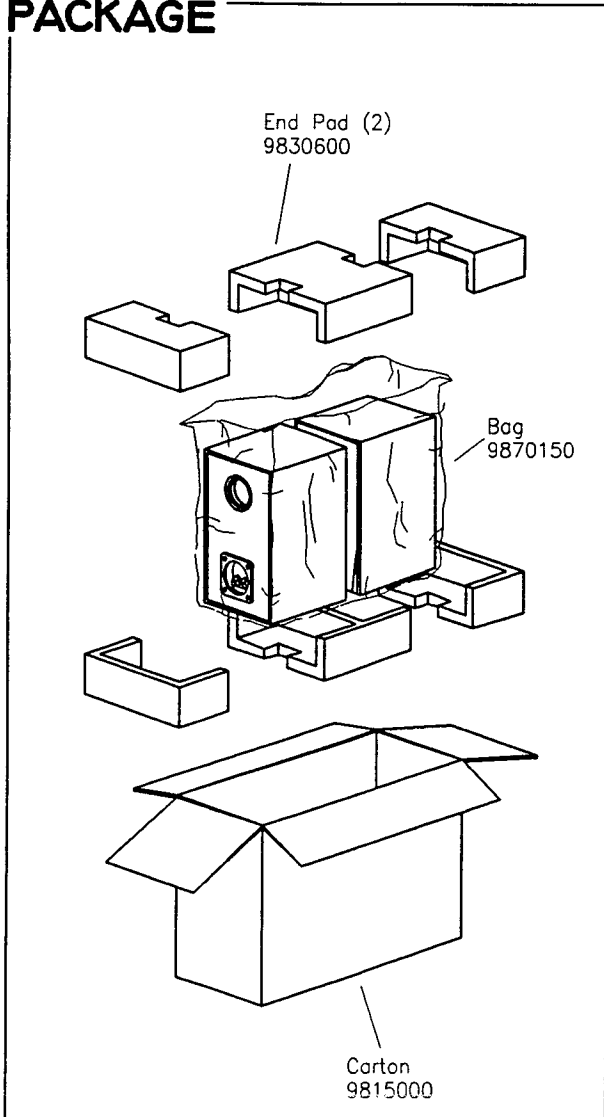
PHYSICAL SPECIFICATIONS:

- * Enclosure Dimensions (H.W.D): 11,8x6,7x8,5 In. D
(300x170x215mm D)
- * Shipping Weight: 8 lbs. (3,6 kg.)

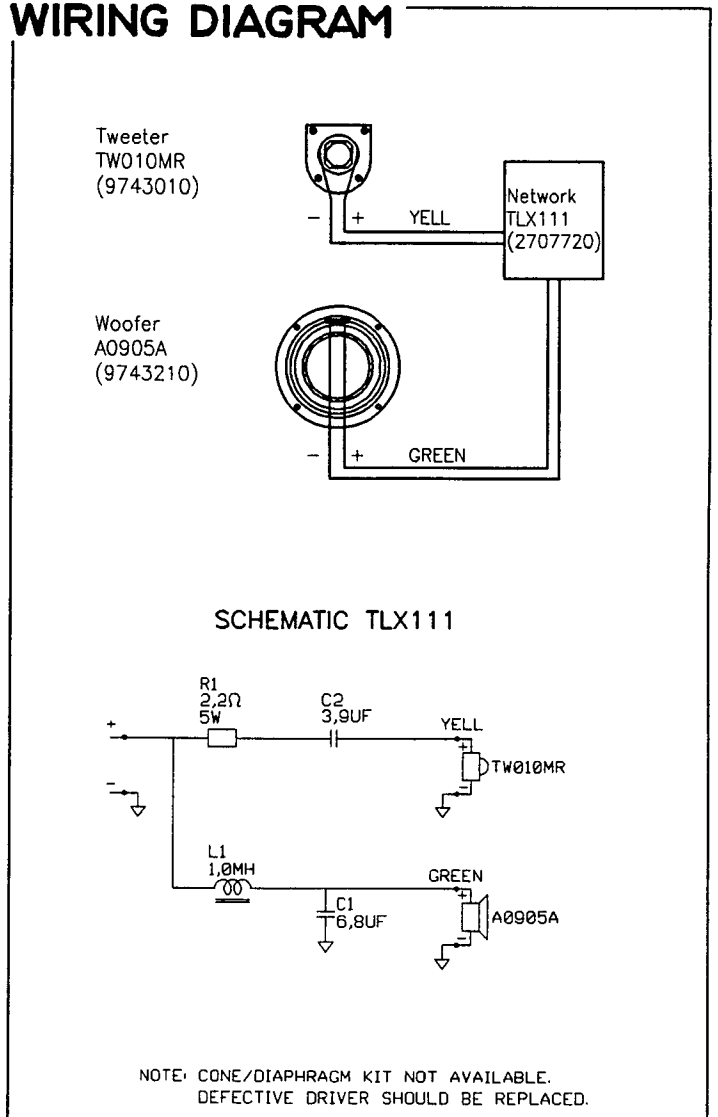
WARRANTY INFORMATION:

- * Refer to the Warranty Statement packed with each product

PACKAGE



WIRING DIAGRAM



TLX111

Valid from serial no. 12851
Rev. 18/12-1995

COMPONENT EXPLODED VIEW

