



SAT 1 L,R

SPECIFICATIONS

ACOUSTIC & ELECTRICAL SPECIFICATIONS:

- Nominal Impedance: 8 ohm
- Recommended Amp Power: 10W to 100W
- Frequency Response: 150 Hz to 20 kHz (± 3 dB)
- Sensitivity: 88 dB SPL*
- Crossover Frequency: 3.5 kHz (Nominal)

SYSTEM COMPONENTS:

- Cabinet: CSat1 L,R (Not For Sale)
- Grille: GSat1 L,R (75131)
- Low Frequency Transducer: SE3.5G 3-1/2 in. (90mm) Neodymium Magnet (74860-01)
- DC Resistance: 4.7 ohm $\pm 5\%$
- High Frequency Transducer: Titanium Composite Dome (75133-01)
- DC Resistance: 5.5 ohm $\pm 10\%$
- Crossover Network: NSat1 (75189)

AURAL SWEEP TEST SPECIFICATIONS:

- A. System Aural Sweep Test: 5.0V Input, 10 Hz to 20 kHz
- B. L.F. Aural Sweep Test: 5.0V Input, 10 Hz to 10 kHz
- C. H.F. Aural Sweep Test: 3.0V Input, 1 kHz to 20 kHz

PHYSICAL SPECIFICATIONS:

- Enclosure Dimensions: 6.5 x 3.75 x 4.25 in. D (Without Stand) (165mm x 95mm x 108mm D)
- Shipping Weight: 15 lbs. (6.8 kg.)

WARRANTY INFORMATION:

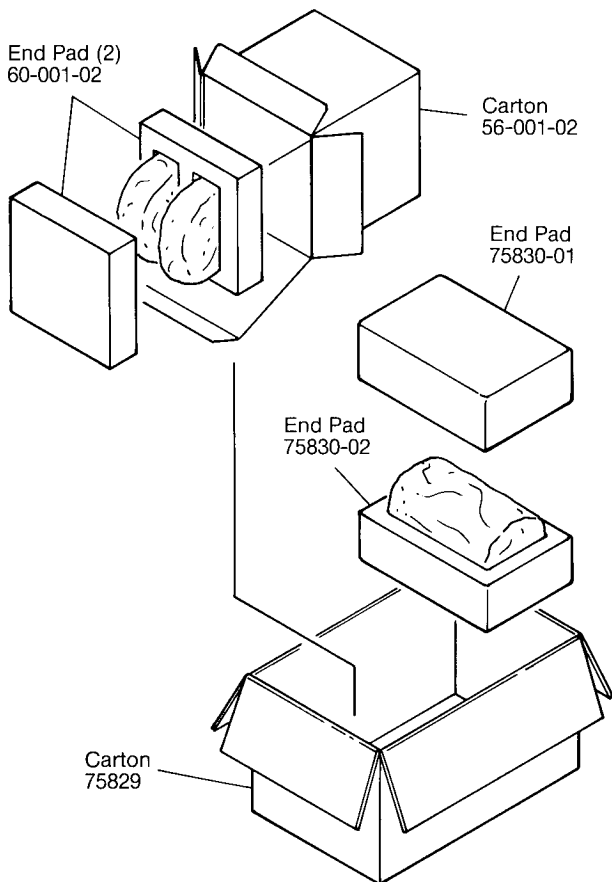
- Refer to the Warranty Statement packed with each product.

*1 Watt @ 1 Meter

PACKAGE

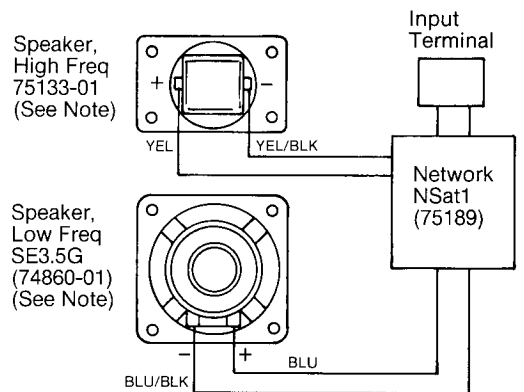
Warranty 76310
Movies 1 Owner's Manual 76309-01

MOVIES 1

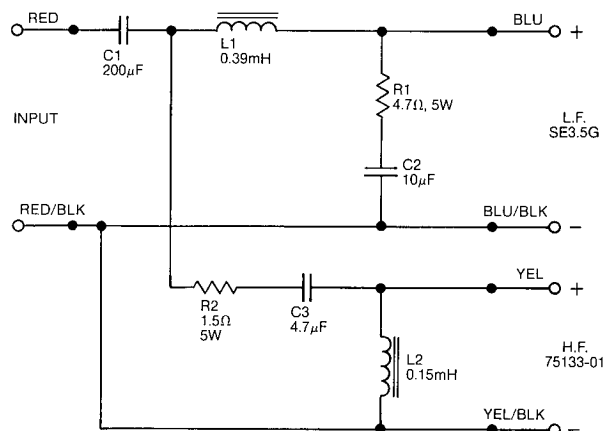


NOTE: SAT 1 L,R IS PART OF THE SOUND EFFECTS MUSIC 1 SPEAKER SYSTEM. SAT 1 R IS PART OF THE MOVIES 1 SPEAKER SYSTEM. MOVIES 1 PACKAGING SHOWN. SEE BASS 1 TECHNICAL MANUAL FOR MUSIC 1 PACKAGING.

WIRING DIAGRAM



SCHEMATIC NSAT1



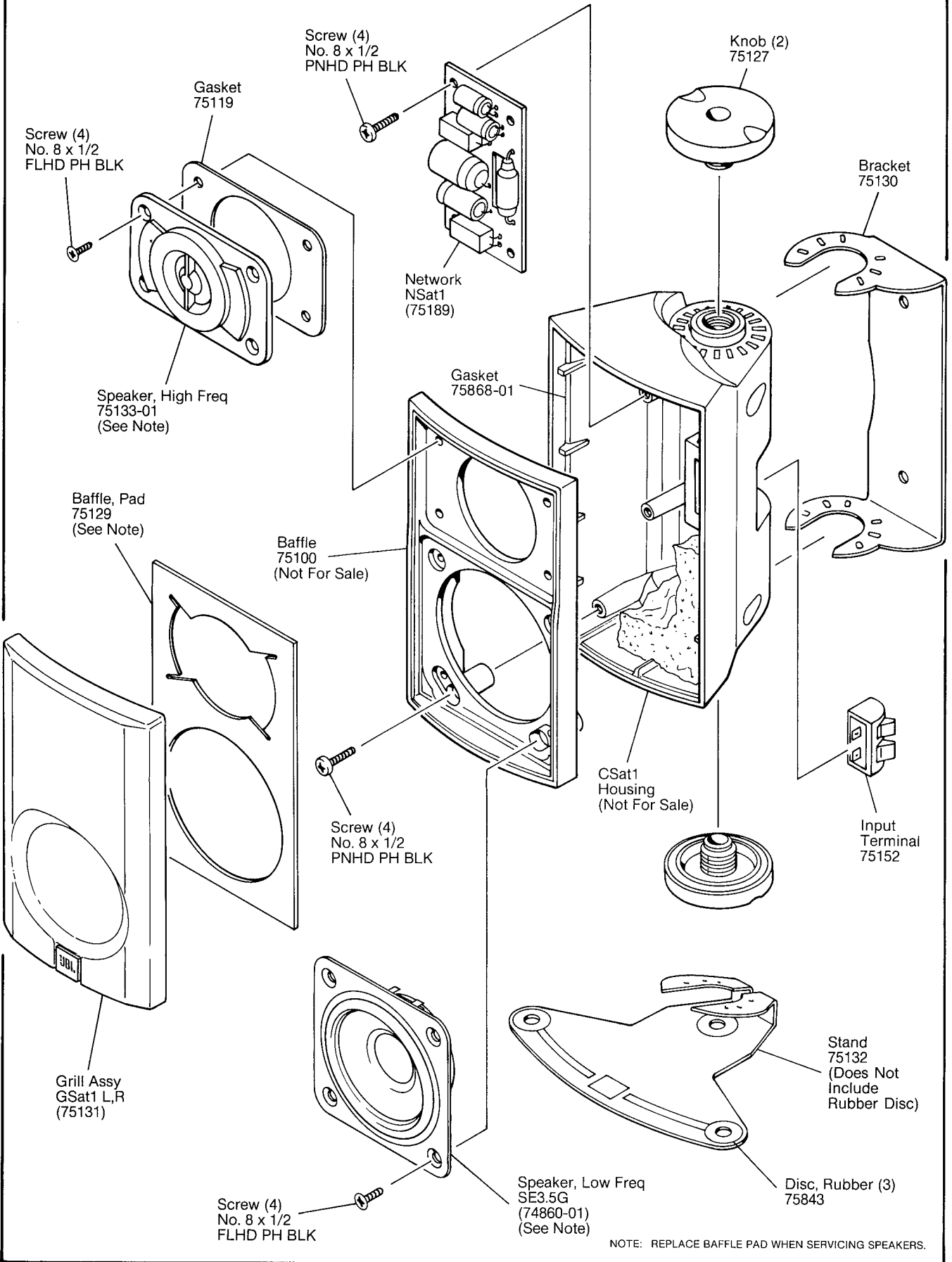
REPLACE BAFFLE PAD WHEN SERVICING SPEAKERS.

NOTE: CONE/DIAPHRAGM KIT NOT AVAILABLE. DEFECTIVE SPEAKER SHOULD BE REPLACED.

SAT 1 L,R

SAT 1 L,R

COMPONENT EXPLODED VIEW (Left SAT 1 Shown)



SAT 1 L,R