



# JBL S4

## SPECIFICATIONS

### ACOUSTIC & ELECTRICAL SPECIFICATIONS:

- Nominal Impedance: 4 ohm
- Power Rating: 10W to 100W
- Frequency Response: 125 Hz to 22 kHz
- Sensitivity: 88 dB SPL\*
- Crossover Frequencies: 3 kHz

### SYSTEM COMPONENTS:

- Cabinet: N/A
- Grille: 70197

\*1 Watt (2.83 V RMS) @ 1 Meter

### SYSTEM COMPONENTS: (cont'd)

- Low Frequency Transducer: 159mm (6.25 in.) High Polymer Laminate (506G-1)
- High Frequency Transducer: 25mm (1 in.) Pure Titanium Dome (026Ti)
- Crossover Network: 70547-01

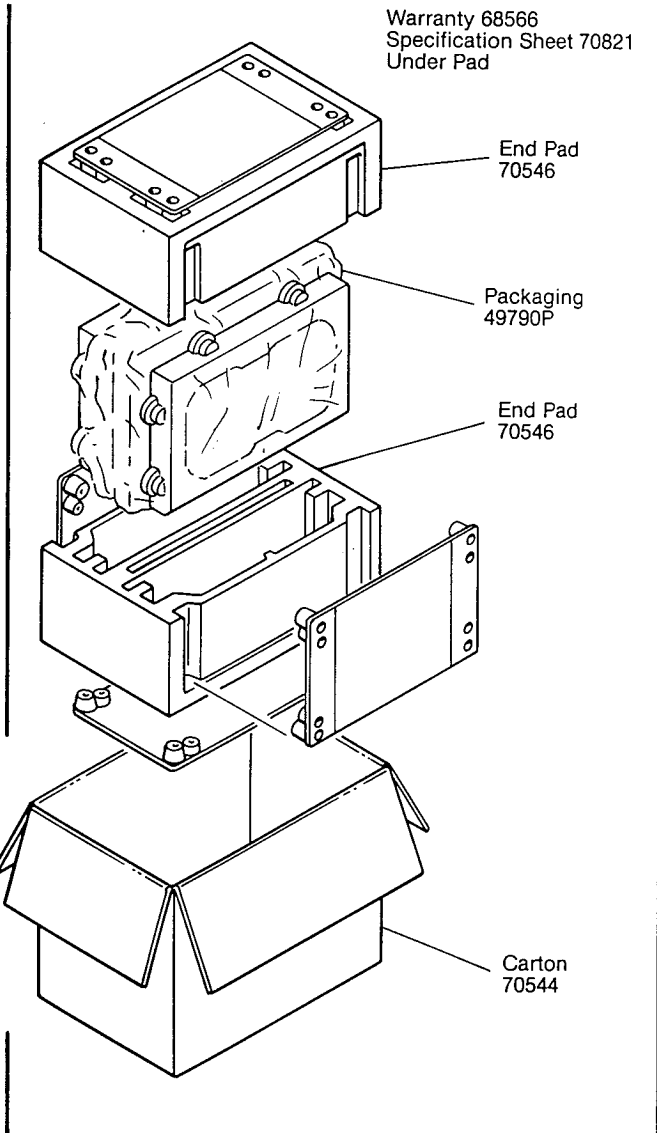
### PHYSICAL SPECIFICATIONS:

- Enclosure Dimensions: 305mm x 222mm x 92mm D (12.0 x 8.75 x 3.62 in. D)
- Shipping Weight: 16 lbs.

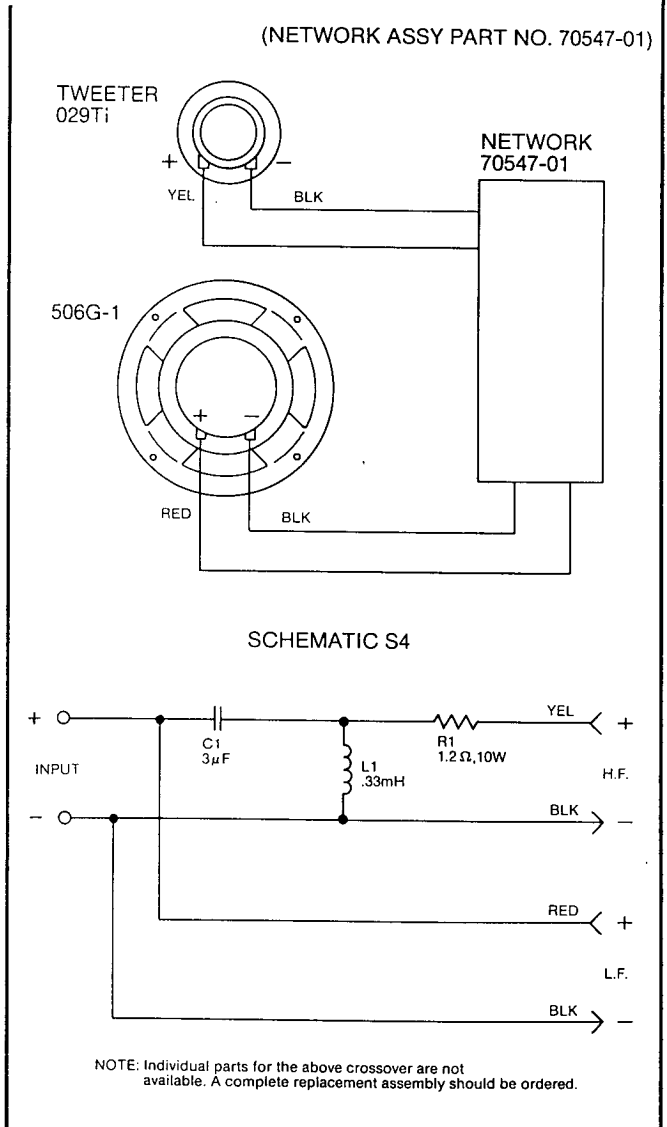
### WARRANTY INFORMATION:

- Refer to the Warranty Statement packed with each product.

## PACKAGE



## WIRING DIAGRAM



DRIVER	TEST VOLTAGE	SWEEP FREQUENCY	DCR MIN-MAX
029Ti	2	2KHZ-20KHZ	3.5-4.2 OHMS
506G-1	4	20HZ-1KHZ	4.2-4.7 OHMS

# JBL S4

## COMPONENT EXPLODED VIEW

