

S3VC

SPECIFICATIONS



ACOUSTIC & ELECTRICAL SPECIFICATIONS:

- Nominal Impedance: 8 ohm
- Power Handling: 150W
- Frequency Response: 70 Hz to 18 kHz (-3dB)
- Sensitivity: 87 dB SPL*
- Crossover Frequency: 2.2 kHz

SYSTEM COMPONENTS:

- Cabinet: CS3VC (Not For Sale)
- Grille: GS3VC (76334)
- Mid Frequency Transducer: 706G-1S 6.5 in. (165mm) Fiberglass Cone (73715-02) (2)
- DC Resistance: 3.5 ohm \pm 10%

*1 Watt @ 1 Meter

SYSTEM COMPONENTS: (cont'd)

- High Frequency Transducer: Horn/Driver 76316
- DC Resistance: 5.2 ohm \pm 10%
- Crossover Network: 76336

AURAL SWEEP TEST SPECIFICATIONS:

- A. System Aural Sweep Test: 6.0V Input, 20 Hz to 20 kHz
- B. M.F. Aural Sweep Test: 4.0V Input, 20 Hz to 3 kHz
- C. H.F. Aural Sweep Test: 2.0V Input, 1 kHz to 20 kHz

PHYSICAL SPECIFICATIONS:

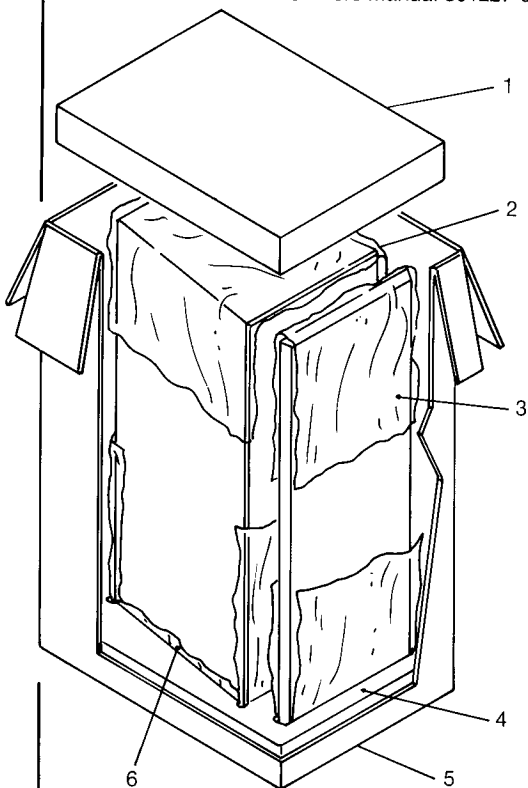
- Enclosure Dimensions: 27.37 x 10.18 x 12.62 in. D (695mm x 259mm x 321mm D)
- Shipping Weight: 39 lbs. (17.6 kg.)

WARRANTY INFORMATION:

- Refer to the Warranty Statement packed with each product.

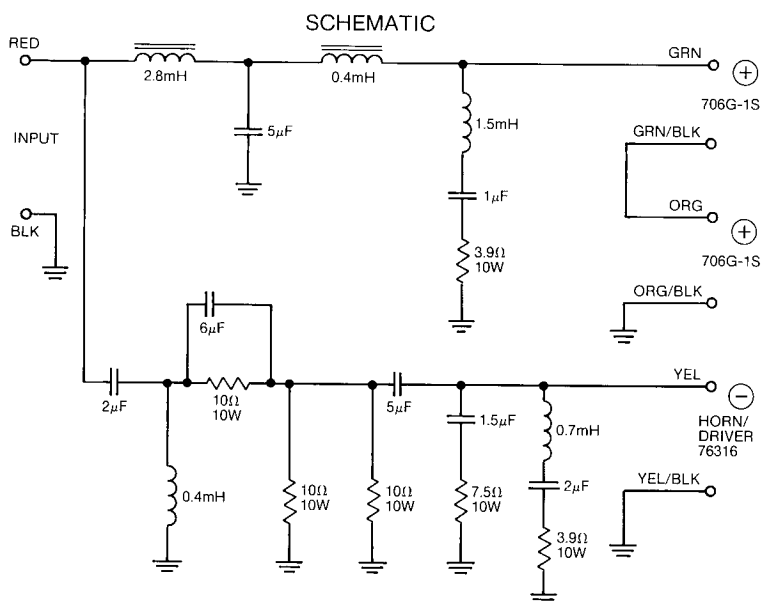
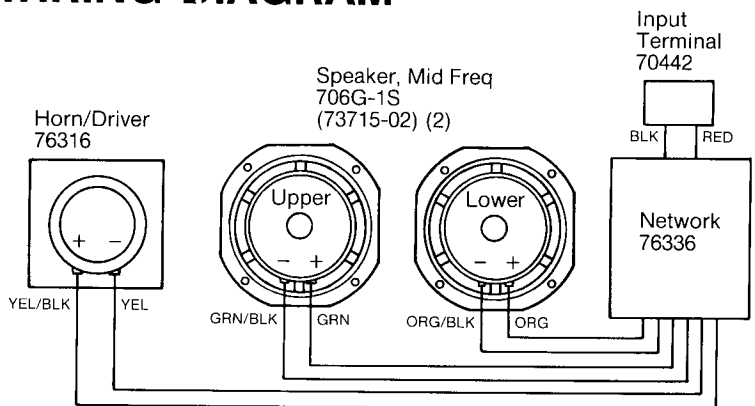
PACKAGE

Warranty 73885
Owners Manual 301227-001



- 1 End Pad, Top 76322
- 2 Microfoam Packaging 49790P (2)
- 3 Microfoam Packaging 74309 (2)
- 4 End Pad, Bottom 301018-001
- 5 Carton 76333
- 6 Fibercloth 72298-01 (2)

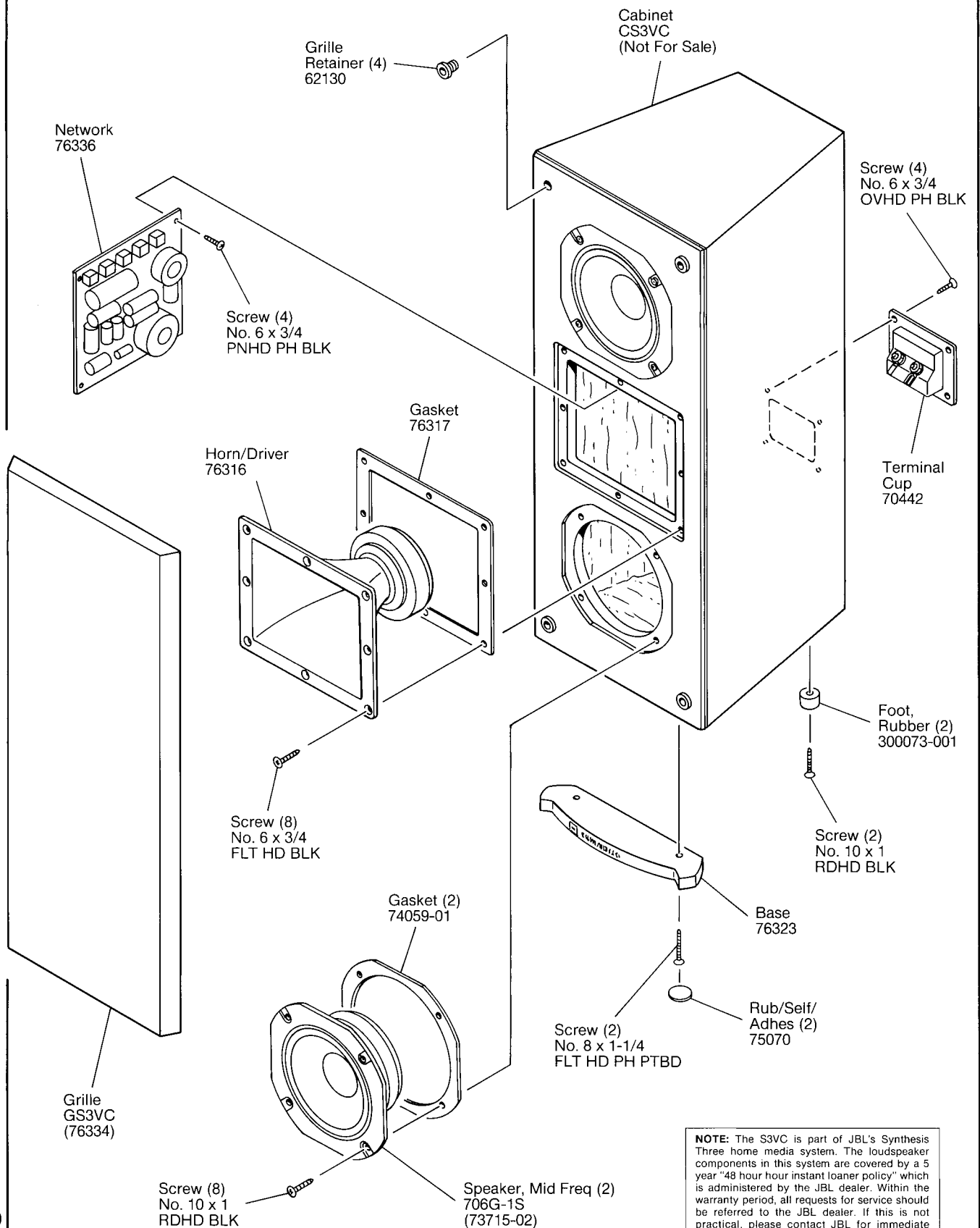
WIRING DIAGRAM



⊖ DENOTES INWARD CONE MOVEMENT WITH POSITIVE VOLTAGE TO RED INPUT TERMINAL.
⊕ DENOTES OUTWARD CONE MOVEMENT WITH POSITIVE VOLTAGE TO RED INPUT TERMINAL.
NOTE: CONE KIT NOT AVAILABLE. DEFECTIVE SPEAKER SHOULD BE REPLACED.

S3VC

COMPONENT EXPLODED VIEW



NOTE: The S3VC is part of JBL's Synthesis Three home media system. The loudspeaker components in this system are covered by a 5 year "48 hour instant loaner policy" which is administered by the JBL dealer. Within the warranty period, all requests for service should be referred to the JBL dealer. If this is not practical, please contact JBL for immediate action.