



S2S

SPECIFICATIONS

ACOUSTIC & ELECTRICAL SPECIFICATIONS:

- Nominal Impedance: 8 ohm
- Power Capacity: 200W
- Frequency Range: 35 Hz to 80 kHz
- Sensitivity: 94 dB SPL*
- Crossover Frequencies: 80 Hz Active N/A

SYSTEM COMPONENTS:

- Cabinet: CS2S
- Grille: GS2S
- Low Frequency Transducer: 136HS 15 in. (380mm) Cone Transducer
- DC Resistance: 6.0 ohm \pm 10% Aluminum Wire
- Crossover Network: NS2S

AURAL SWEEP TEST SPECIFICATIONS:

A. L.F. Aural Sweep Test: 10.0V Input, 20 Hz to 1.2 kHz

PHYSICAL SPECIFICATIONS:

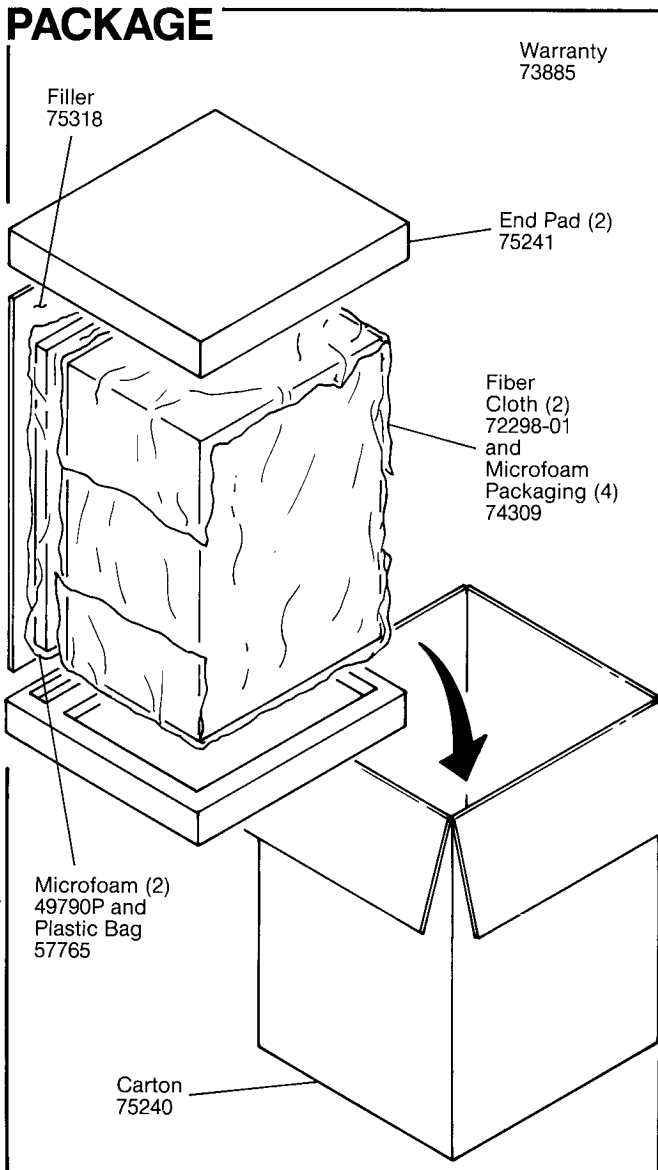
- Enclosure Dimensions: 27.5 x 21.0 x 15.78 in. D (699mm x 533mm x 401mm D)
- Shipping Weight: 115 lbs. (52.1 kg.)

WARRANTY INFORMATION:

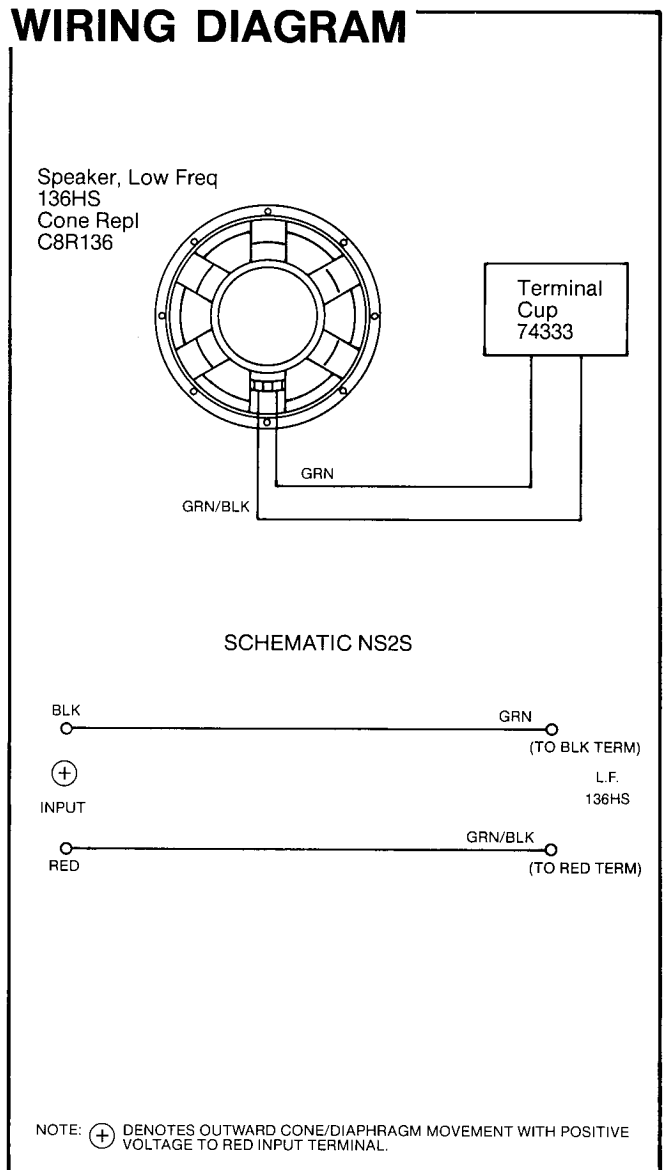
- Refer to the Warranty Statement packed with each product.

*1 Watt @ 1 Meter

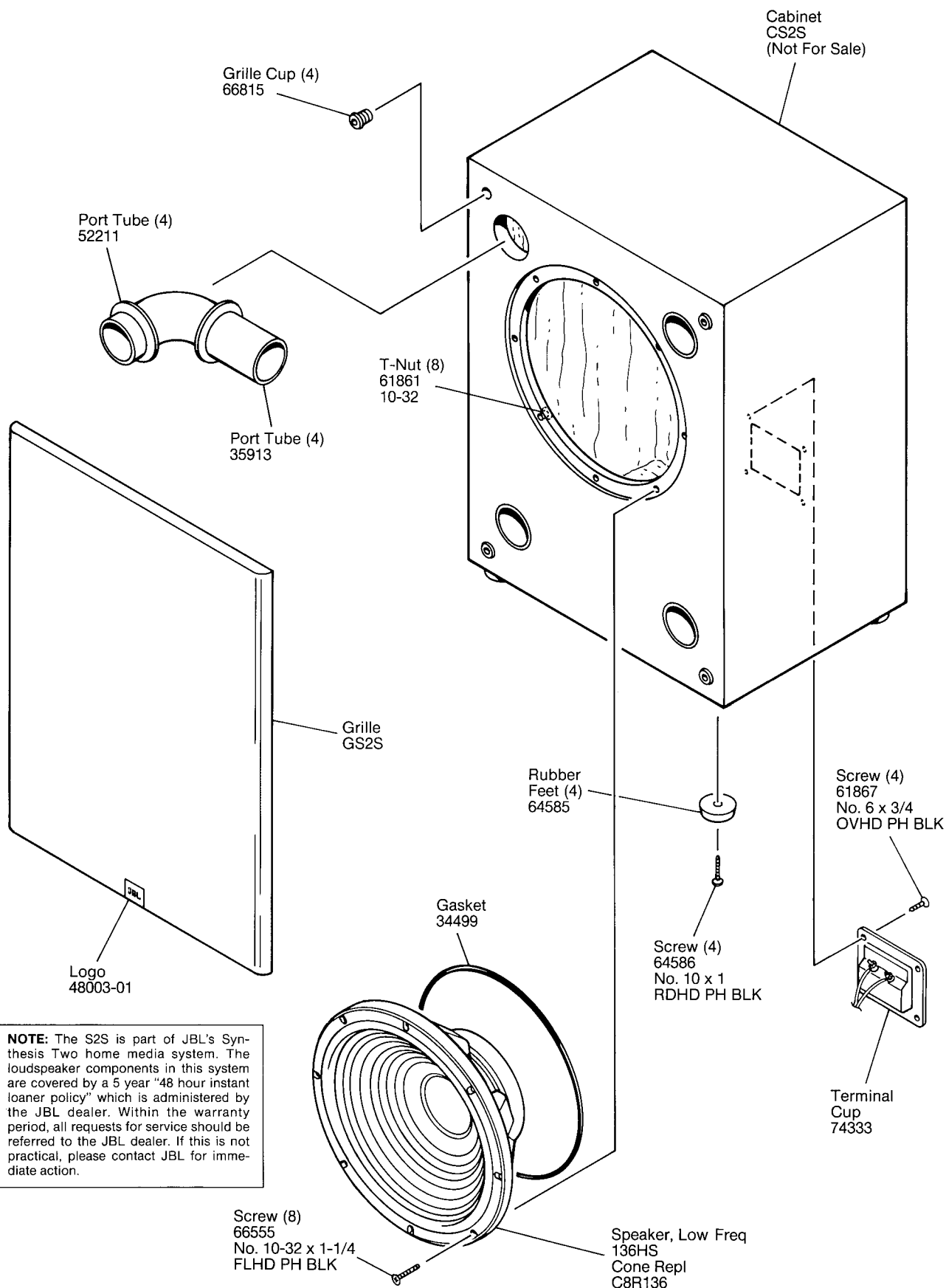
PACKAGE



WIRING DIAGRAM



COMPONENT EXPLODED VIEW



NOTE: The S2S is part of JBL's Synthesis Two home media system. The loudspeaker components in this system are covered by a 5 year "48 hour instant loaner policy" which is administered by the JBL dealer. Within the warranty period, all requests for service should be referred to the JBL dealer. If this is not practical, please contact JBL for immediate action.