



# S2C

## SPECIFICATIONS

### ACOUSTIC & ELECTRICAL SPECIFICATIONS:

- Nominal Impedance: 8 ohm
- Power Capacity: 150W
- Frequency Range: 80 Hz to 17 kHz
- Sensitivity: 91 dB SPL\*
- Crossover Frequencies: 2.8 kHz

### SYSTEM COMPONENTS:

- Cabinet: CS2C
- Grille: GS2C
- Low Frequency Transducer: 726GS 6-1/2 in. (165mm) Cone Transducer
- DC Resistance: 4.4 ohm  $\pm 8\%$  Aluminum Wire
- High Frequency Transducer: 276nd 2 in. (52mm) Pure Titanium Dome Compression Driver Neodymium Magnet
- DC Resistance: 3.2 ohm  $\pm 8\%$  Aluminum Wire

### SYSTEM COMPONENTS: (cont'd)

- Crossover Network: NS2C

### AURAL SWEEP TEST SPECIFICATIONS:

- A. System Aural Sweep Test: 7.0V Input, 50 Hz to 20 kHz
- B. L.F. Aural Sweep Test: 6.5V Input, 20 Hz to 10 kHz
- C. H.F. Aural Sweep Test: 2.0V Input, 550 Hz to 20 kHz

### PHYSICAL SPECIFICATIONS:

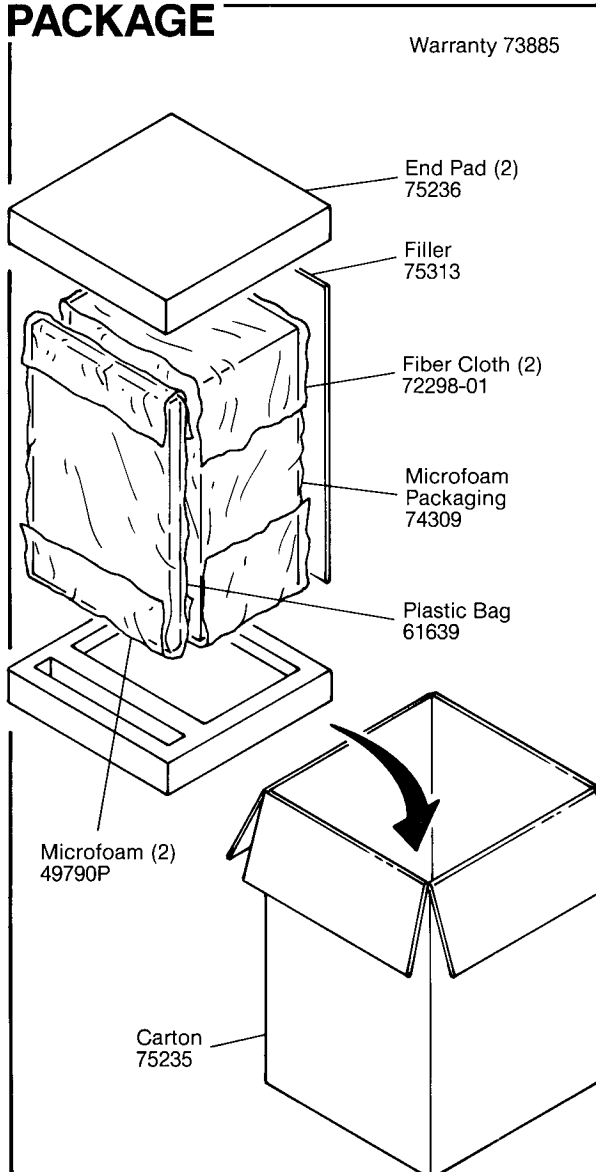
- Enclosure Dimensions: 23.50 x 15.00 x 10.78 in. D (597mm x 381mm x 274mm D)
- Shipping Weight: 65 lbs. (29.5 kg.)

### WARRANTY INFORMATION:

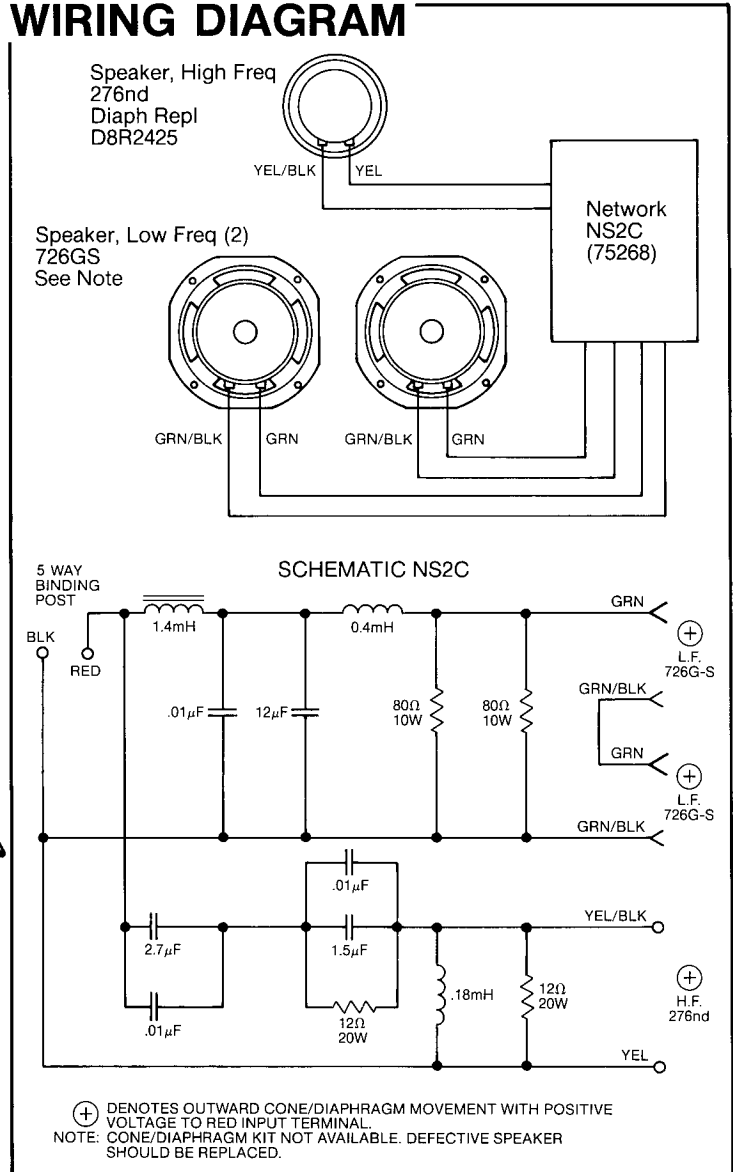
- Refer to the Warranty Statement packed with each product.

\*1 Watt @ 1 Meter

## PACKAGE



## WIRING DIAGRAM



S2C

## COMPONENT EXPLODED VIEW

