



# S2A

## SPECIFICATIONS

### ACOUSTIC & ELECTRICAL SPECIFICATIONS:

- Nominal Impedance: 6 ohm
- Power Capacity: 100W
- Frequency Range: 100 Hz to 12 kHz
- Sensitivity: 87 dB SPL\*
- Crossover Frequencies: 3000 Hz

### SYSTEM COMPONENTS:

- Cabinet: CS2A
- Grille: GS2AS (Side-2), GS2AF (Front)
- Low Frequency Transducer: 305G-3A-1 5 in. (130mm) Polymer Laminate (2)
- DC Resistance: 4.1 ohm  $\pm$ 8% Aluminum Wire

### SYSTEM COMPONENTS: (cont'd)

- High Frequency Transducer: Speaker/Horn 75245 (2)
- DC Resistance: 3.2 ohm  $\pm$ 8% Aluminum Wire
- Crossover Network: NS2A

### AURAL SWEEP TEST SPECIFICATIONS:

- A. System Aural Sweep Test: 5.0V Input, 20 Hz to 20 kHz
- B. L.F. Aural Sweep Test: 3.0V Input, 20 Hz to 3 kHz
- C. H.F. Aural Sweep Test: 2.0V Input, 1000 kHz to 20 kHz

### PHYSICAL SPECIFICATIONS:

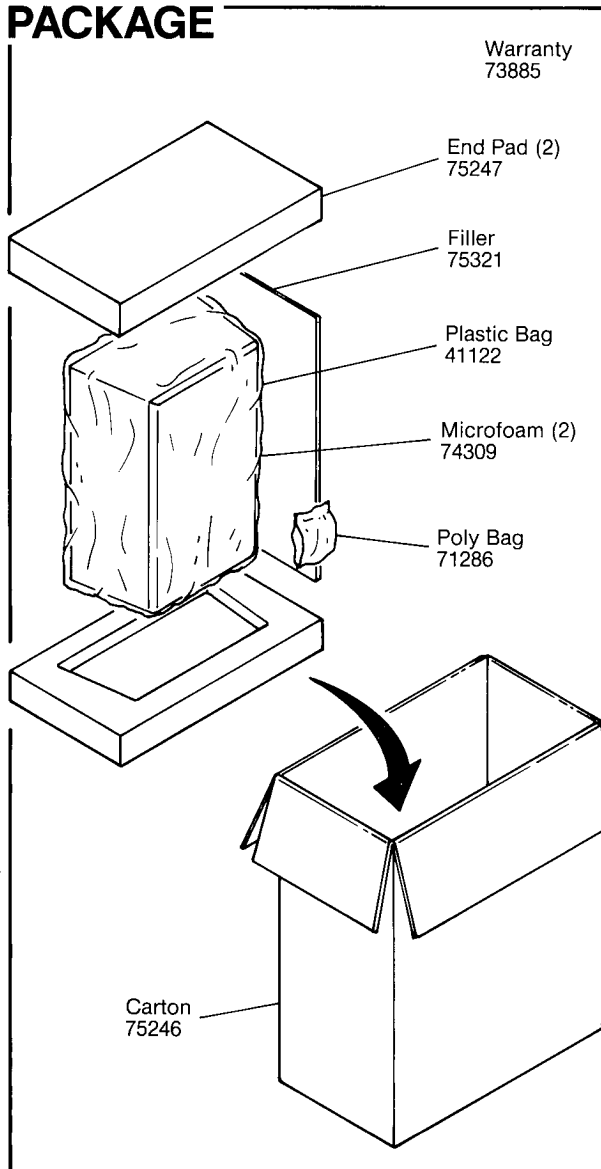
- Enclosure Dimensions: 16.00 x 11.56 x 6.53 in. D (406mm x 294mm x 166mm D)
- Shipping Weight: 32 lbs. (14.5 kg.)

### WARRANTY INFORMATION:

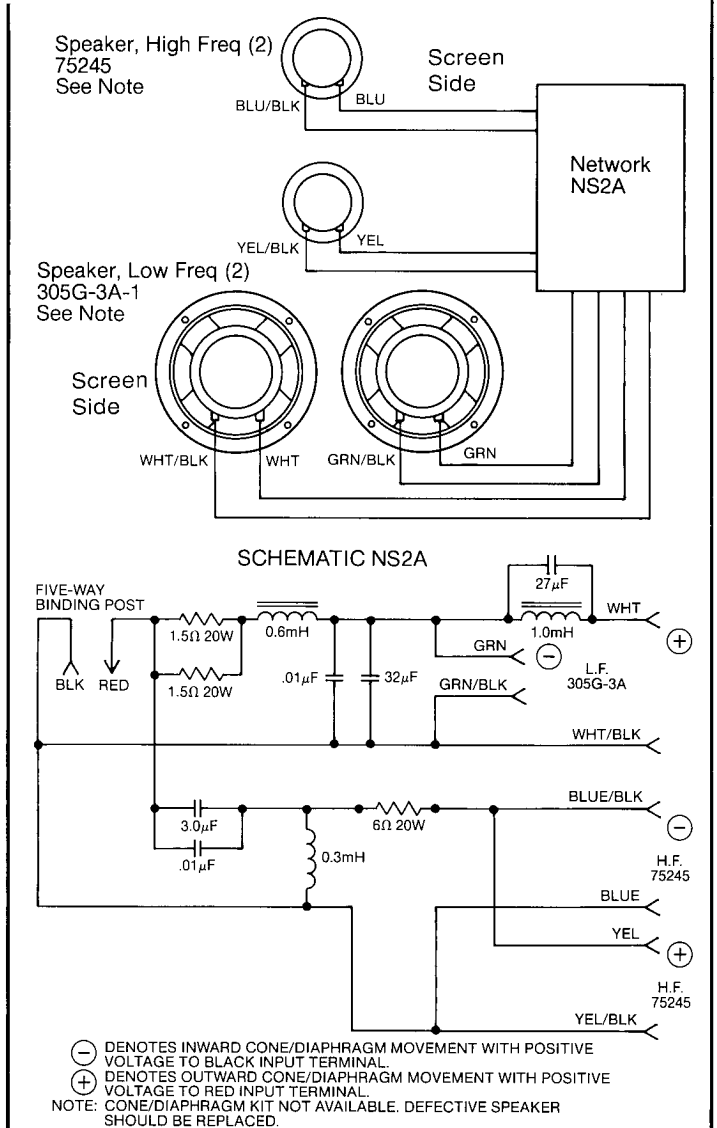
- Refer to the Warranty Statement packed with each product.

\*1 Watt @ 1 Meter

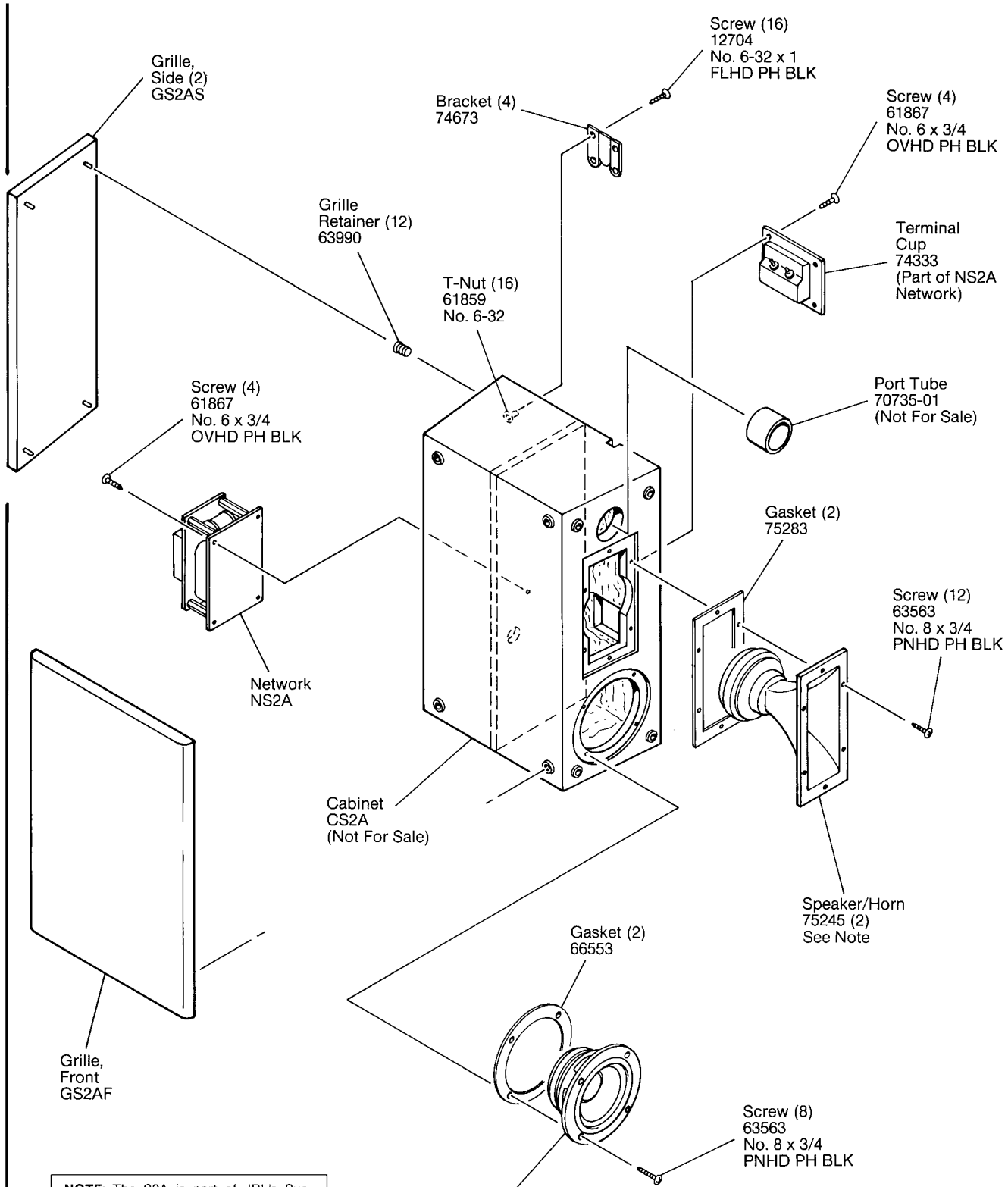
## PACKAGE



## WIRING DIAGRAM



## COMPONENT EXPLODED VIEW



**NOTE:** The S2A is part of JBL's Synthesis Two and Three home media system. The loudspeaker components in this system are covered by a 5 year "48 hour instant loaner policy" which is administered by the JBL dealer. Within the warranty period, all requests for service should be referred to the JBL dealer. If this is not practical, please contact JBL for immediate action.