



S1C-2S

SPECIFICATIONS

ACOUSTIC & ELECTRICAL SPECIFICATIONS:

- Nominal Impedance: 8 ohm
- Power Capacity: 100W
- Frequency Range: 60 Hz to 20 kHz (-6 dB)
- Sensitivity: N/A
- Crossover Frequencies: 2.5 kHz Active

SYSTEM COMPONENTS:

- Cabinet: CS1C-2
- Grille: N/A
- Low Frequency Transducer: 2118H-2 8 in (200mm) Cone Transducer
- DC Resistance: 5.6 ohm \pm 10% Aluminum Wire

*1 Watt @ 1 Meter

SYSTEM COMPONENTS: (cont'd)

- High Frequency Transducer: 2416H-1 1 in. (25mm) Pure Titanium Compression Driver
- DC Resistance: 3.2 ohm \pm 8% Aluminum Wire
- Crossover Network: NS1C-2S

AURAL SWEEP TEST SPECIFICATIONS:

- A. System Aural Sweep Test: 7.0V Input, 20 Hz to 20 kHz
- B. L.F. Aural Sweep Test: 7.0V Input, 20 Hz to 1.2 kHz
- C. H.F. Aural Sweep Test: 2.0V Input, 550 kHz to 1.2 kHz

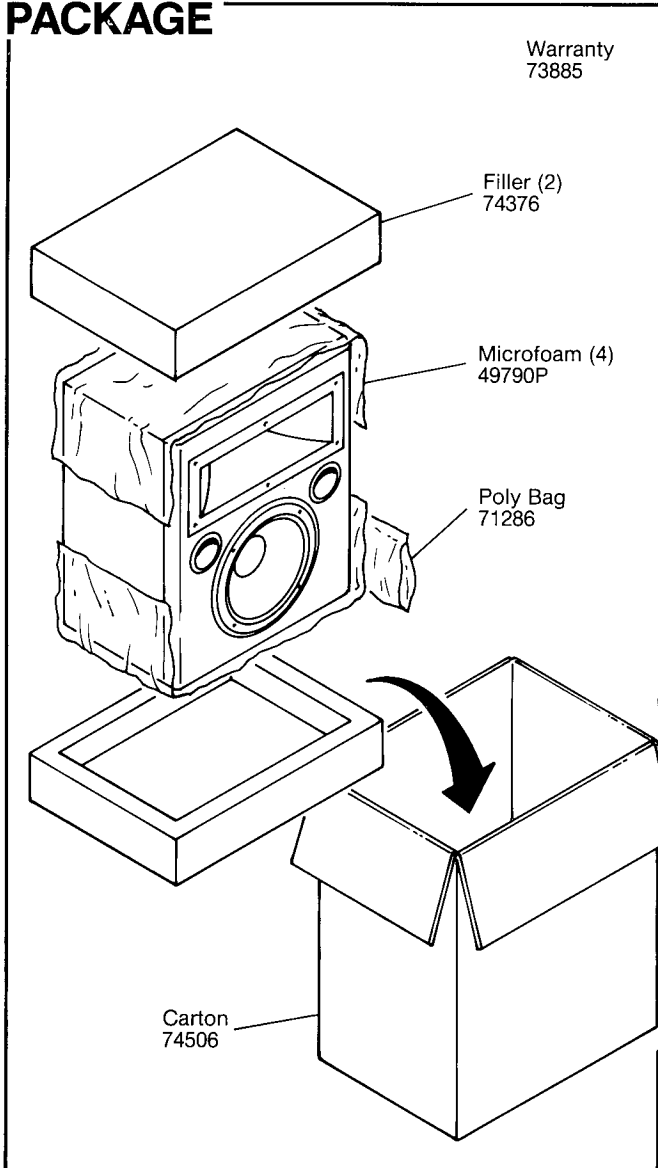
PHYSICAL SPECIFICATIONS:

- Enclosure Dimensions: 17.0 x 14.0 x 9.0 in. D (432mm x 356mm x 229mm D)
- Shipping Weight: 50 lbs. (22.7 kg.)

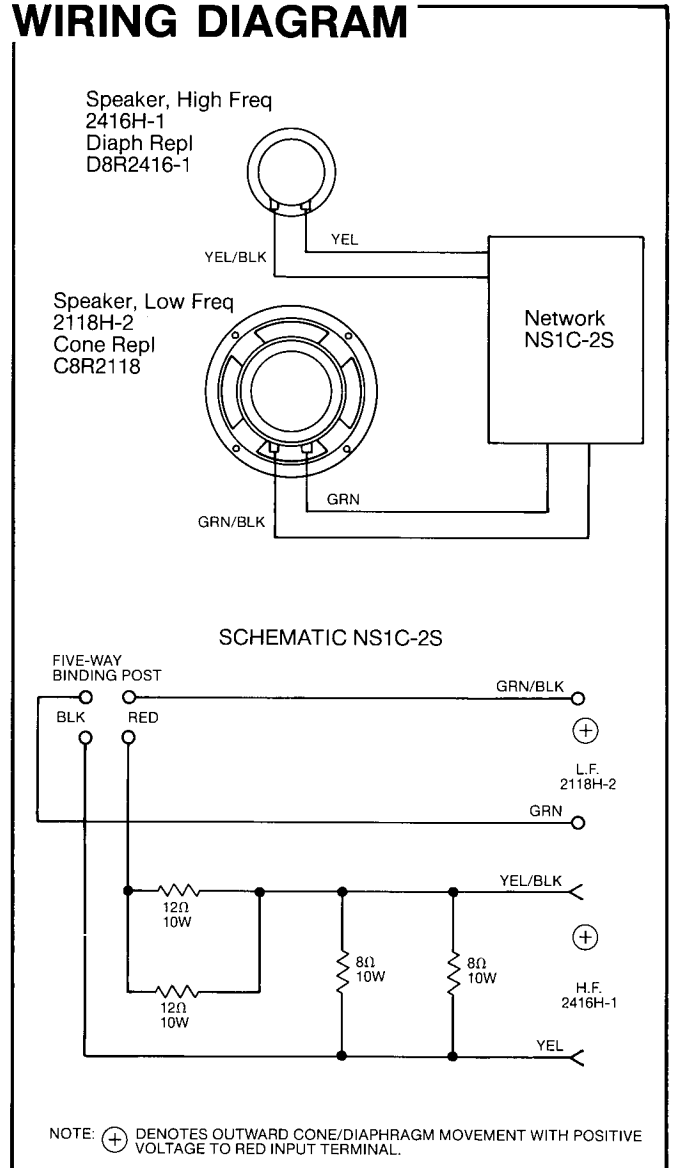
WARRANTY INFORMATION:

- Refer to the Warranty Statement packed with each product.

PACKAGE



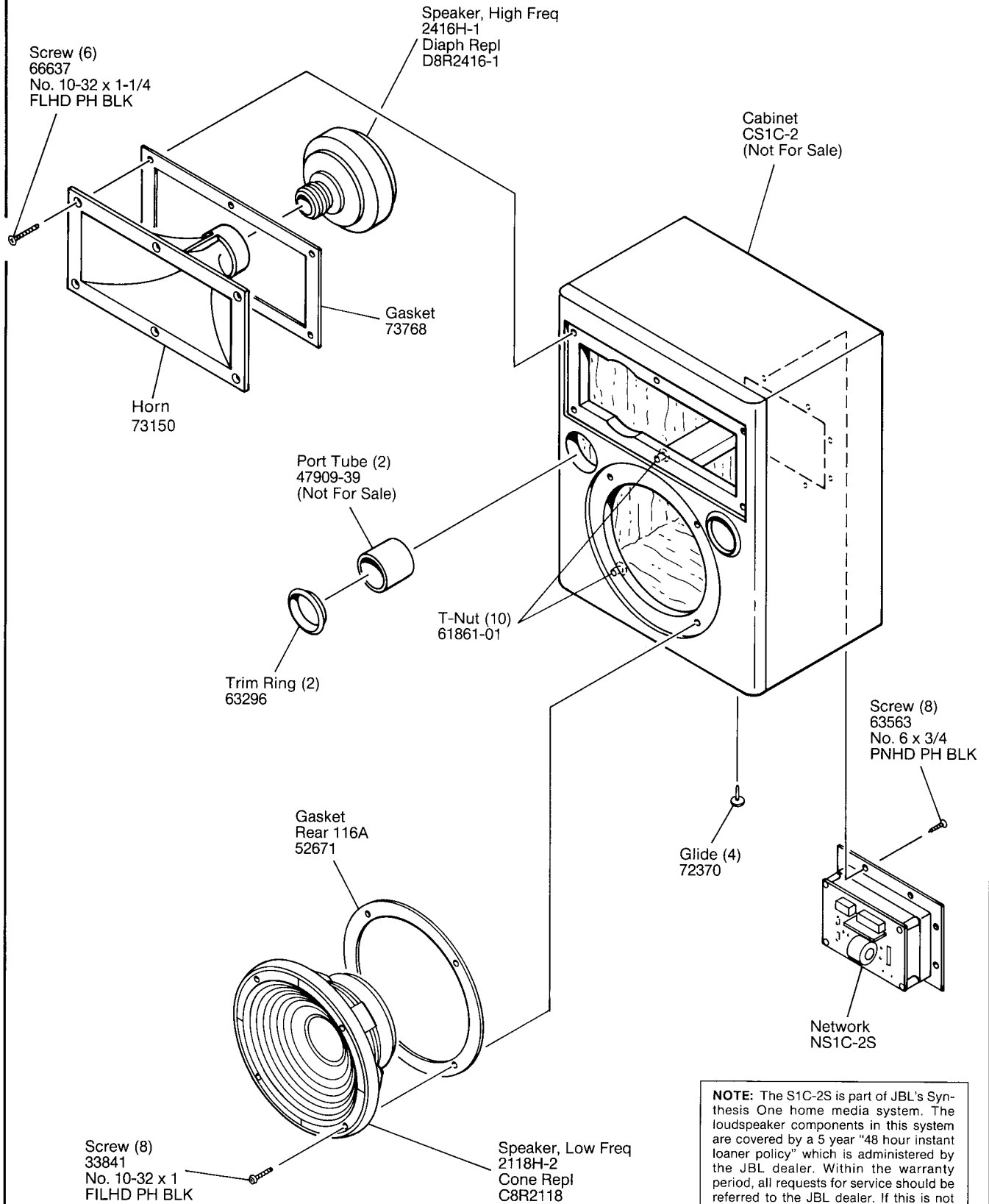
WIRING DIAGRAM



S1C-2S

S1C-2S

COMPONENT EXPLODED VIEW



NOTE: The S1C-2S is part of JBL's Synthesis One home media system. The loudspeaker components in this system are covered by a 5 year "48 hour instant loaner policy" which is administered by the JBL dealer. Within the warranty period, all requests for service should be referred to the JBL dealer. If this is not practical, please contact JBL for immediate action.