



S1A

SPECIFICATIONS

ACOUSTIC & ELECTRICAL SPECIFICATIONS:

- Nominal Impedance: 8 ohm
- Power Capacity: 150W
- Frequency Range: 80 Hz to 20 kHz (-6 dB)
- Sensitivity: 95 dB SPL*
- Crossover Frequencies: 2.5 kHz

SYSTEM COMPONENTS:

- Cabinet: CS1A
- Grille: GS1A
- Low Frequency Transducer: 2118J-2 8 in. (200mm) Cone Transducer (2)
- DC Resistance: 10.3 ohm ±8% Copper Wire
- High Frequency Transducer: 2416H-1 1 in. (25mm) Pure Titanium Compression Driver (2)
- DC Resistance: 3.2 ohm ±8% Aluminum Wire

SYSTEM COMPONENTS: (cont'd)

- Crossover Network: NS1A (74393)

AURAL SWEEP TEST SPECIFICATIONS:

- A. System Aural Sweep Test: 7.0V Input, 20 Hz to 20 kHz
- B. L.F. Aural Sweep Test: 15.5V Input, 20 Hz to 1.2 kHz
- C. H.F. Aural Sweep Test: 2.0V Input, 550 Hz to 1.2 kHz

PHYSICAL SPECIFICATIONS:

- Enclosure Dimensions: 24.62 x 13.60 x 11.25 in. D (626mm x 345mm x 286mm D)
- Shipping Weight: 75 lbs. (3.9 kg.)

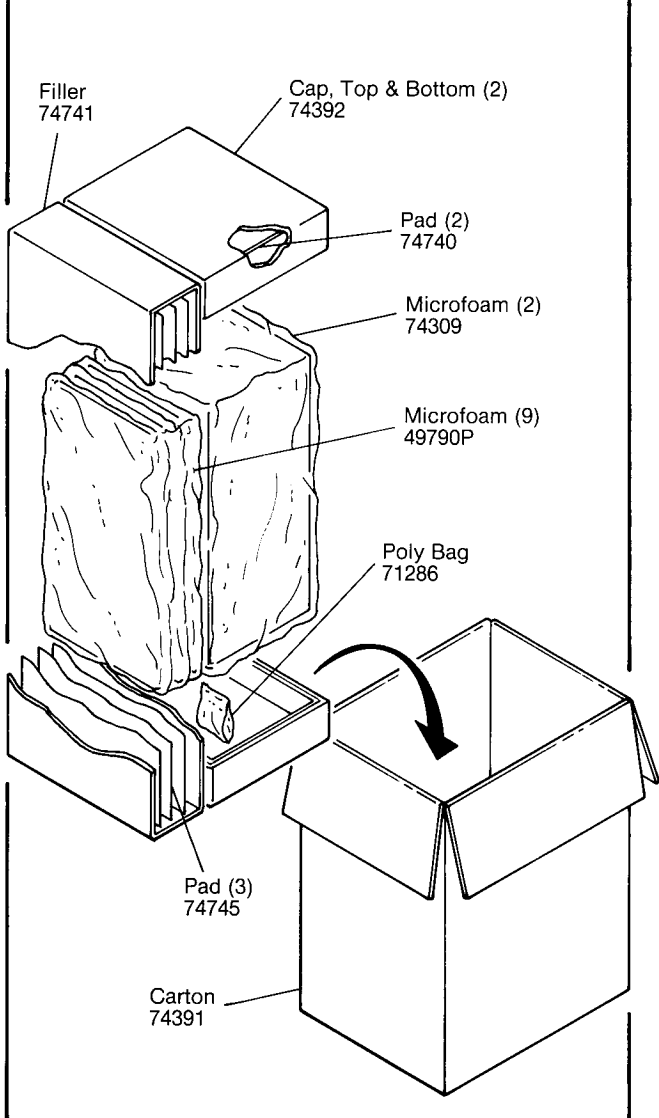
WARRANTY INFORMATION:

- Refer to the Warranty Statement packed with each product.

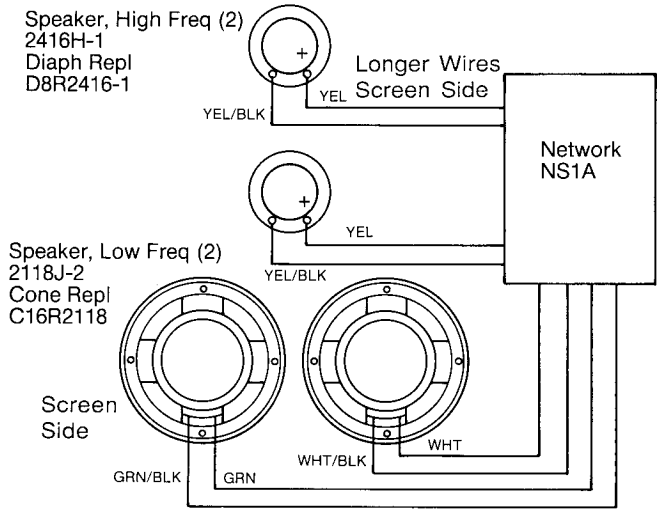
*1 Watt @ 1 Meter

PACKAGE

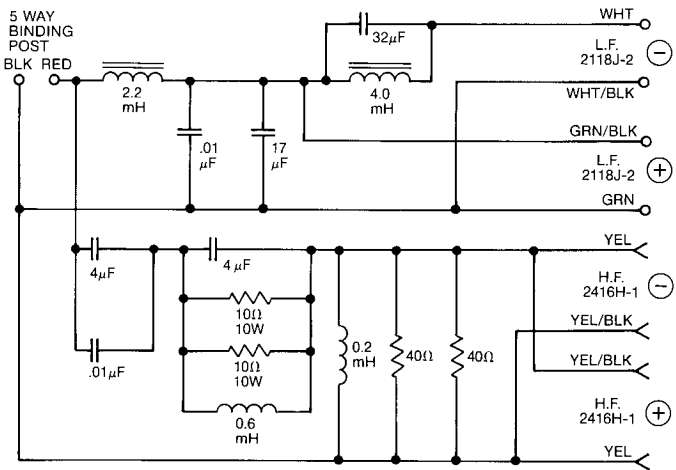
Warranty 73885



WIRING DIAGRAM



SCHEMATIC NS1A

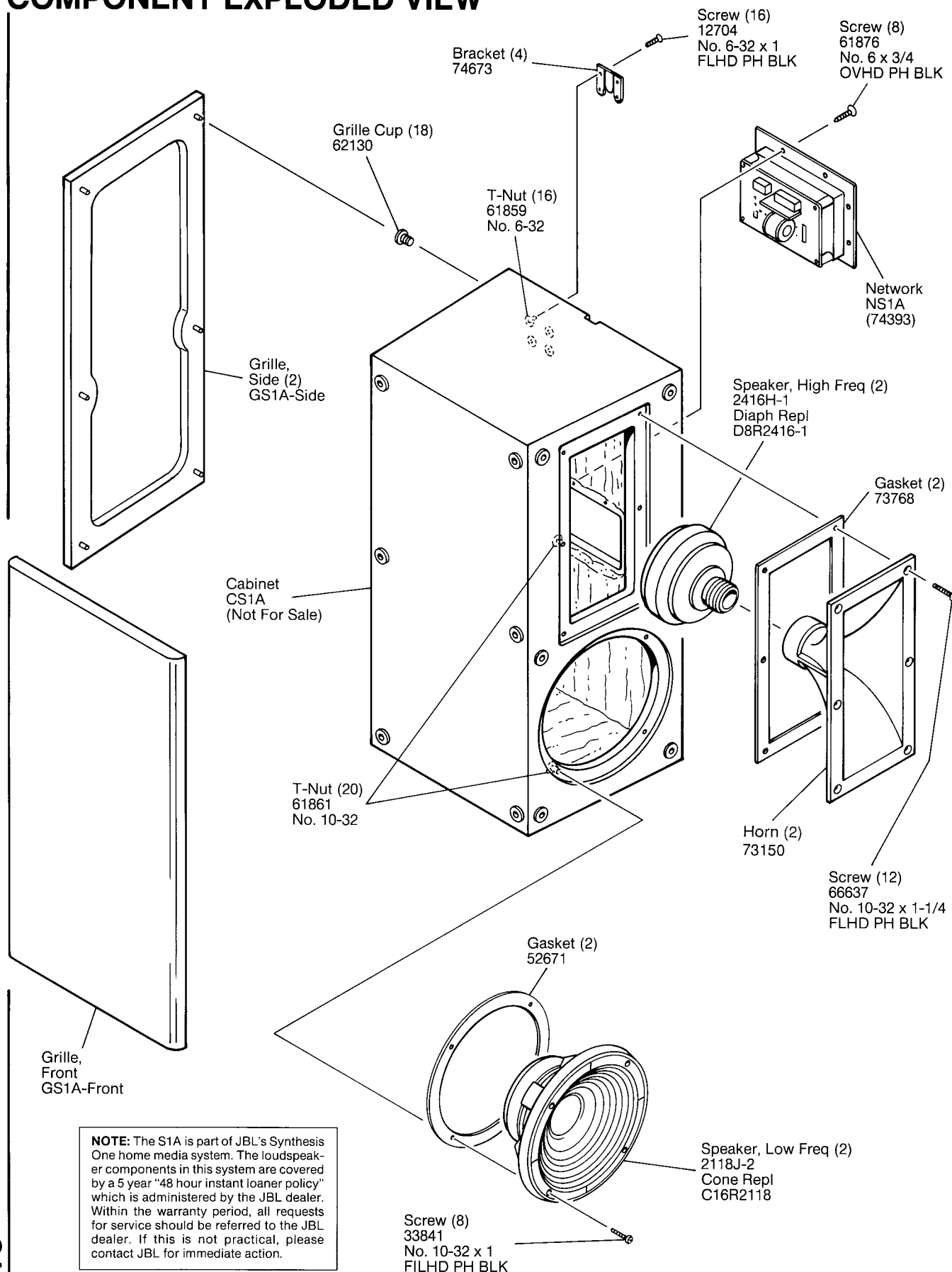


NOTE: (-) DENOTES INWARD CONE/DIAPHRAGM MOVEMENT WITH POSITIVE VOLTAGE TO BLACK INPUT TERMINAL. (+) DENOTES OUTWARD CONE/DIAPHRAGM MOVEMENT WITH POSITIVE VOLTAGE TO RED INPUT TERMINAL.

S1A

S1A

COMPONENT EXPLODED VIEW



NOTE: The S1A is part of JBL's Synthesis One home media system. The loudspeaker components in this system are covered by a 5 year "48 hour instant loaner policy" which is administered by the JBL dealer. Within the warranty period, all requests for service should be referred to the JBL dealer. If this is not practical, please contact JBL for immediate action.