



SPECIFICATIONS

ACOUSTIC & ELECTRICAL SPECIFICATIONS:

- Power Range: 10-100 Watt
- Nominal Impedance: 4 Ohms
- Frequency Response: 65Hz-27kHz
- Sensitivity: 87dB @ 1 Watt / 1 meter
- Crossover Frequency: 3000 Hz

SYSTEM COMPONENTS:

- Cabinet: PB-509D Plastic Molded
- Grille: G PRO III

SYSTEM COMPONENTS: (cont'd)

- Low Frequency Transducer: 12C70DU-01CW
5" High Polymer Laminate
- High Frequency Transducer: 58P60DH-01CD
1" Pure Titanium
- Crossover Network: LV-B4 (T) 2-Way System

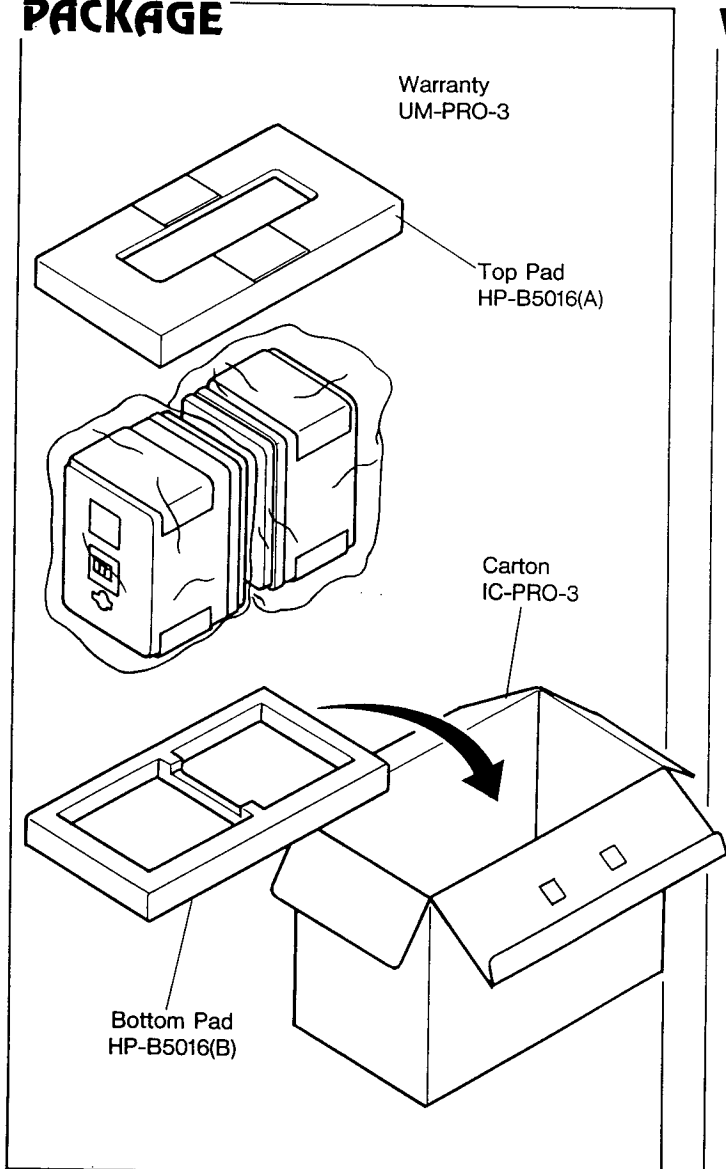
PHYSICAL SPECIFICATIONS:

- Enclosure Dimensions: 9 1/4" x 6 1/4" x 5 5/8"
(235mm x 159mm x 143mm)
- Net Weight: 5.5 Lbs (2.5kg) each

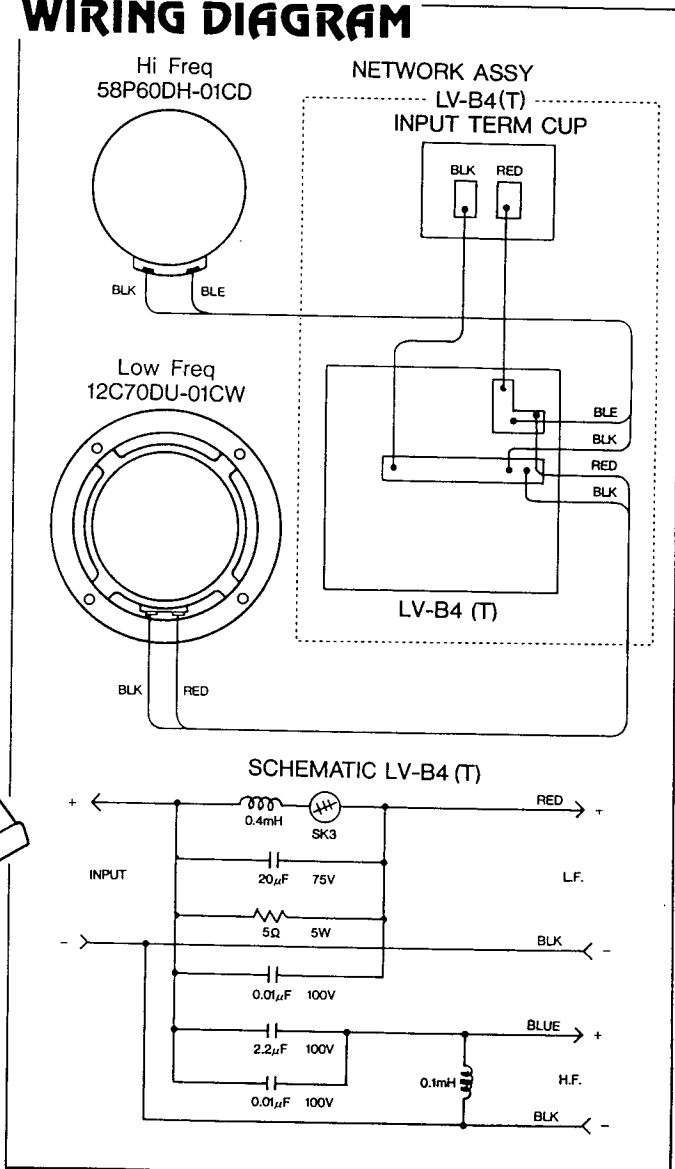
TEST SPECIFICATION:

- EST 1313

PACKAGE



WIRING DIAGRAM



COMPONENT EXPLODED VIEW

