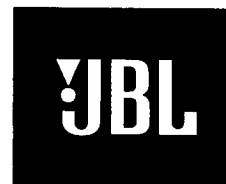


DRIVER	TEST VOLTAGE	SWEEP FREQUENCY	DCR MIN-MAX.
304GS	3	100HZ-1.2KHZ	3.4-3.8 OHMS

Technical Manual

JBL PRO PERFORMER



SPECIFICATIONS

ACOUSTIC & ELECTRICAL SPECIFICATIONS:

- Nominal Impedance: 6 ohm
- Power Capacity: 40W IEC Filtered Noise
- Frequency Range: 100 Hz to 18 kHz (-6dB)
- Sensitivity: 88 dB SPL*
- Crossover Frequencies: N/A

SYSTEM COMPONENTS:

- Cabinet: C Pro Performer BLK, WHT (Not For Sale)
- Grille: G Pro Performer BLK, WHT

*1 Watt (2.83 V RMS) @ 1 Meter

SYSTEM COMPONENTS: (cont'd)

- Full Range Transducer: 102mm (4 in.) (304GS)
- Crossover Network: N PRO PERFORMER

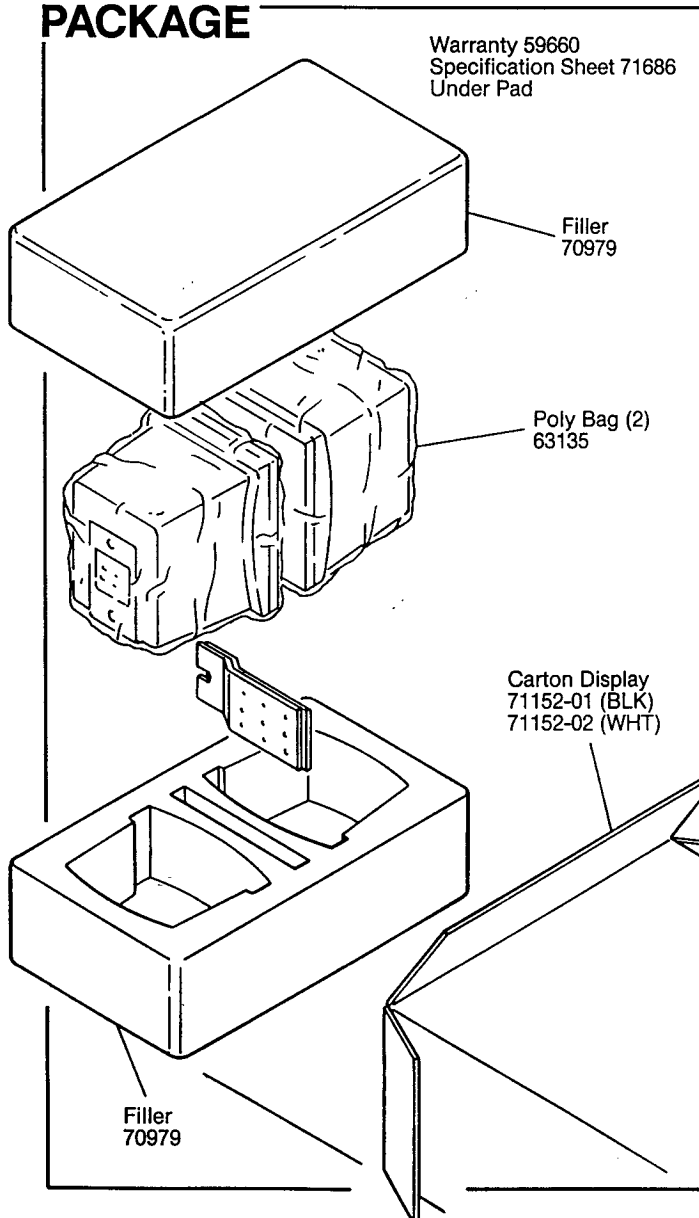
PHYSICAL SPECIFICATIONS:

- Enclosure Dimensions: 159mm x 152mm x 140mm D (6.25 x 6.0 x 5.50 in. D)
- Shipping Weight: 7.2 lbs./pair (3.3kg)

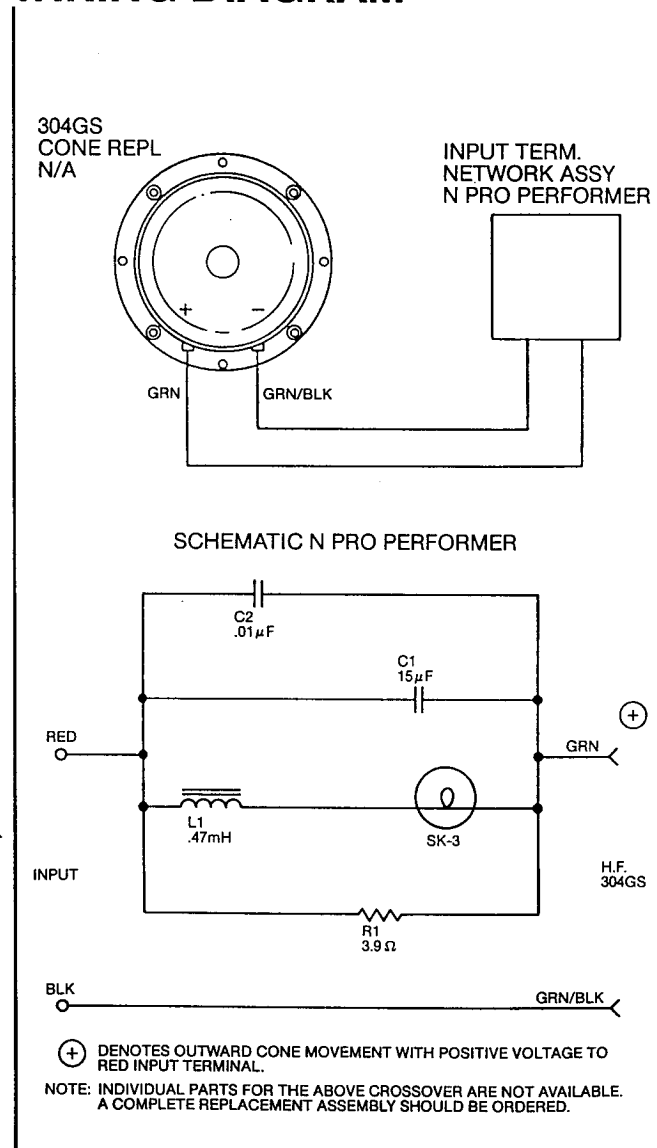
WARRANTY INFORMATION:

- Refer to the Warranty Statement packed with each product.

PACKAGE



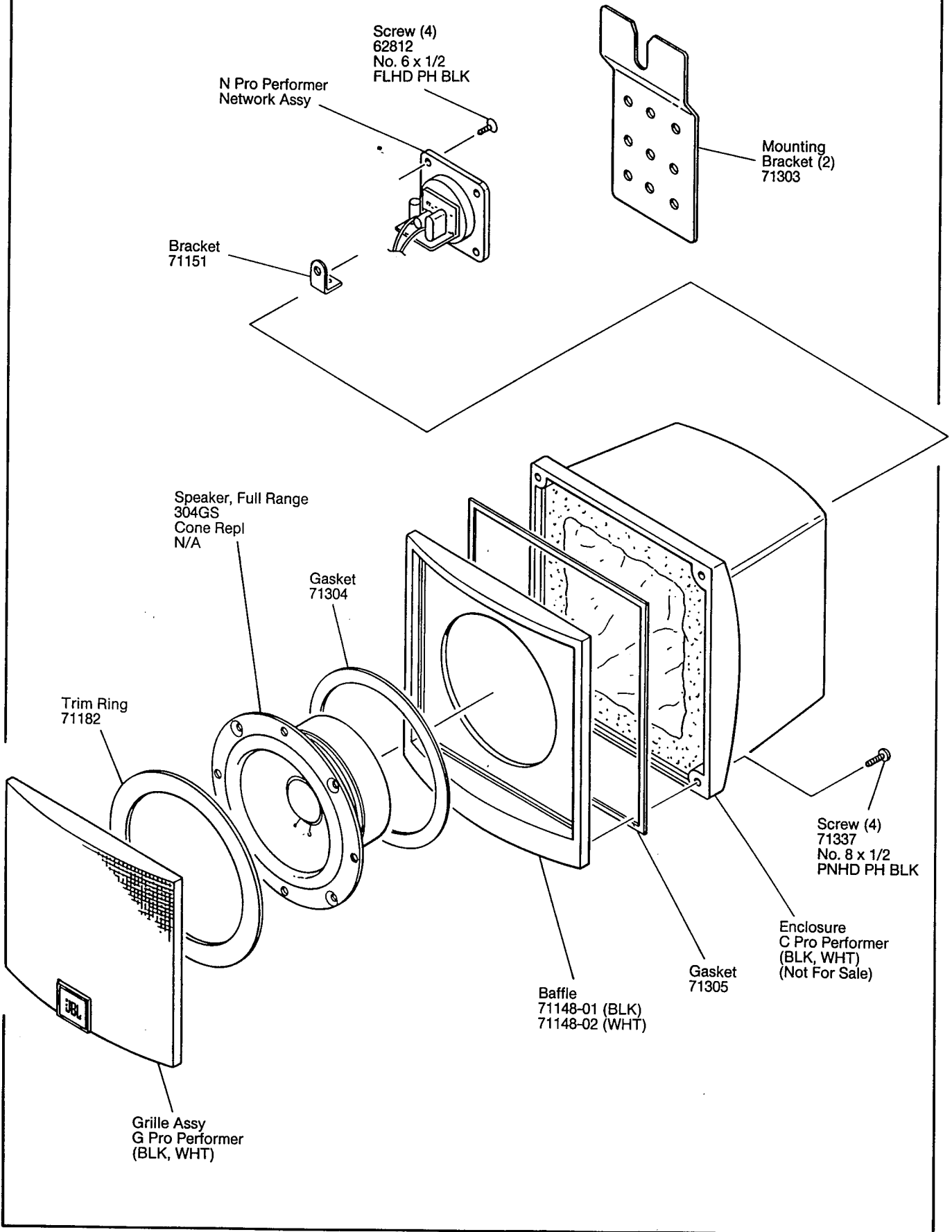
WIRING DIAGRAM



JBL PRO PERFORMER REV B

JBL PRO PERFORMER

COMPONENT EXPLODED VIEW



JBL PRO PERFORMER