

DRIVER	TEST VOLTAGE	SWEEP FREQUENCY	DCR MIN-MAX.
58P60DH-01CD	2	5KHZ-20KHZ	2.3-2.7 OHMS
12C70DU-01CW	5	100HZ-10KHZ	1.8-2.2 OHMS
308SW	4	20HZ-1.0KHZ	4.75-5.25 OHMS

Technical Manual



PRO III PLUS

SPECIFICATIONS

ACOUSTIC & ELECTRICAL SPECIFICATIONS:

- Nominal Impedance: 4 ohm
- Recommended Amp Power: 10W to 100W
- Frequency Response: 35 Hz to 27 kHz
- Sensitivity: 90 dB*
- Crossover Frequencies: Pro III - 3 kHz
SWIII+ - 125 Hz

SYSTEM COMPONENTS:

- Cabinet: Pro III - PB-509D
Subwoofer - CSWIII+
- Grille: Pro III - GPROIII
Subwoofer - GSWIII+

Pro III

- High Frequency Transducer (Left & Right): 58P60DH-01CD 1 in. (25mm)
Pure Titanium Dome

*1 Watt @ 1 Meter

SYSTEM COMPONENTS: (cont'd)

- Low Frequency Transducer: 12C70DU-01CW 5 in. (130MM)
Polymer Laminate Cone
- Crossover Network: LV-B4(T)
- Subwoofer
- Low Frequency Transducer: 308SW 8 in. (200MM)
Polymer Laminate Cone
- Crossover Network: NSWIII+

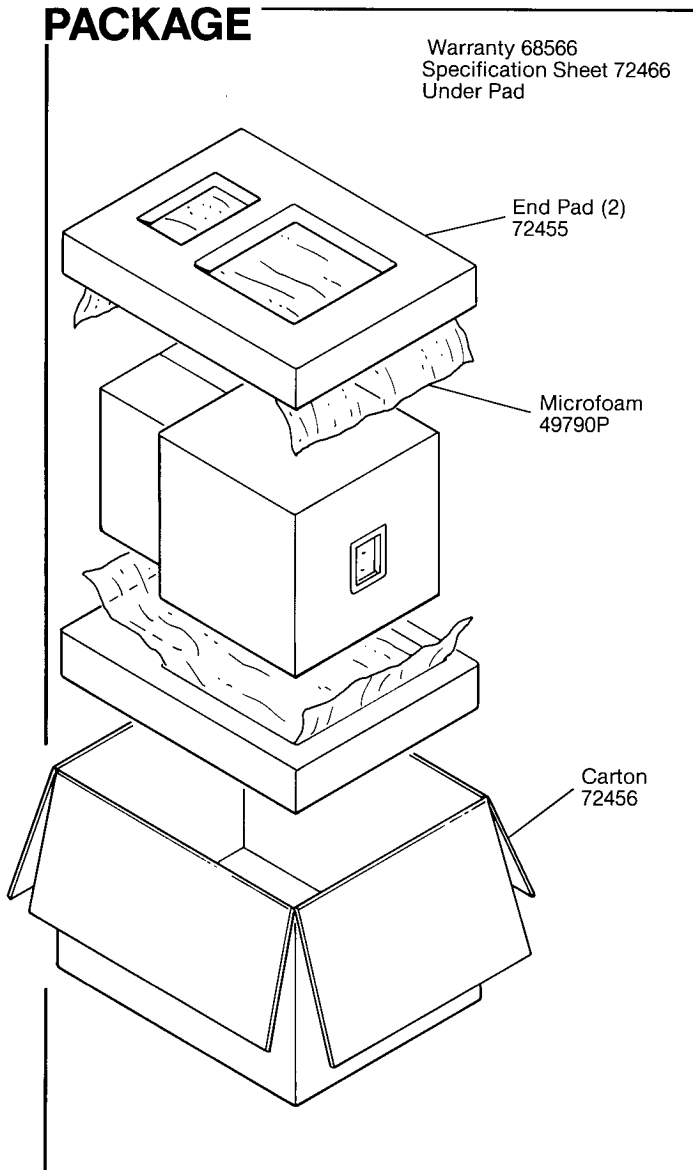
PHYSICAL SPECIFICATIONS:

- Enclosure Dimensions: 9.25 x 6.25 x 5.62 in. D
Pro III
(235mm x 159mm x 143mm D)
- Enclosure Dimensions: 15.25 x 13.75 x 13.50 in. D
Subwoofer
(387mm x 349mm x 343mm D)
- Shipping Weight: 42 lbs. (19 kg.)

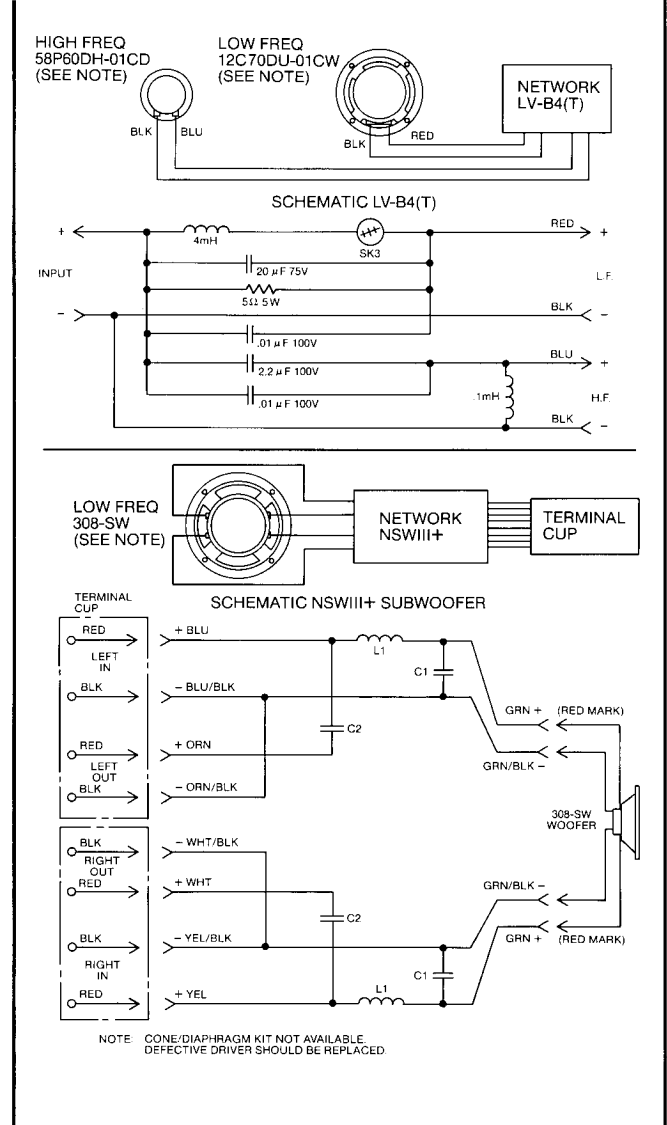
WARRANTY INFORMATION:

- Refer to the Warranty Statement packed with each product.

PACKAGE



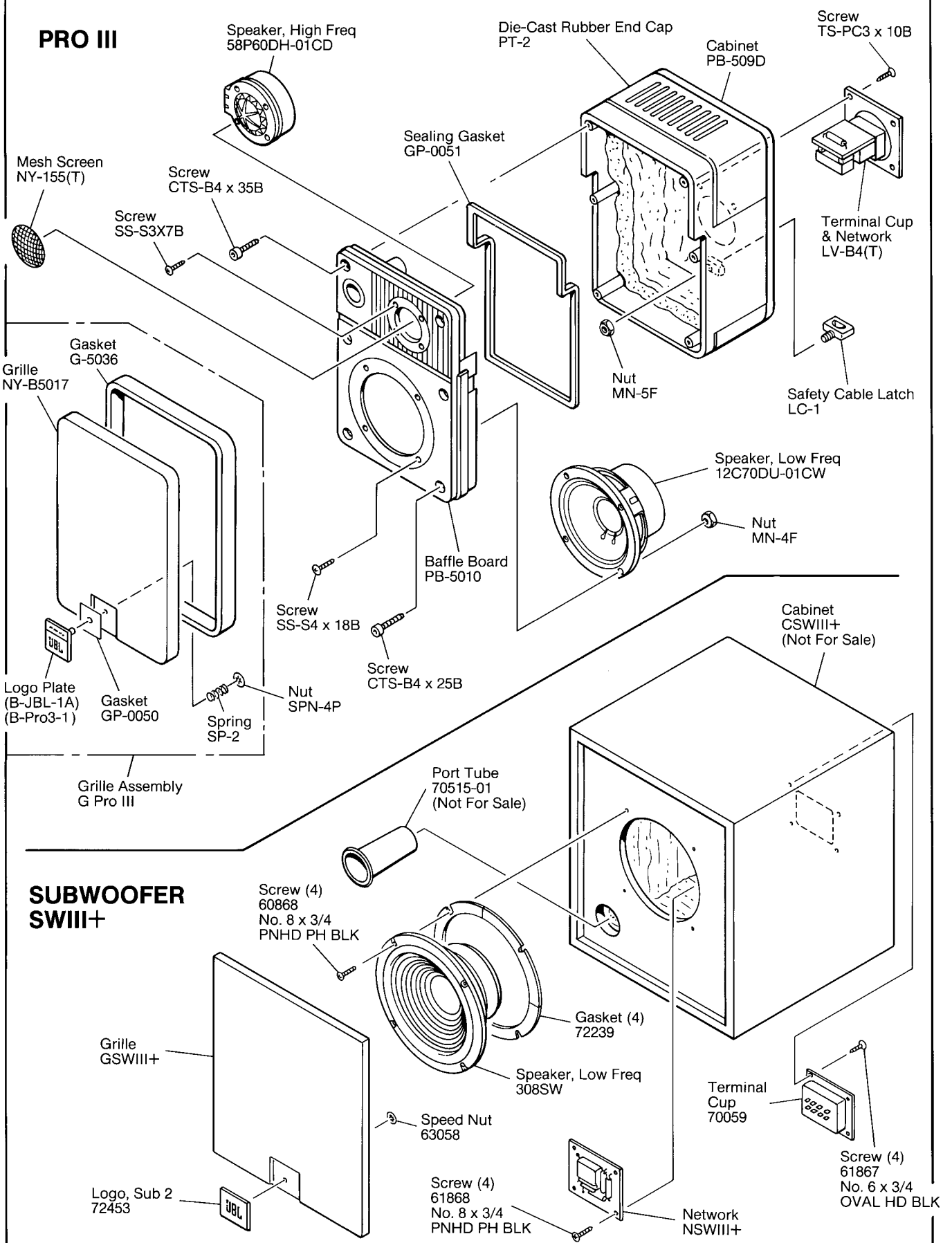
WIRING DIAGRAM



PRO III PLUS

PRO III PLUS

COMPONENT EXPLODED VIEW



PRO III PLUS