



# NJ60 MKII

## SPECIFICATIONS

### ACOUSTIC & ELECTRICAL SPECIFICATIONS:

- \* Nominal Impedance: 8 ohm
- \* Recommended Amp Power: 10-125W
- \* Frequency Response: 45 Hz - 20 kHz (-6dB)
- \* Sensitivity: 87 dB / 2,83V / 1 m
- \* Crossover frequency: 3 kHz

### SYSTEM COMPONENTS:

- \* Cabinet: CNJ60 MKII (Not for sale)
- \* Grille: GNJ60 MKII (2409350) (Black)
- \* Grille: GNJ60 MKII (2409352) (Brown)
- \* Woofer: LX170-497 165mm Woofer  
30mm voice coil
- DC Resistance: 4,8 ohm

### SYSTEM COMPONENTS: (cont'd)

- \* Tweeter: LX026T-97 25mm  
Titanium Dome Tweeter
- DC Resistance: 4,3 ohm
- \* Crossover Network: NNJ60 MKII (2709340)

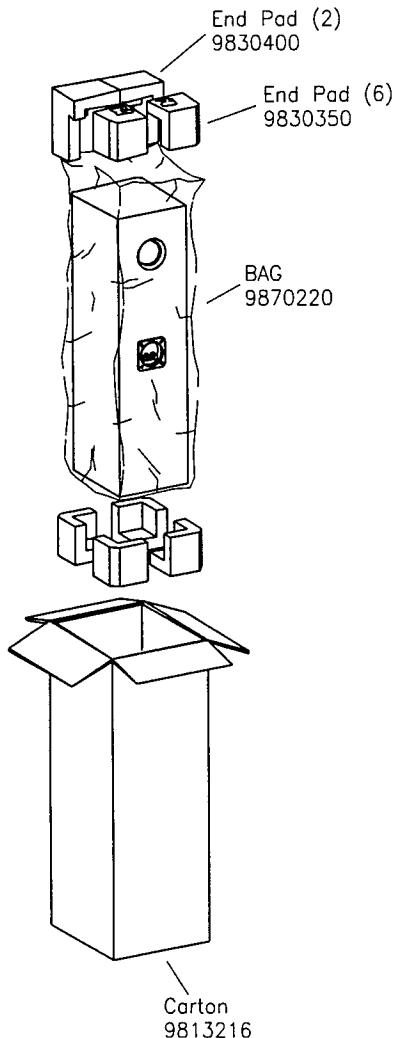
### PHYSICAL SPECIFICATIONS:

- \* Enclosure Dimensions (H.W.D): 31,5x8,7x11,1 In. D  
(800x220x283mm D)
- \* Shipping Weight: 31 lbs. (14 kg.)

### WARRANTY INFORMATION:

- \* Refer to the Warranty Statement packed with each product

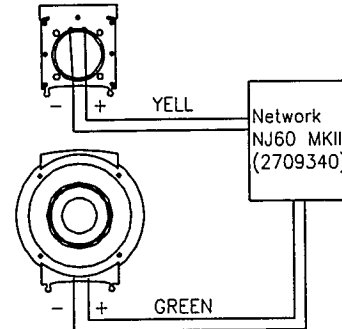
## PACKAGE



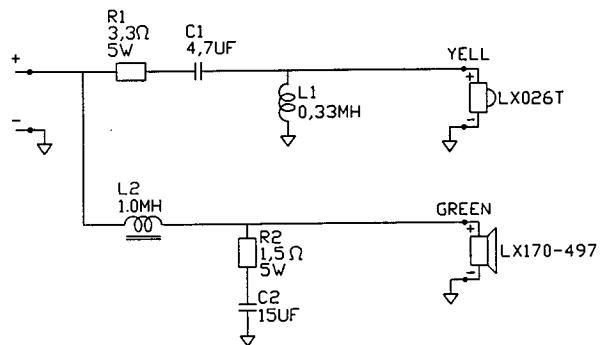
## WIRING DIAGRAM

Tweeter  
LX026T-97  
(9744050)

Woofer  
LX170-497  
(9744120)



### SCHEMATIC NJ60 MKII



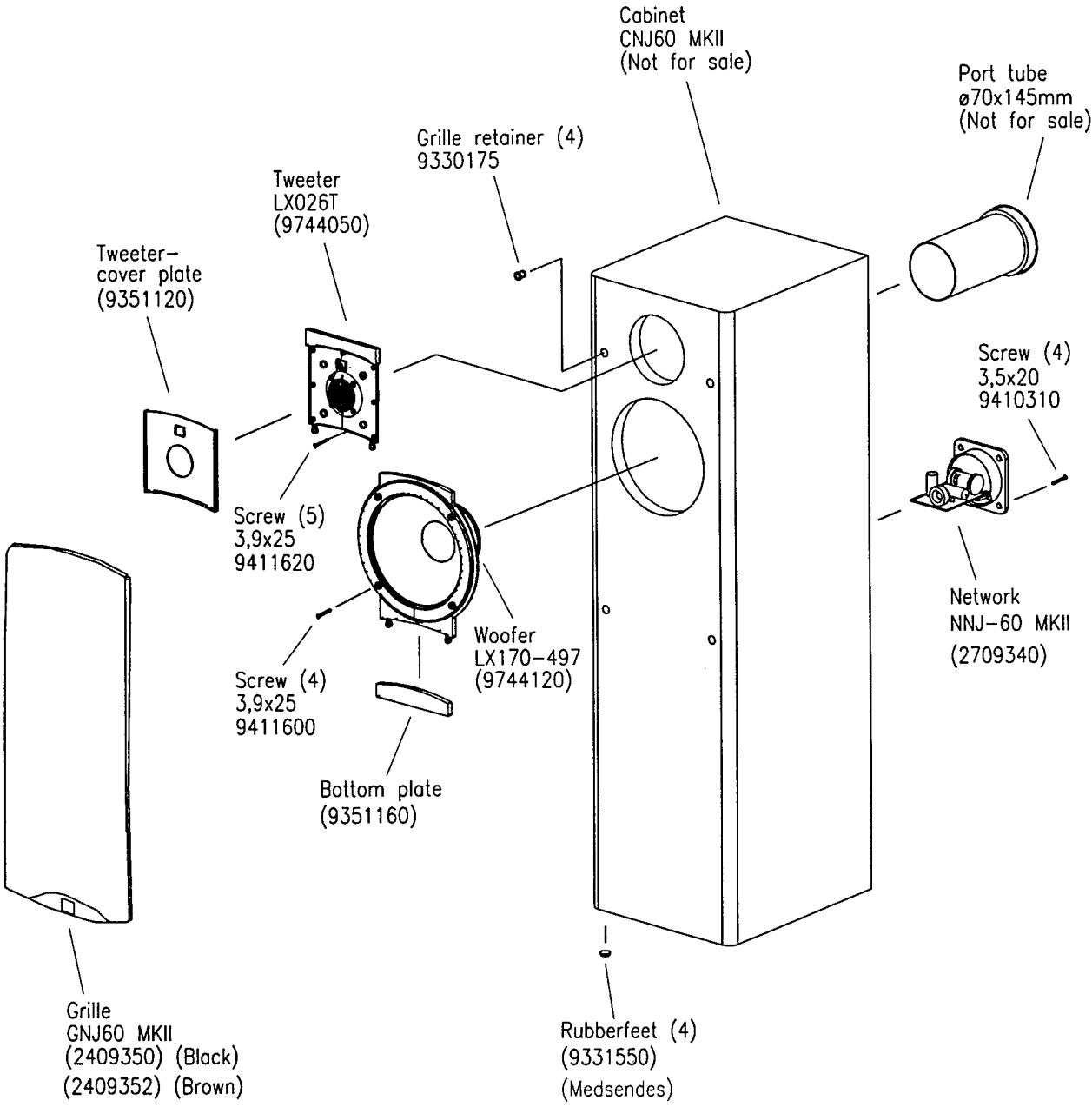
NOTE: CONE/DIAPHRAGM KIT NOT AVAILABLE.  
DEFECTIVE DRIVER SHOULD BE REPLACED.

**NJ60 MKII**

Valid from serial no. 01001  
Rev. 21/11-1997

# NJ60 MKII

## COMPONENT EXPLODED VIEW



**NJ60 MKII**