



# NJ50

## SPECIFICATIONS

### ACOUSTIC & ELECTRICAL SPECIFICATIONS:

- \* Nominal Impedance: 6 ohm
- \* Recommended Amp Power: 10-200W
- \* Frequency Response: 40 Hz - 20 kHz (-6dB)
- \* Sensitivity: 88 dB / 2,83V / 1 m
- \* Crossover frequency: 600 HZ / 2,5 KHZ

### SYSTEM COMPONENTS:

- \* Cabinet: CNJ50 (Not for sale)
- \* Grille: GNJ50 (2409060)
- \* Woofer: NJ250-5 250mm Woofer  
38mm voice coil
- DC Resistance: 5,0 ohm
- \* Midrange: NJ130-M 130mm Midrange  
30mm voice coil

### SYSTEM COMPONENTS: (cont'd)

- DC Resistance: 4,6 ohm
- \* Tweeter: NJ026T 25mm  
Titanium Dome Tweeter
- DC Resistance: 4,3 ohm
- \* Crossover Network: NNJ50 (2709060)

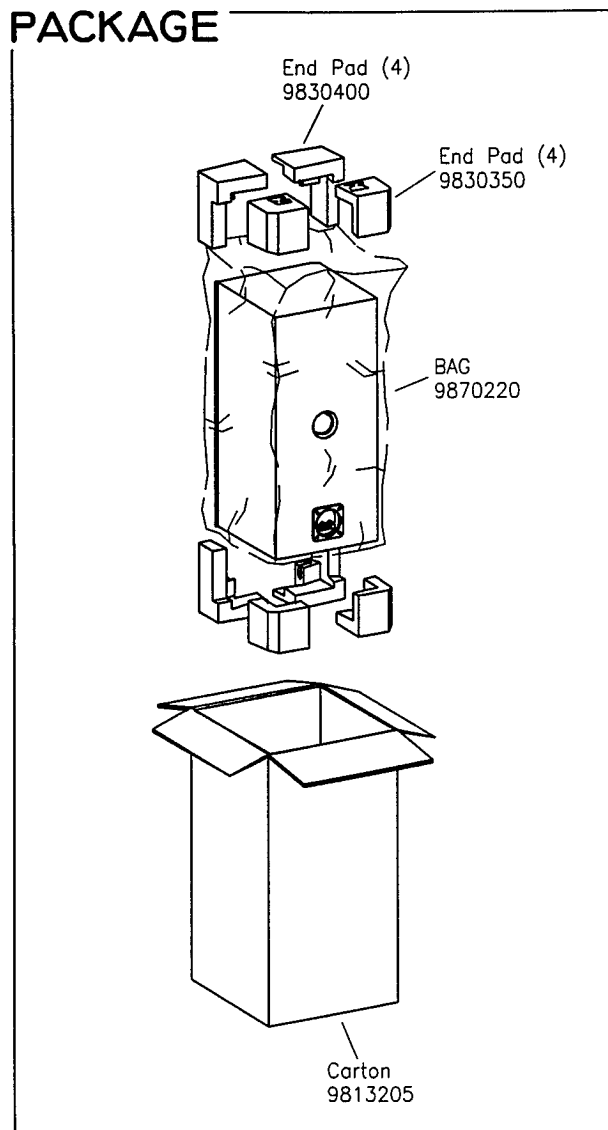
### PHYSICAL SPECIFICATIONS:

- \* Enclosure Dimensions (H.W.D): 26x11,8x13,3 In. D  
(660x300x337mm D)
- \* Shipping Weight: 37,5 lbs. (17 kg.)

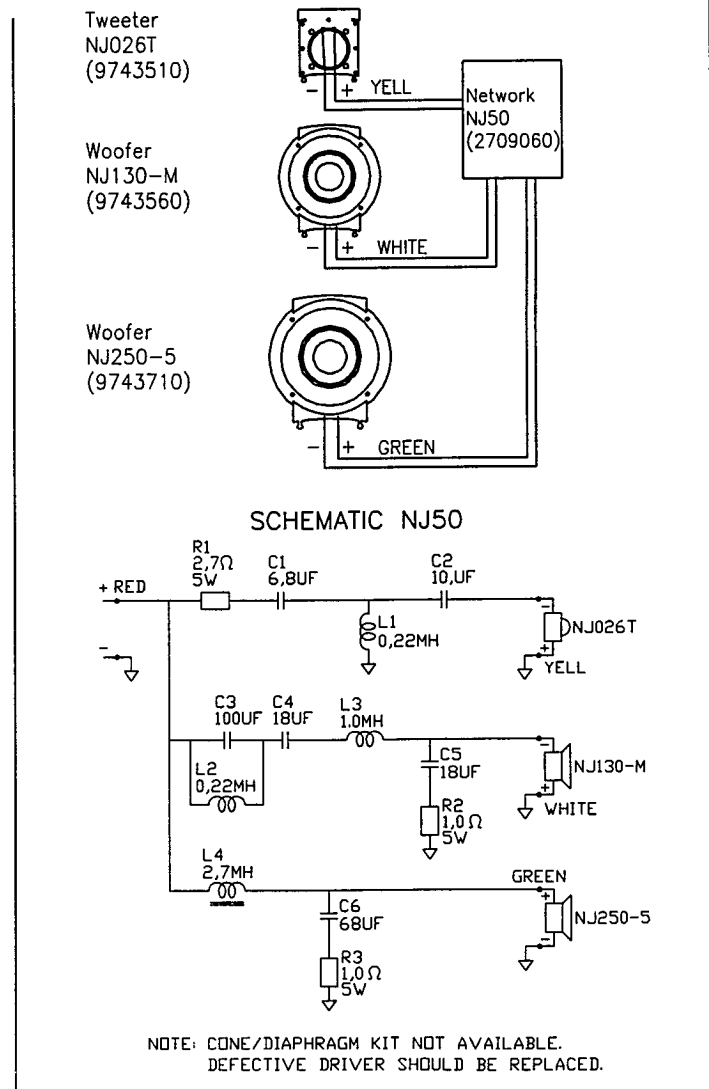
### WARRANTY INFORMATION:

- \* Refer to the Warranty Statement packed with each product

## PACKAGE



## WIRING DIAGRAM



**NJ50**

Valid from serial no. 01001 (BK)  
Valid from serial no. 01001 (CH)  
Rev. 13/09-1996

## COMPONENT EXPLODED VIEW

