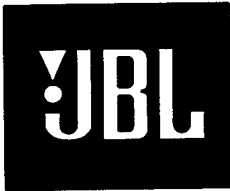


Technical Manual

NJ40 MKII



SPECIFICATIONS

ACOUSTIC & ELECTRICAL SPECIFICATIONS:

- * Nominal Impedance: 6 ohm
- * Recommended Amp Power: 10-175W
- * Frequency Response: 45 Hz - 20 kHz (-6dB)
- * Sensitivity: 88 dB / 2,83V / 1 m
- * Crossover frequency: 600 HZ / 2,5 KHZ

SYSTEM COMPONENTS: (cont'd)

- DC Resistance: 4,6 ohm
- * Tweeter LX026T-97 25mm Titanium Dome Tweeter
- DC Resistance: 4,3 ohm
- * Crossover Network: NNJ40 MKII (2709360)

PHYSICAL SPECIFICATIONS:

- * Enclosure Dimensions (H.W.D): 23,6x10,4x12,1 In. D (600x264x307mm D)
- * Shipping Weight: 32 lbs. (14,5 kg.)

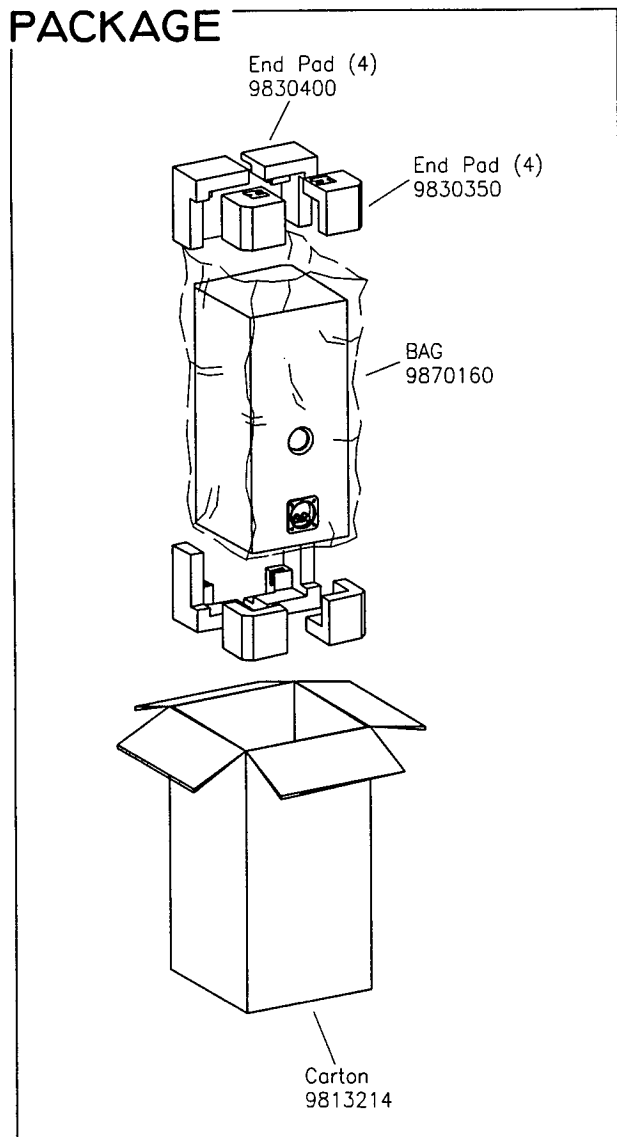
WARRANTY INFORMATION:

- * Refer to the Warranty Statement packed with each product

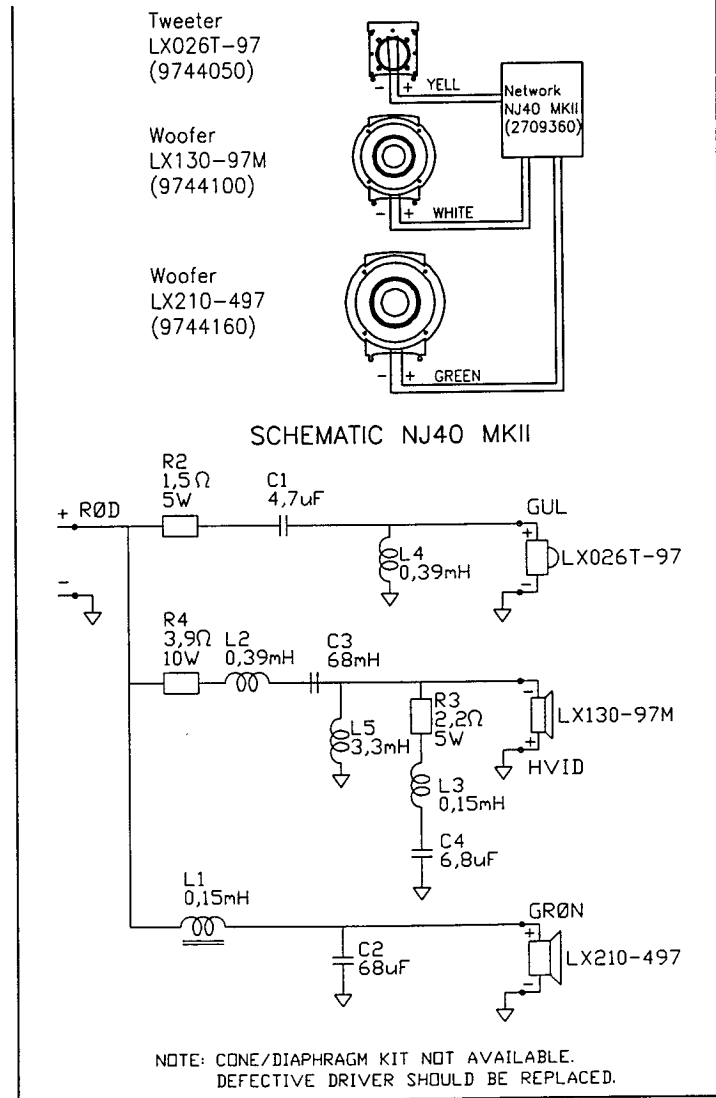
SYSTEM COMPONENTS:

- * Cabinet CNJ40 MKII (Not for sale)
- * Grille: GNJ40 MKII (2409360)
- * Woofer LX210-497 210mm Woofer 38mm voice coil
- DC Resistance: 5 ohm
- * Midrange LX130-97M 130mm Midrange 30mm voice coil

PACKAGE



WIRING DIAGRAM

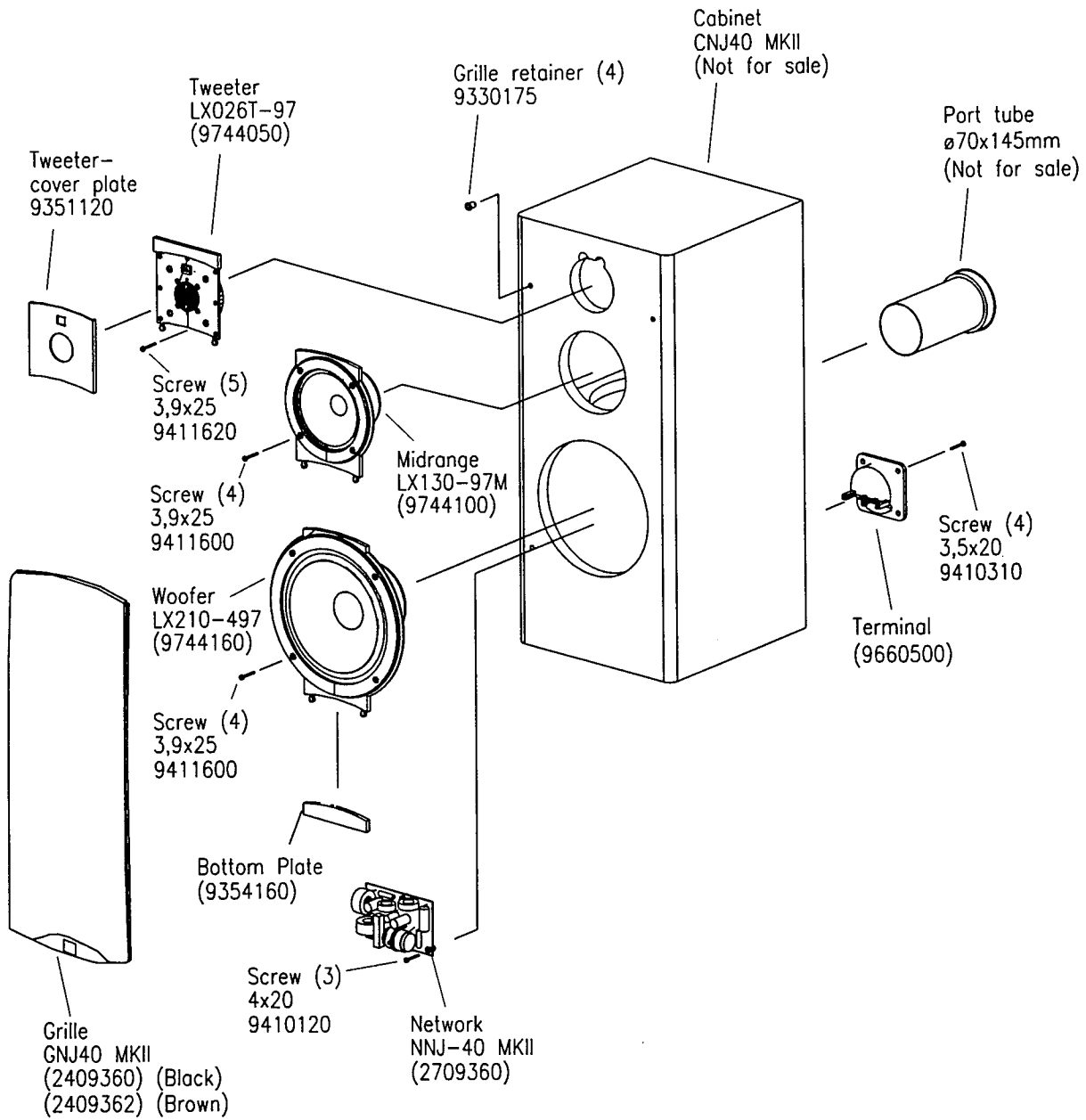


NJ40 MKII

Valid from serial no. 01001
Rev. 21/11-1997

NJ40 MKII

COMPONENT EXPLODED VIEW



NJ40 MKII