



NJ-REAR

SPECIFICATIONS

ACOUSTIC & ELECTRICAL SPECIFICATIONS:

- * Nominal Impedance: 8 ohm
- * Recommended Amp Power: 20W
- * Frequency Response: 200 Hz - 6 kHz (-6dB)
- * Sensitivity: 88 dB / 2,83V / 1 m

SYSTEM COMPONENTS:

- * Cabinet: CNJ-REAR (Not for sale)
- * Grille: GNJ-REAR (2408920)
- * Woofer: Vifa K10 110mm Woofer
Polymer laminate cone
- DC Resistance: 4,5 ohm

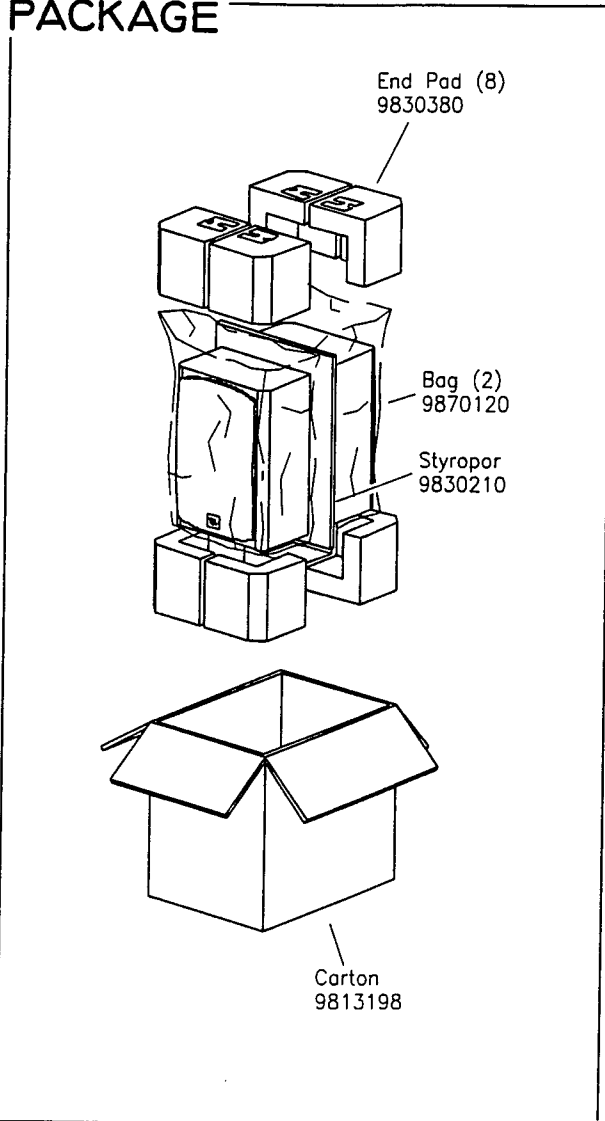
PHYSICAL SPECIFICATIONS:

- * Enclosure Dimensions (H.W.D): 10,2x5,1x7 in. D
(260x130x180mm D)
- * Shipping Weight: 14.3 lbs. (6,5 kg.)

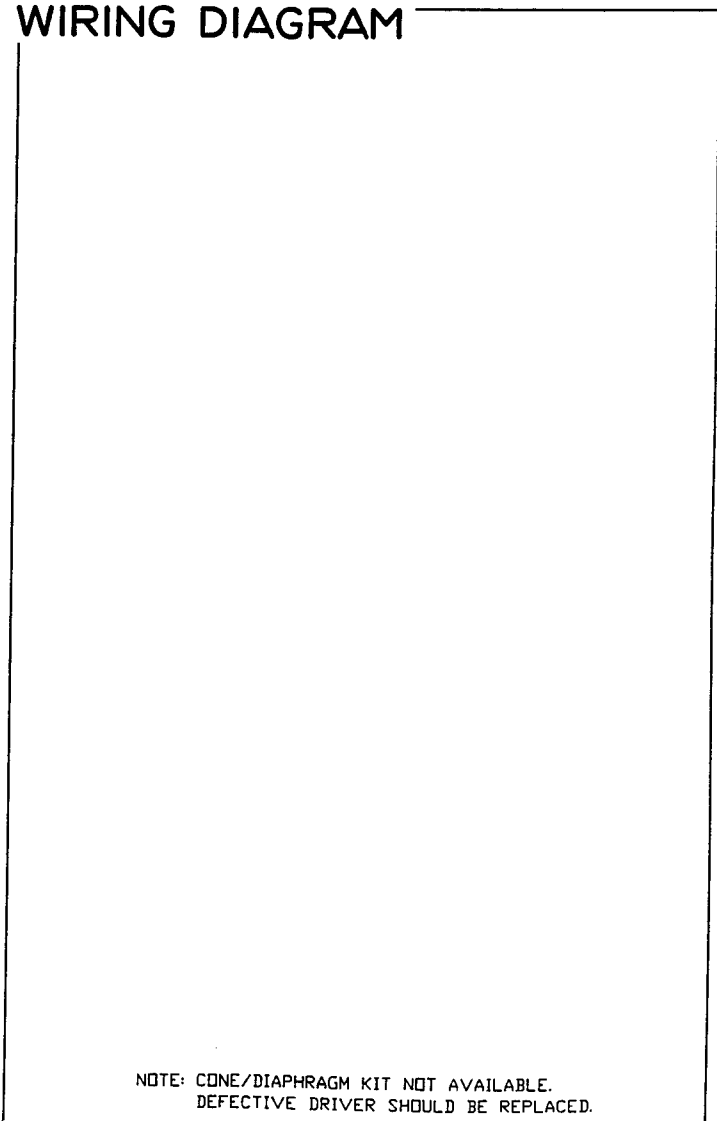
WARRANTY INFORMATION:

- * Refer to the Warranty Statement packed with each product

PACKAGE



WIRING DIAGRAM



NOTE: CONE/DIAPHRAGM KIT NOT AVAILABLE.
DEFECTIVE DRIVER SHOULD BE REPLACED.

NJ-REAR

Valid from serial no. 01001 BK
Valid from serial no. 01001 CH
REV. 8/7-1997

NJ-REAR

COMPONENT EXPLODED VIEW

