

# NJ-CENTER



## SPECIFICATIONS

### ACOUSTIC & ELECTRICAL SPECIFICATIONS:

- \* Nominal Impedance: 8 ohm
- \* Recommended Amp Power: 10-100W
- \* Frequency Response: 100 Hz - 20000 Hz
- \* Sensitivity: 87 dB / 2,83V / 1 m
- \* Crossover frequency: 600 Hz / 3 kHz

### SYSTEM COMPONENTS:

- \* Cabinet: CNJ-Center (Not for sale)
- \* Grille: GNJ-Center (2408900)
- \* Woofer: AT100MO 100 mm Woofer (2)
- DC Resistance: 7,8 ohm

### SYSTEM COMPONENTS: (cont'd)

- \* Tweeter: TW010MR 25mm Titanium Dome Tweeter
- DC Resistance: 5,3 ohm
- \* Crossover Network: NNJ-Center (2705720)

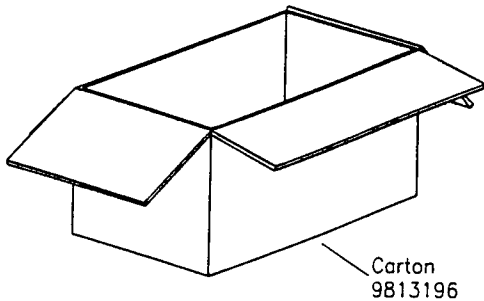
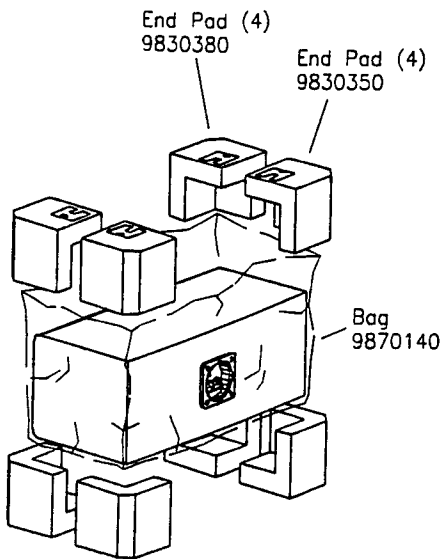
### PHYSICAL SPECIFICATIONS:

- \* Enclosure Dimensions (H.W.D): 7x17,8x8,9 in. D (180x452x225mm D)
- \* Shipping Weight: 12,1 lbs. (5,5 kg.)

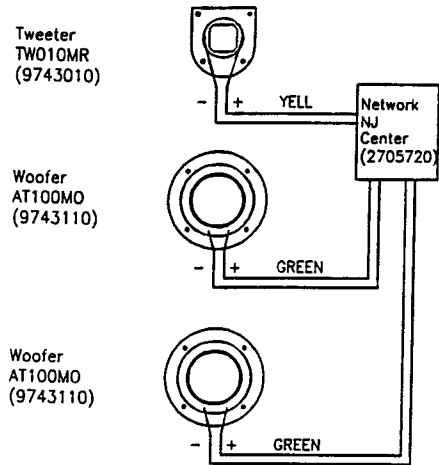
### WARRANTY INFORMATION:

- \* Refer to the Warranty Statement packed with each product

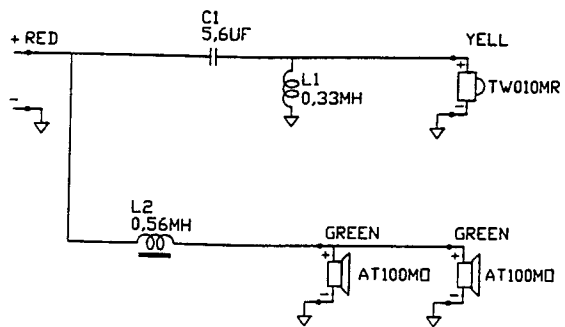
## PACKAGE



## WIRING DIAGRAM



### SCHEMATIC NJ-CENTER



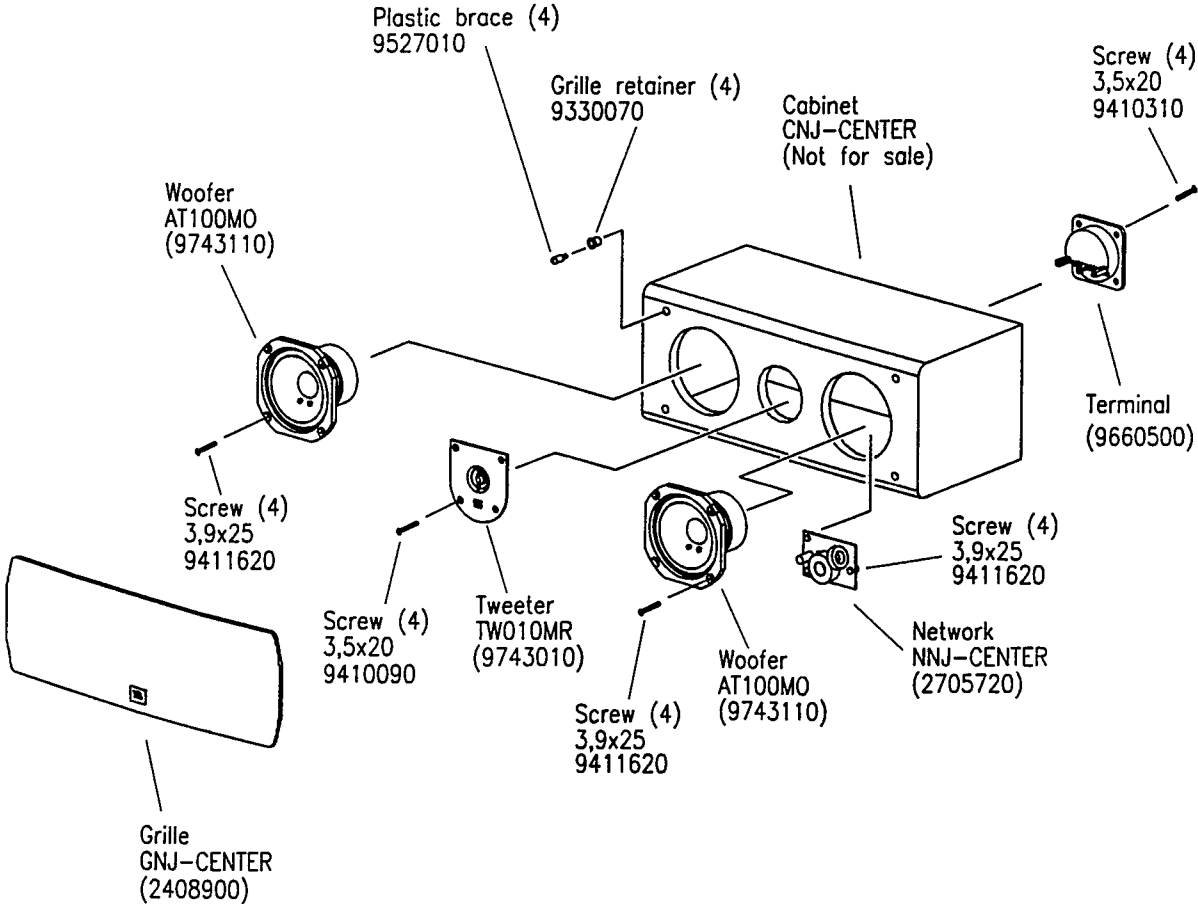
NOTE: CONE/DIAPHRAGM KIT NOT AVAILABLE.  
DEFECTIVE DRIVER SHOULD BE REPLACED.

NJ-CENTER

Valid from serial no. 01001 BK  
Valid from serial no. 01001 CH  
Rev.8/7-1997

# NJ-CENTER

## COMPONENT EXPLODED VIEW



NJ-CENTER