

Technical Manual

Music-10



SPECIFICATIONS

ACOUSTIC & ELECTRICAL SPECIFICATIONS:

- * Nominal Impedance: 8 ohm
- * Recommended Amp Power: 10-120W
- * Frequency Response: 40 Hz - 150 Hz (±3dB)
- * Sensitivity: 88 dB / 1W / 1 m
- * Crossover frequency: 150 Hz

SYSTEM COMPONENTS:

- * Cabinet: CMusic-10 (Not for sale)
- * Woofer: HT131JL2, 133mm Woofer
25mm voice coil
- DC Resistance: 6 ohm
- * Woofer: HT131JL4, 133mm Woofer
25mm voice coil

SYSTEM COMPONENTS: (cont'd)

- DC Resistance: 6 ohm
- * Crossover Network: NMusic-10 (2701520)
- * Satellites: Sat-10 (2 pcs)

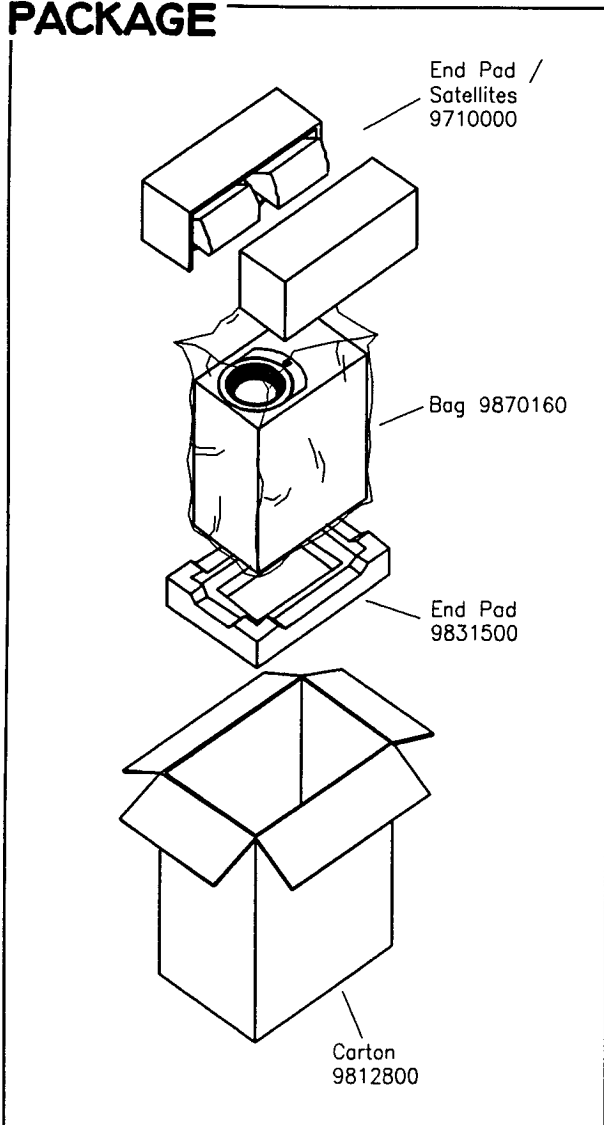
PHYSICAL SPECIFICATIONS:

- * Enclosure Dimensions (H.W.D): 14,25x8,5x19 In. D
(361x208x465mm D)
- * Shipping Weight: 28 lbs. (12,7 kg.)

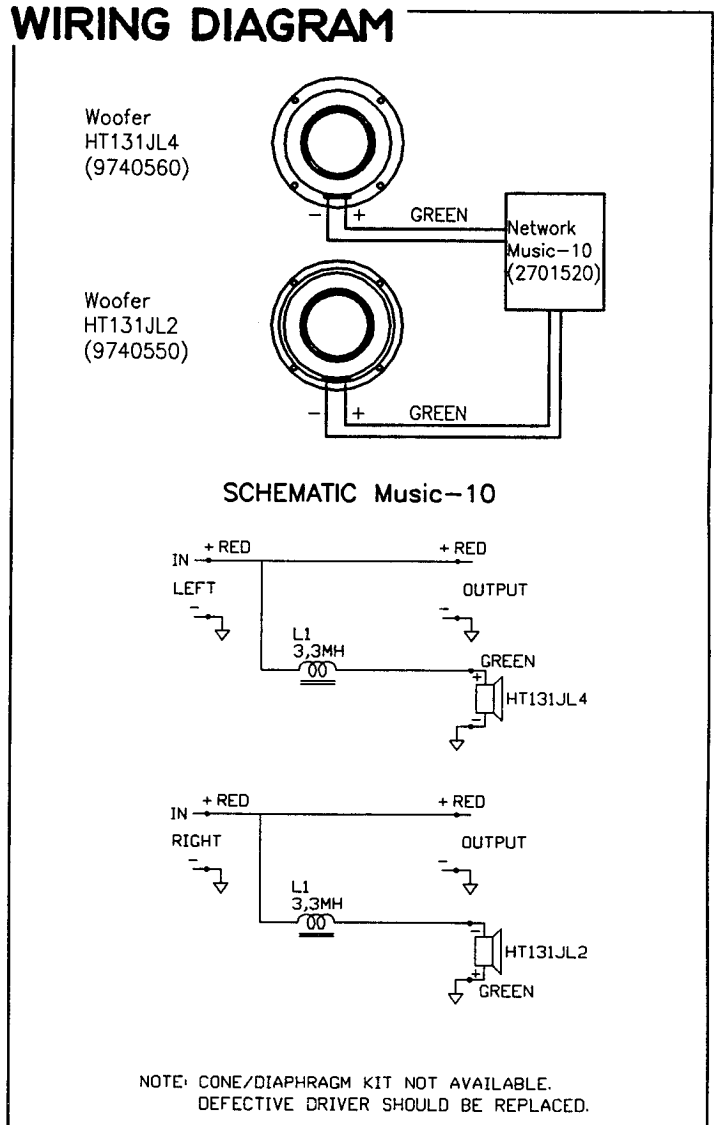
WARRANTY INFORMATION:

- * Refer to the Warranty Statement packed with each product

PACKAGE



WIRING DIAGRAM

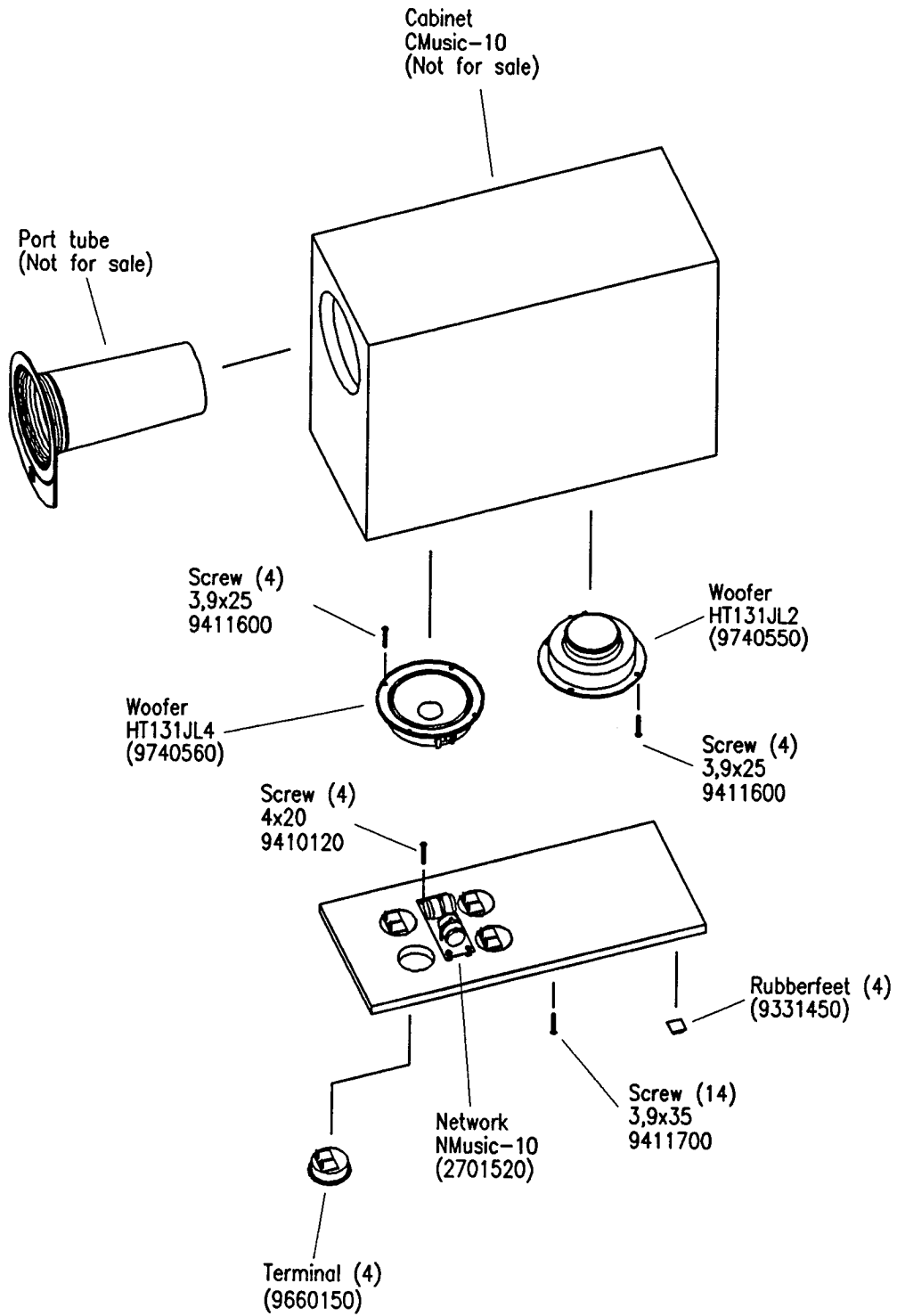


Music-10

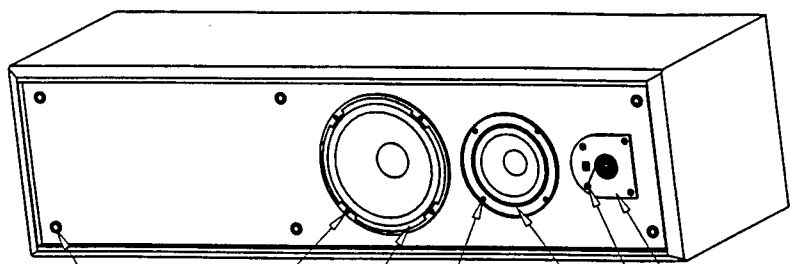
Valid from serial no. 01001
Rev. 5/2-1996

Music-10

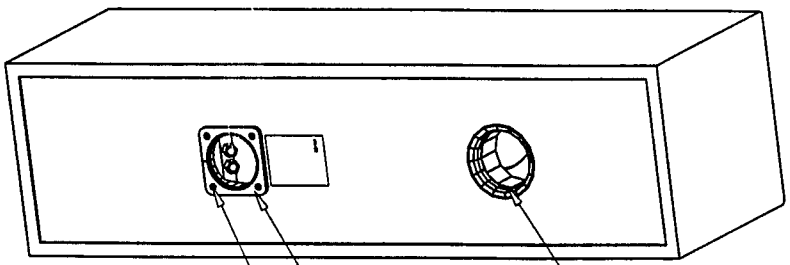
COMPONENT EXPLODED VIEW



Music-10



- TWEETER TW010MR BLK (9743020)
- SCREW 3,5x20 (4) (9410090)
- MIDRANGE HT110JL14 (9743350)
- SCREW 3,9x25 (4) (9411600)
- WOOFER HP170JL8 (9743400)
- SCREW 3,9x25 (4) (9411600)
- GRILLE RETAINER (6) (9330070)



- PORT TUBE (NOT FOR SALE)
- TERMINAL (9660500)
- SCREW 3,5x20 (4) (9410310)

GRILLE :2407610
NETWORK :2707760