

Technical Manual



JBL MR805

SPECIFICATIONS

ACOUSTIC & ELECTRICAL SPECIFICATIONS:

- Nominal Impedance: 8 ohm
- Power Capacity: Continuous Pink Noise: 250W
Peak Pink Noise: 1000W
- Frequency Range: 55 Hz to 20 kHz ($\pm 10\text{dB}$)
- Sensitivity: 101 dB SPL*
- Crossover Frequencies: 1.5 kHz

SYSTEM COMPONENTS:

- Cabinet: CMR805
- Grille: GMR805 (73232)
- Low Frequency Transducer: 380mm (15 in.) Cone Transducer 2032H (72782-01)
- DC Resistance: 4.25 ohm $\pm 10\%$ - Aluminum Wire

SYSTEM COMPONENTS: (cont'd)

- High Frequency Transducer: 25mm (1 in.) Pure Titanium Compression Driver 2416H-1 (64315-02)
- DC Resistance: 3.2 ohm $\pm 8\%$ - Aluminum Wire
- Crossover Network: NMR805 (73233-01)

AURAL SWEEP TEST SPECIFICATIONS:

- A. System Aural Sweep Test: 7.0V Input, 20 Hz to 20 kHz
- B. L.F. Aural Sweep Test: 7.0V Input, 20 Hz to 1.2 kHz
- C. H.F. Aural Sweep Test: 2.83V Input, 550 Hz to 1.2 kHz

PHYSICAL SPECIFICATIONS:

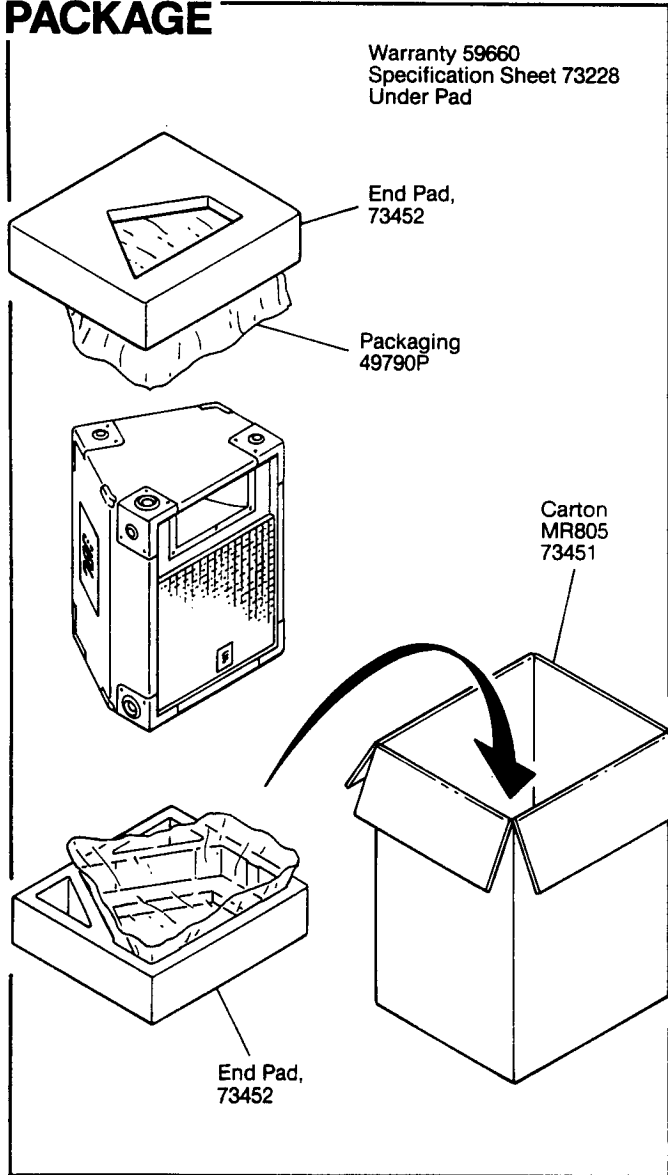
- Enclosure Dimensions: 505mm x 667mm x 441mm D (20.0 x 26.25 x 17.0 in. D)
- Shipping Weight: 75 lbs. (34 kg)

WARRANTY INFORMATION:

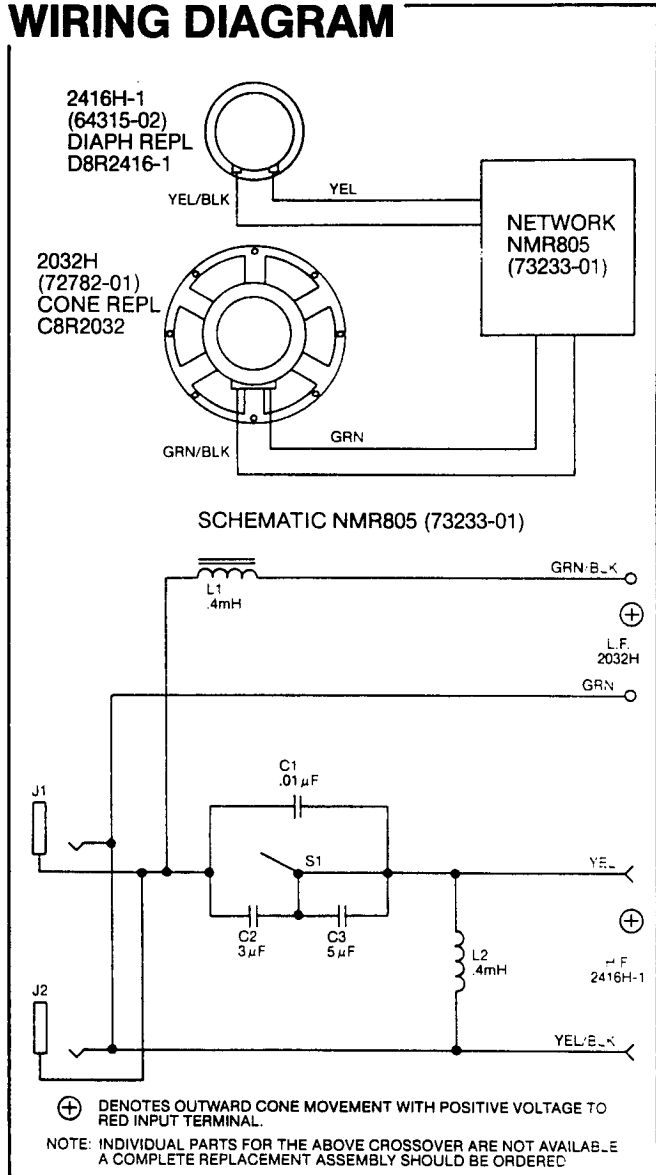
- Refer to the Warranty Statement packed with each product.

*1 Watt (2.83 V RMS) @ 1 Meter

PACKAGE



WIRING DIAGRAM



JBL MR805 REV B

JBL MR805

COMPONENT EXPLODED VIEW

