

MK-1000

SPECIFICATIONS

ACOUSTIC & ELECTRICAL SPECIFICATIONS:

- * Nominal Impedance: 4 ohm
- * Recommended Amp Power: 10-80W
- * Frequency Response: 45 Hz - 20 kHz (-6dB)
- * Sensitivity: 89 dB / 2.83V / 1 m
- * Crossover frequency: 800HZ / 3.5 kHz

SYSTEM COMPONENTS:

- * Cabinet: CMK-1000 (Not for sale)
- * Grille: GMK-1000 (2407600)
- * Woofer: HP170JL8 170mm Woofer
- * Midrange: HT110JL14 100mm Midrange

SYSTEM COMPONENTS: (cont'd)

- * Tweeter: TW010MR BLK 10mm
- * Crossover Network: NMK-1000 (2707760)

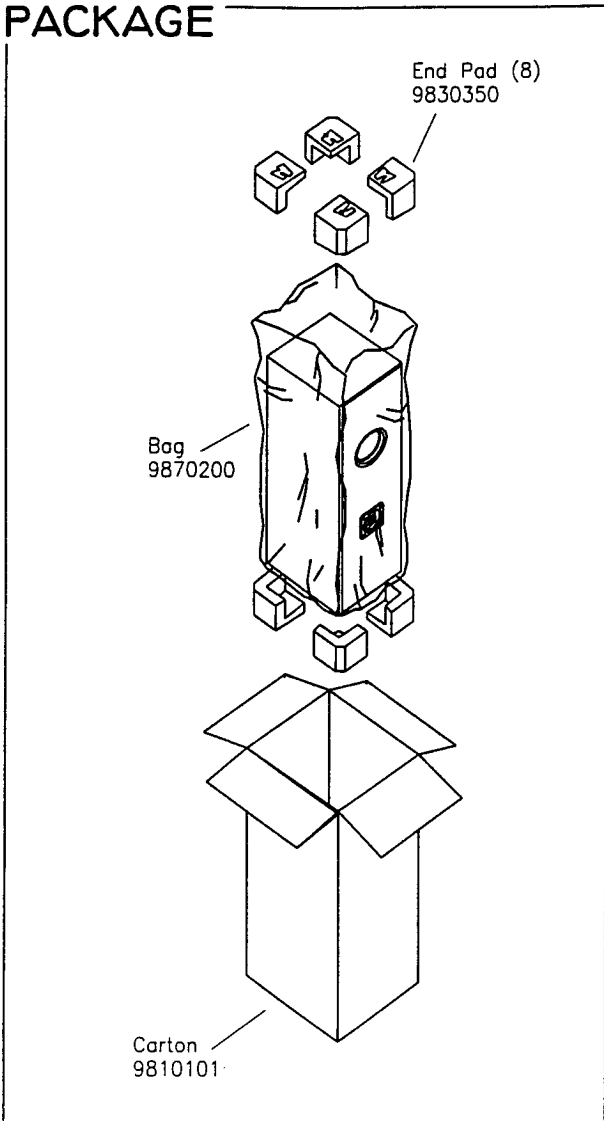
PHYSICAL SPECIFICATIONS:

- * Enclosure Dimensions (H.W.D): 33,1x8,4x11,2 in.
(840x214x284mm.)
- * Shipping Weight: 33 lbs. (15 kg.)

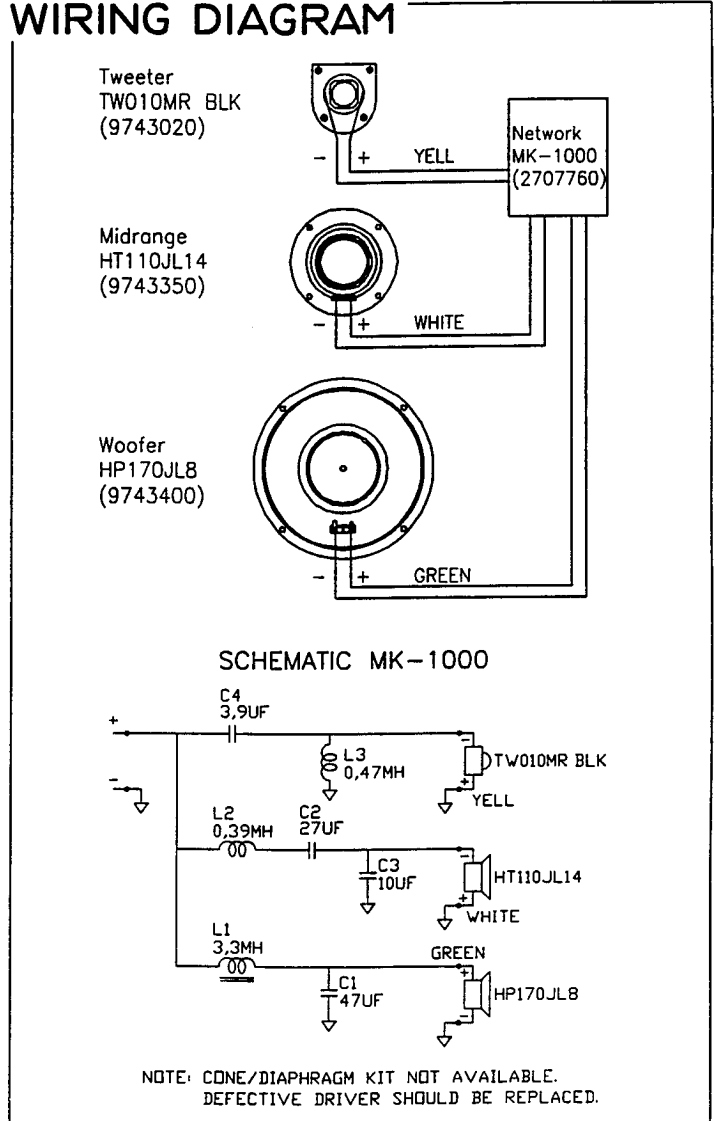
WARRANTY INFORMATION:

- * Refer to the Warranty Statement packed with each product

PACKAGE



WIRING DIAGRAM



MK-1000

Valid from serial no. 01001 BK
Valid from serial no. 01001 CH
Rev. 8/6-1997