

# Technical Manual



# JBL MI-632A

## SPECIFICATIONS

### ACOUSTIC & ELECTRICAL SPECIFICATIONS:

- Nominal Impedance: 8 ohm
- Power Capacity: Continuous Pink Noise: 150W  
Continuous Program: 300W
- Frequency Range: 45 Hz to 15 kHz
- Sensitivity: 104 dB SPL\*
- Crossover Frequencies: 1.5 kHz

### SYSTEM COMPONENTS:

- Cabinet: CMI-632
- Grille: Kick Screen 64762
- Low Frequency Transducer: 380mm (15 in.) Cone Transducer (MI-15A)
- DC Resistance: 5.8 ohm ±10% Copper Wire

\*1 Watt (2.83 V RMS) @ 1 Meter

### SYSTEM COMPONENTS: (cont'd)

- High Frequency Transducer: 25mm (1 in.) Pure Titanium Diaphragm Compression Driver (2415H)
- DC Resistance: 4.9 ohm ±10% Copper Wire
- Crossover Network: NMI-632A/291 (65665)

### AURAL SWEEP TEST SPECIFICATIONS:

- A. System Aural Sweep Test: 7.0V Input, 20 Hz to 20 kHz
- B. L.F. Aural Sweep Test: 8.0V Input, 20 Hz to 1.2 kHz
- C. H.F. Aural Sweep Test: 2.83V Input, 550 Hz to 1.2 kHz

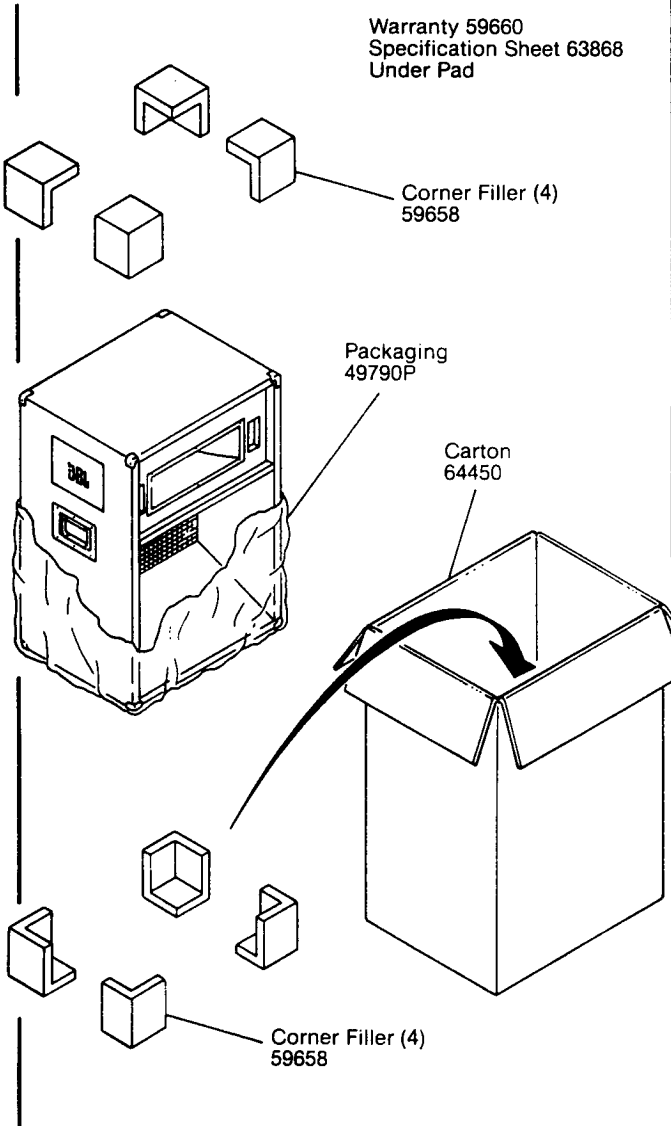
### PHYSICAL SPECIFICATIONS:

- Enclosure Dimensions: 826mm x 610mm x 445mm D (32.5 x 24.0 x 17.5 in. D)
- Shipping Weight: 100 lbs. (45.4 kg)

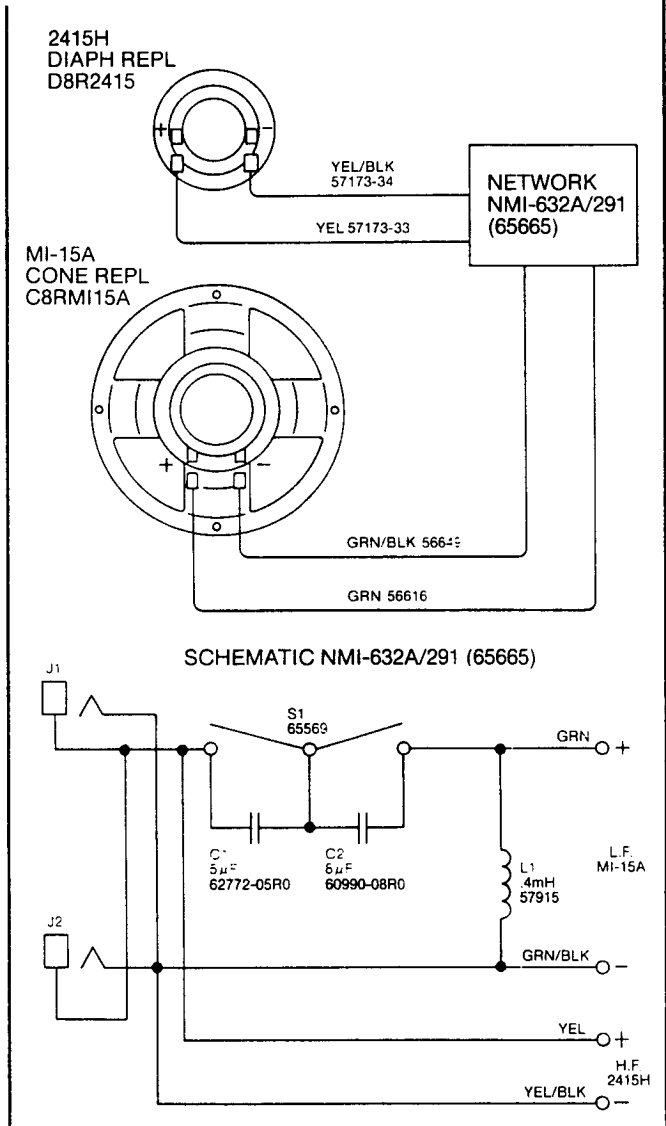
### WARRANTY INFORMATION:

- Refer to the Warranty Statement packed with each product.

## PACKAGE

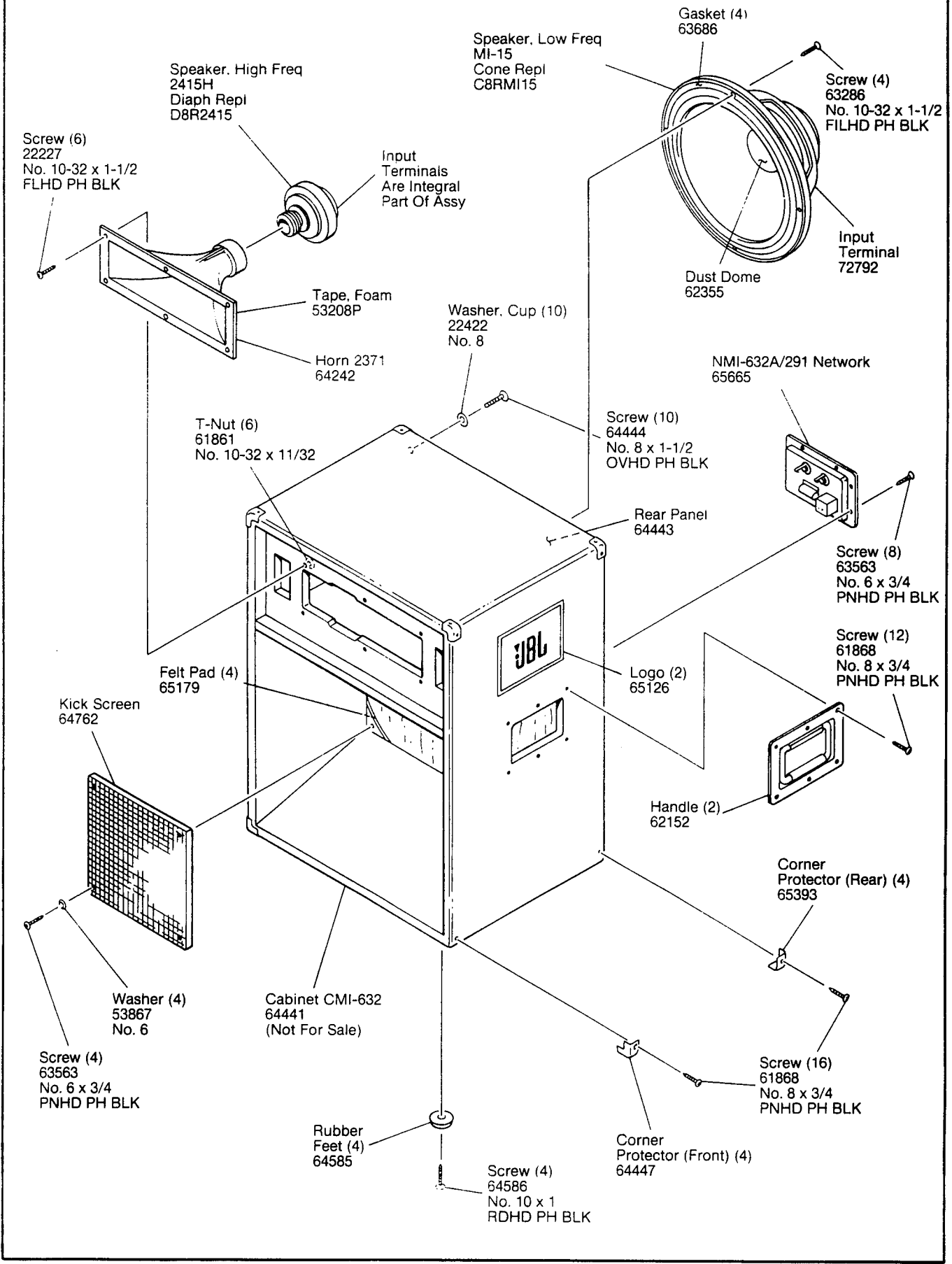


## WIRING DIAGRAM



# JBL MI-632A

## COMPONENT EXPLODED VIEW



JBL MI-632A