

Technical Manual



JBL MI-632

SPECIFICATIONS

ACOUSTIC & ELECTRICAL SPECIFICATIONS:

- Nominal Impedance: 8 ohm
- Power Capacity: Continuous Pink Noise: 150W
Continuous Program: 300W
- Frequency Range: 50 Hz to 15 kHz
- Sensitivity: 102 dB SPL*
- Crossover Frequencies: 1.5 kHz

SYSTEM COMPONENTS:

- Cabinet: CMI-632
- Grille: Kick Screen 64762
- Low Frequency Transducer: 380mm (15 in.) Cone Transducer (MI-15)
- DC Resistance: 5.6 ohm \pm 10% Aluminum Wire

SYSTEM COMPONENTS: (cont'd)

- High Frequency Transducer: 25mm (1 in.) Pure Titanium Diaphragm Compression Driver (2415H)
- DC Resistance: 4.9 ohm \pm 10% Copper Wire
- Crossover Network: NMI-632 (64449-01)

AURAL SWEEP TEST SPECIFICATIONS:

- A. System Aural Sweep Test: 7.0V Input, 20 Hz to 20 kHz
- B. L.F. Aural Sweep Test: 8.0V Input, 20 Hz to 1.2 kHz
- C. H.F. Aural Sweep Test: 2.83V Input, 550 Hz to 1.2 kHz

PHYSICAL SPECIFICATIONS:

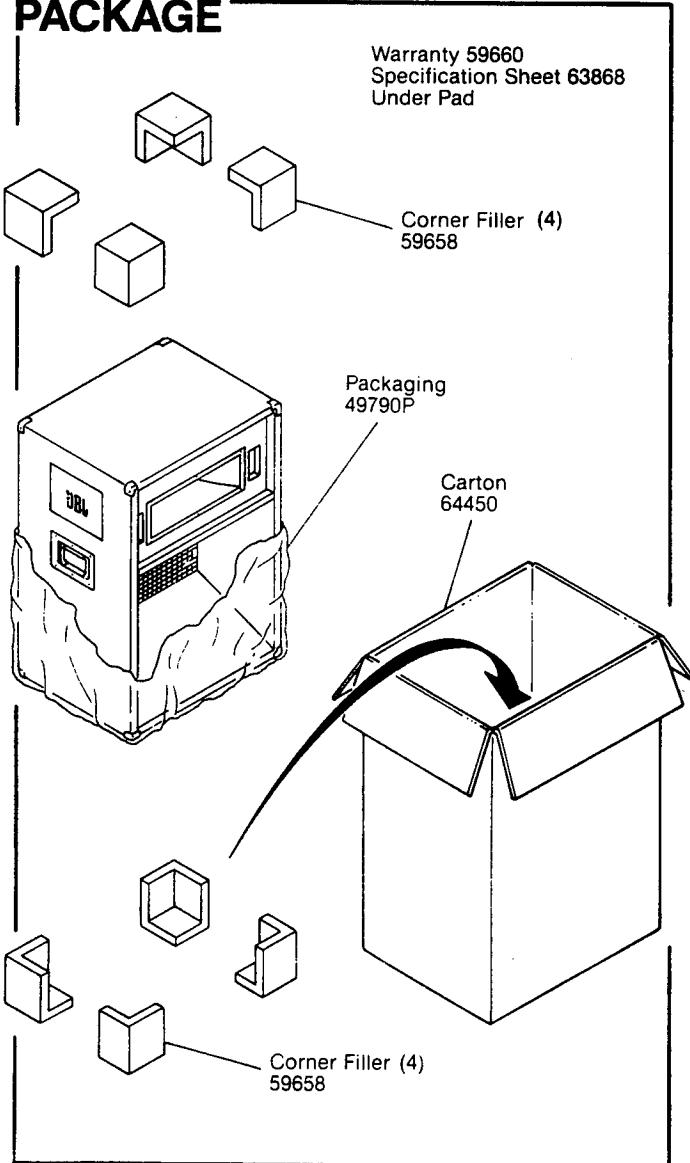
- Enclosure Dimensions: 840mm x 615mm x 436mm D (32.75 x 24.0 x 17.0 in. D)
- Shipping Weight: 100 lbs. (45.4 kg)

WARRANTY INFORMATION:

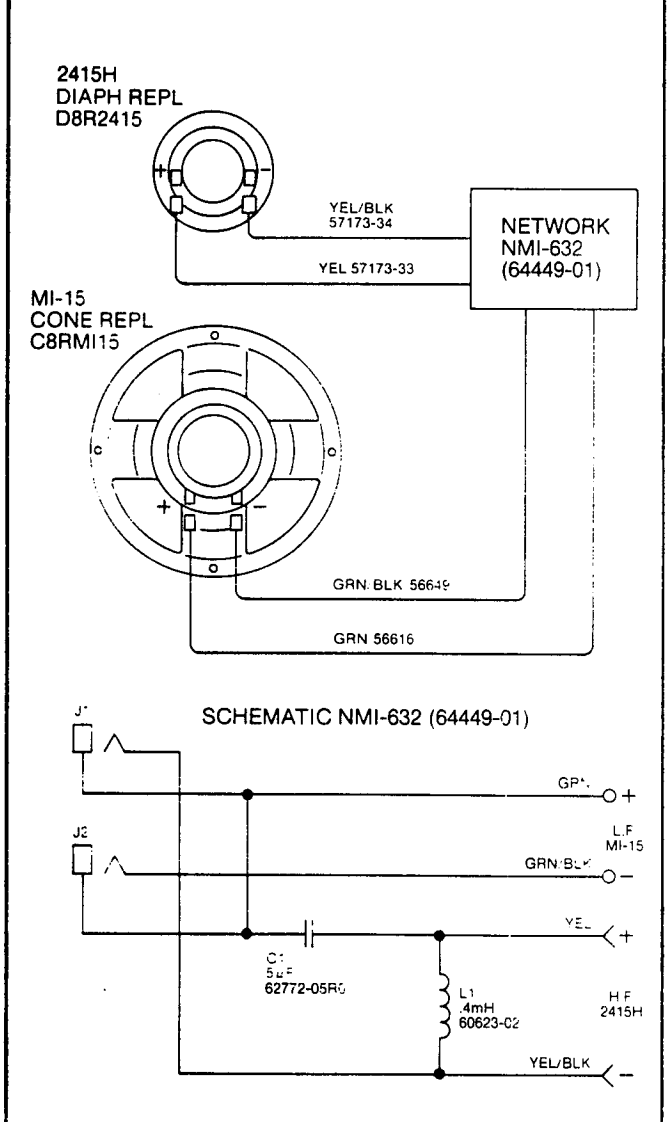
- Refer to the Warranty Statement packed with each product.

*1 Watt (2.83 V RMS) @ 1 Meter

PACKAGE



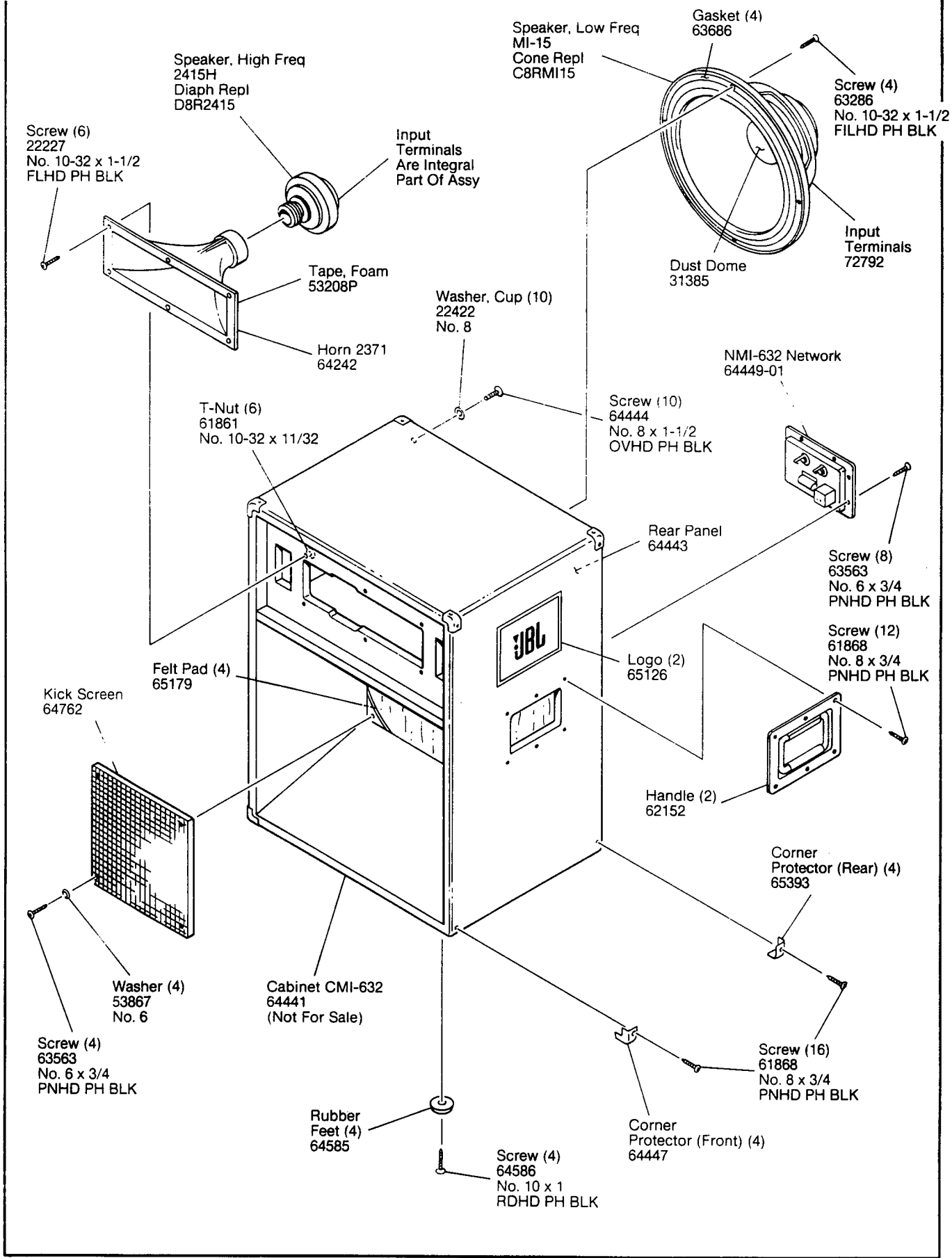
WIRING DIAGRAM



JBL MI-632 REV B

JBL MI-632

COMPONENT EXPLODED VIEW



JBL MI-632