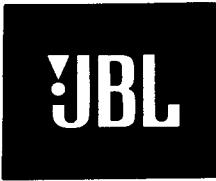


# Technical Manual

# JBL M350



## SPECIFICATIONS

### ACOUSTIC & ELECTRICAL SPECIFICATIONS:

- Nominal Impedance: 8 ohms
- Power Rating: 350 Watts IEC
- Frequency Response: (-10 dB) 32 Hz - 18 KHz
- Sensitivity: 99 dB\*
- Crossover Frequency: 1100 Hz

### SYSTEM COMPONENTS:

- Cabinets: CM350
- Grille: GM350
- Low Frequency Transducer: 380 mm (15 Inch) CONE

### SYSTEM COMPONENTS: (cont'd)

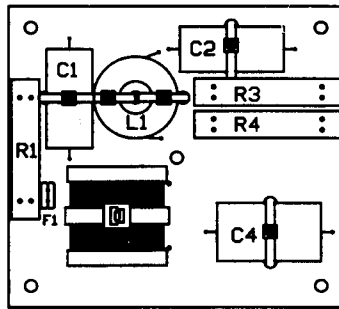
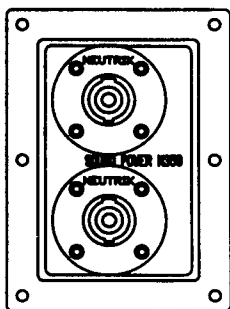
- High Frequency Transducer: 25 mm (1 Inch) Pure Titanium Diaphragm NM350
- Crossover Network: NM350

### PHYSICAL SPECIFICATIONS:

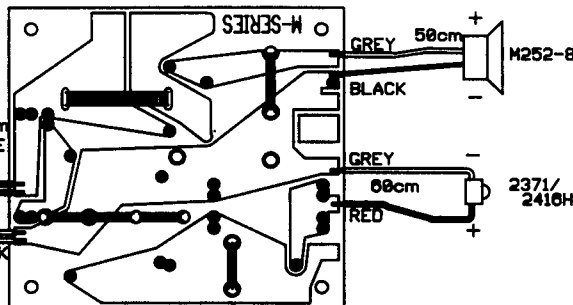
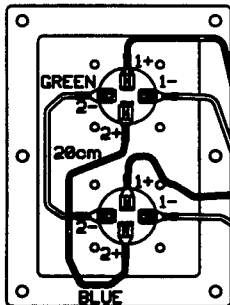
- Enclosure Dimensions: 900 x 520 x 430 (D) mm  
35,4 x 20,5 x 16,9 (D) Inch
- Shipping Weight: 45 Kg  
100,6 lbs

\*1 Watt (2,83 V RMS) @ 1 Meter

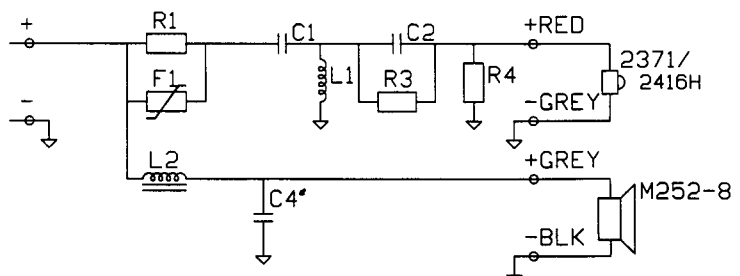
## WIRING DIAGRAM



F1	FUSE MF-R090	968090	2 PCS
R1	3,9 ohm/20W	964501	
R3	3,9 ohm/20W	964501	
R4	6,8 ohm/20W	964503	
C1	8 uF/250V	963803	
C2	12 uF/250V	963805	
C4	14 uF/250V	963809	
L1	0,75mH/0,8mm	965123	
L2	2,5mH/1,2mm	965526	



**SCHEMATIC M350**



## PACKAGE

CARTON  
981760

# JBL M350

## COMPONENT EXPLODED VIEW

