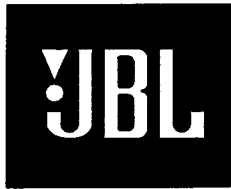


LX8GR



SPECIFICATIONS

ACOUSTIC & ELECTRICAL SPECIFICATIONS:

- * Nominal Impedance: 6 ohm
- * Recommended Amp Power: 10-200W
- * Frequency Response: 45 Hz - 20 kHz (-6dB)
- * Sensitivity: 88 dB / 2,83V / 1 m
- * Crossover frequency: 600 HZ / 2,5 KHZ

SYSTEM COMPONENTS:

- * Cabinet: CLX8GR (Not for sale)
- * Grille: GLX8GR (2409180)
- * Woofer: NJ170-10 165mm Woofer
30mm voice coil
- DC Resistance: 9,2 ohm
- * Midrange: NJ130-M 130mm Midrange
30mm voice coil

SYSTEM COMPONENTS: (cont'd)

- DC Resistance: 4,6 ohm
- * Tweeter: NJ026T 25mm
Titanium Dome Tweeter
- DC Resistance: 4,3 ohm
- * Crossover Network: NLX8GR (2709180)

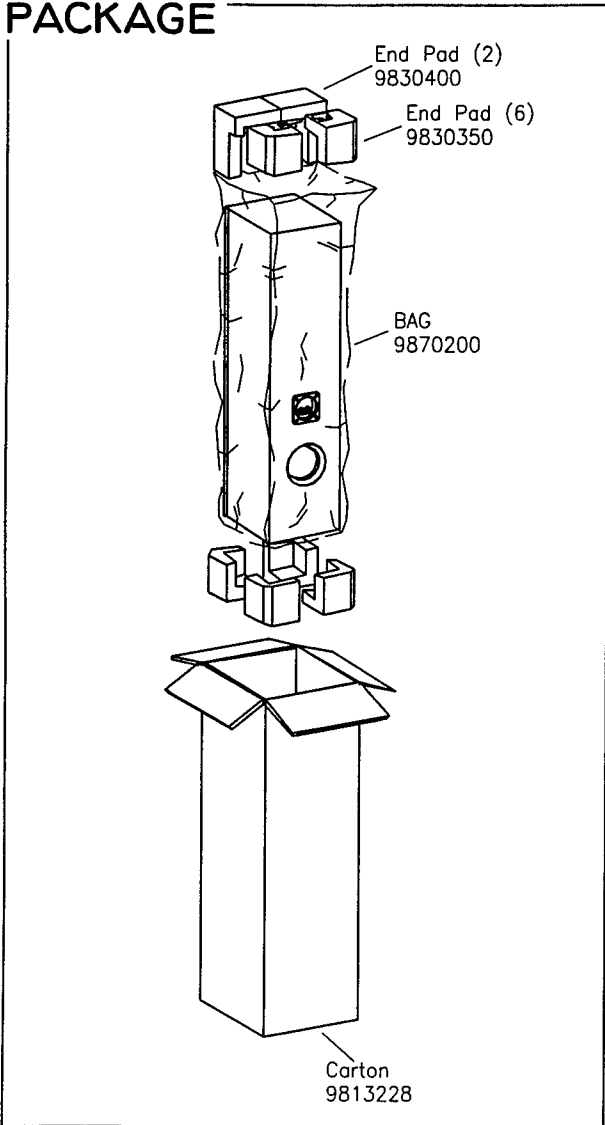
PHYSICAL SPECIFICATIONS:

- * Enclosure Dimensions (H.W.D): 35,4x8,7x11,4 In. D
(900x220x289mm D)
- * Shipping Weight: 37 lbs. (17 kg.)

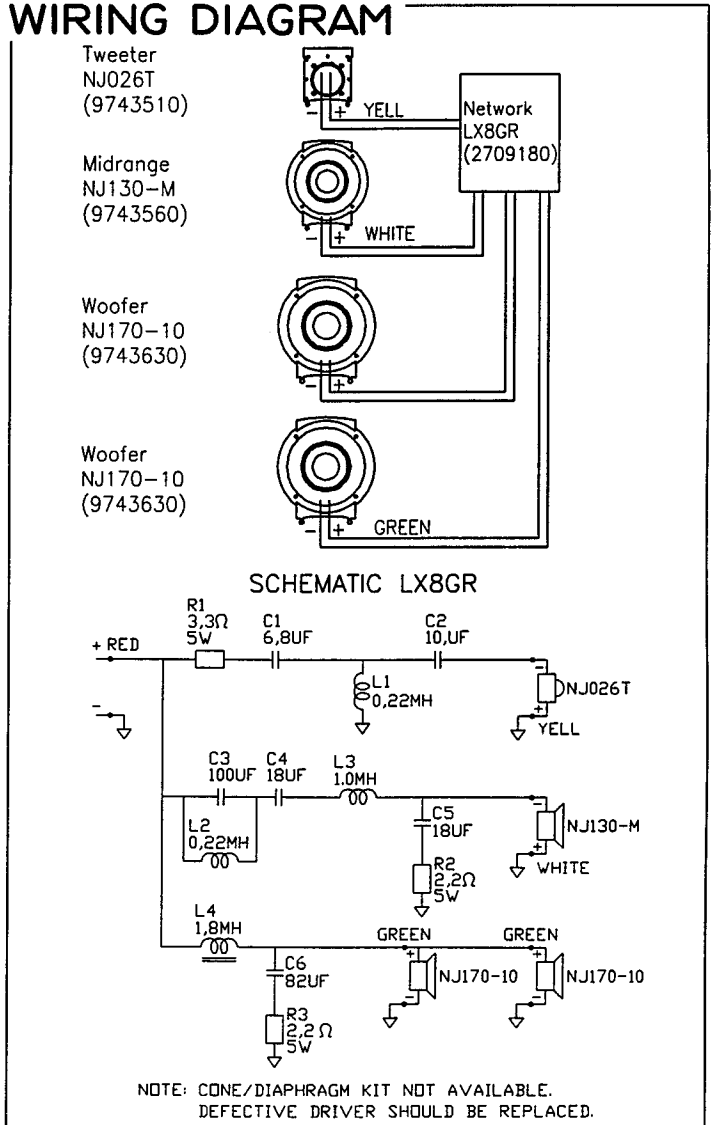
WARRANTY INFORMATION:

- * Refer to the Warranty Statement packed with each product

PACKAGE



WIRING DIAGRAM

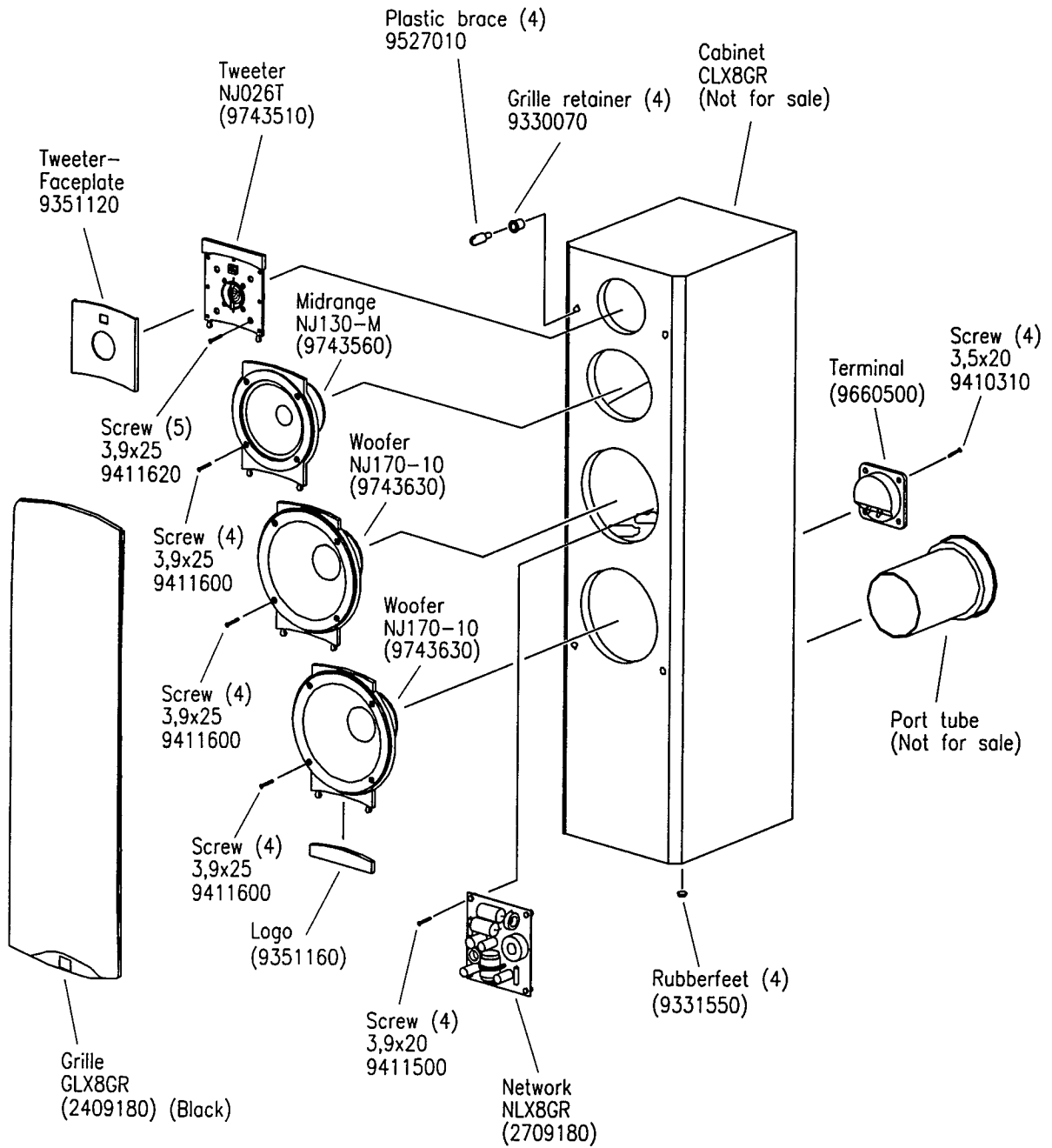


LX8GR

Valid from serial no. 01001 BK
Valid from serial no. 01001 CH
Rev. 13/11-1996

LX8GR

COMPONENT EXPLODED VIEW



LX8GR