

# Technical Manual

# LX7GR



## SPECIFICATIONS

### ACOUSTIC & ELECTRICAL SPECIFICATIONS:

- \* Nominal Impedance: 6 ohm
- \* Recommended Amp Power: 10-175W
- \* Frequency Response: 35 Hz - 20 kHz (-6dB)
- \* Sensitivity: 88 dB / 2,83V / 1 m
- \* Crossover frequency: 600 HZ / 2,5 KHZ

### SYSTEM COMPONENTS:

- \* Cabinet: CLX7GR (Not for sale)
- \* Grille: GLX7GR (2409140)
- \* Woofer: NJ210-5 210mm Woofer  
38mm voice coil
- DC Resistance: 5 ohm
- \* Midrange: NJ130-M 130mm Midrange  
30mm voice coil

### SYSTEM COMPONENTS: (cont'd)

- DC Resistance: 4,6 ohm
- \* Tweeter: NJ026T 25mm  
Titanium Dome Tweeter
- DC Resistance: 4,3 ohm
- \* Crossover Network: NLX7GR (2709140)

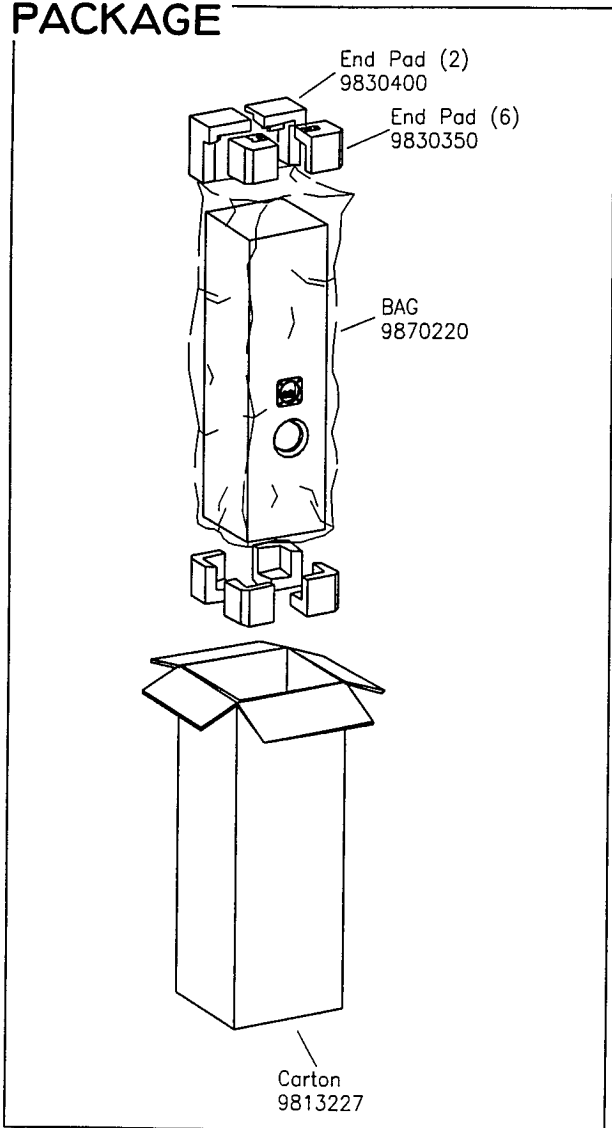
### PHYSICAL SPECIFICATIONS:

- \* Enclosure Dimensions (H.W.D): 37x10,4x12,2 In. D  
(940x264x309mm D)
- \* Shipping Weight: 44 lbs. (20 kg.)

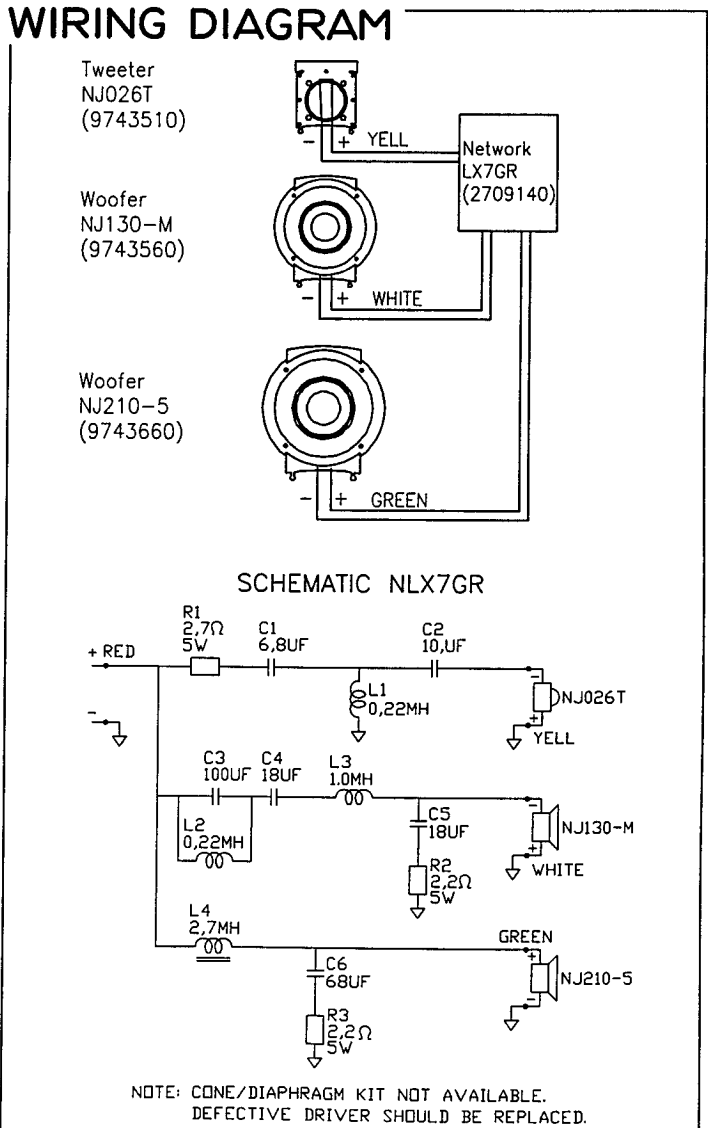
### WARRANTY INFORMATION:

- \* Refer to the Warranty Statement packed with each product

## PACKAGE



## WIRING DIAGRAM

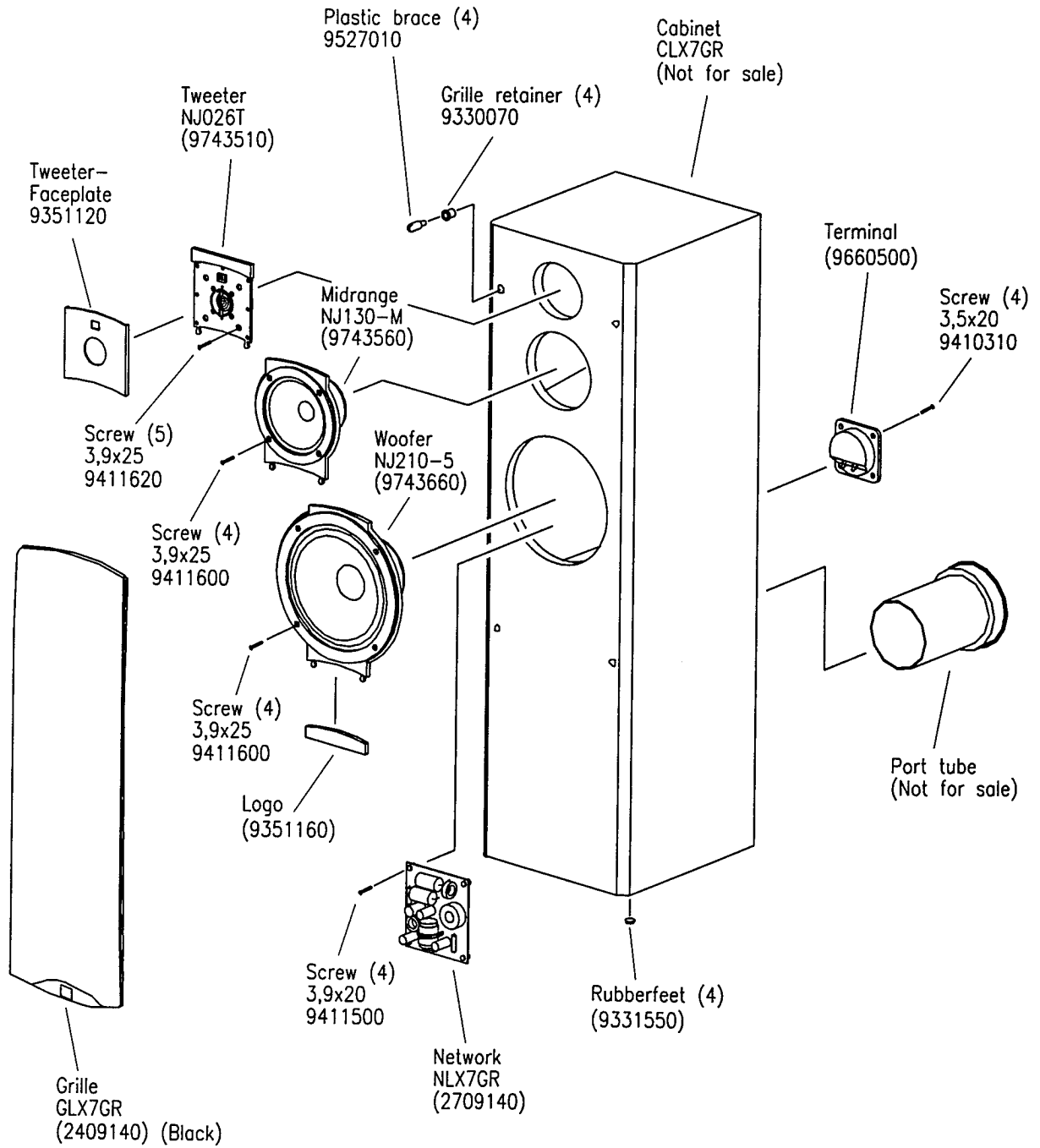


**LX7GR**

Valid from serial no. 01001 (BK)  
Rev. 13/11-1996

# LX7GR

## COMPONENT EXPLODED VIEW



LX7GR