



# LX600

## SPECIFICATIONS

**ACOUSTIC & ELECTRICAL SPECIFICATIONS:**

- Nominal Impedance: 8 ohm
- Recommended Amp Power: 10W to 200W
- Frequency Response: 40 Hz to 23 kHz (-6 dB)
- Sensitivity: 91 dB SPL\*
- Crossover Frequencies: 800 Hz and 4.7 kHz

**SYSTEM COMPONENTS:**

- Cabinet: CLX600
- Grille: GLX600
- Low Frequency Transducer: 410G-1 10 in. (254mm) High Polymer Laminate Cone Transducer
- DC Resistance: 5.0 ohm ±10% Copper Wire
- Mid Range Transducer: 405G-1 5 in. (127mm) High Polymer Laminate Cone Transducer
- DC Resistance: 5.0 ohm ±10% Copper Wire

**SYSTEM COMPONENTS: (cont'd)**

- High Frequency Transducer: 027Ti 1 in. (25mm) Pure Titanium Dome Transducer
- DC Resistance: 4.0 ohm ±10% Copper Wire
- Crossover Network: NLX600

**AURAL SWEEP TEST SPECIFICATIONS:**

- A. System Aural Sweep Test: 6.0V Input, 20 Hz to 20 kHz
- B. L.F. Aural Sweep Test: 6.0V Input, 20 Hz to 1 kHz
- C. M.F. Aural Sweep Test: 6.0V Input, 700 Hz to 5 kHz
- D. H.F. Aural Sweep Test: 2.83V Input, 2 Hz to 20 kHz

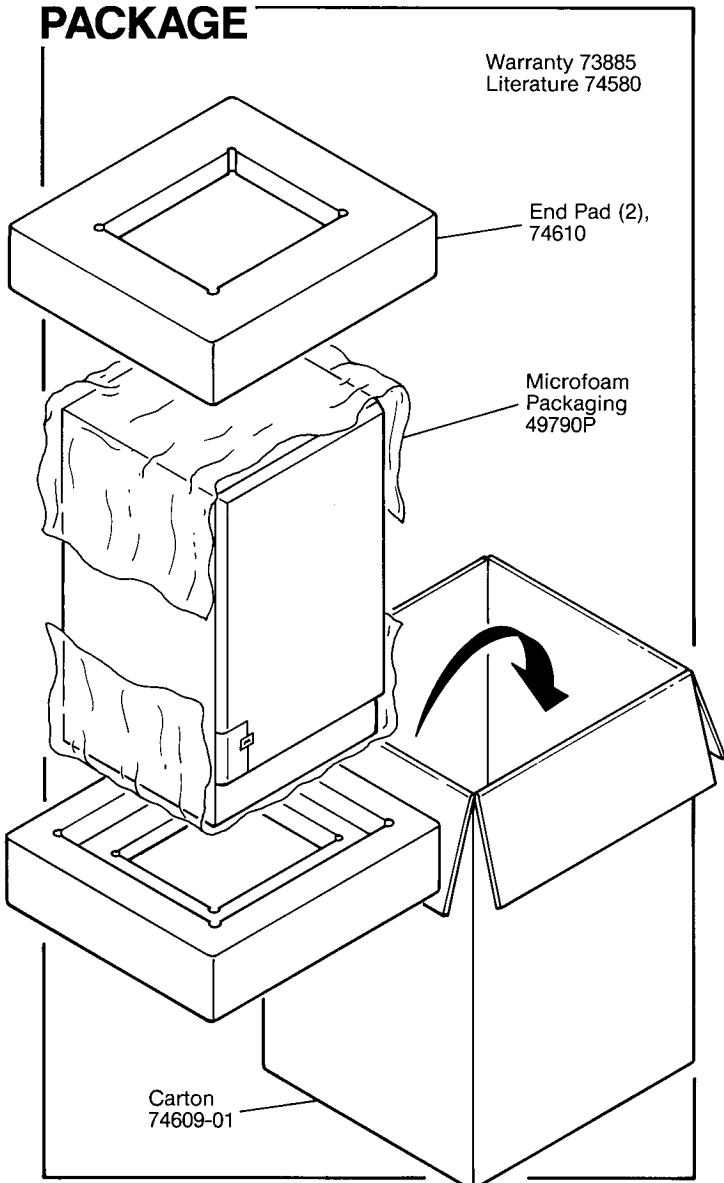
**PHYSICAL SPECIFICATIONS:**

- Enclosure Dimensions: 26.25 x 12.81 x 12.25 in. D (667mm x 326mm x 310mm D)
- Shipping Weight: 39 lbs. (17.7 kg.)

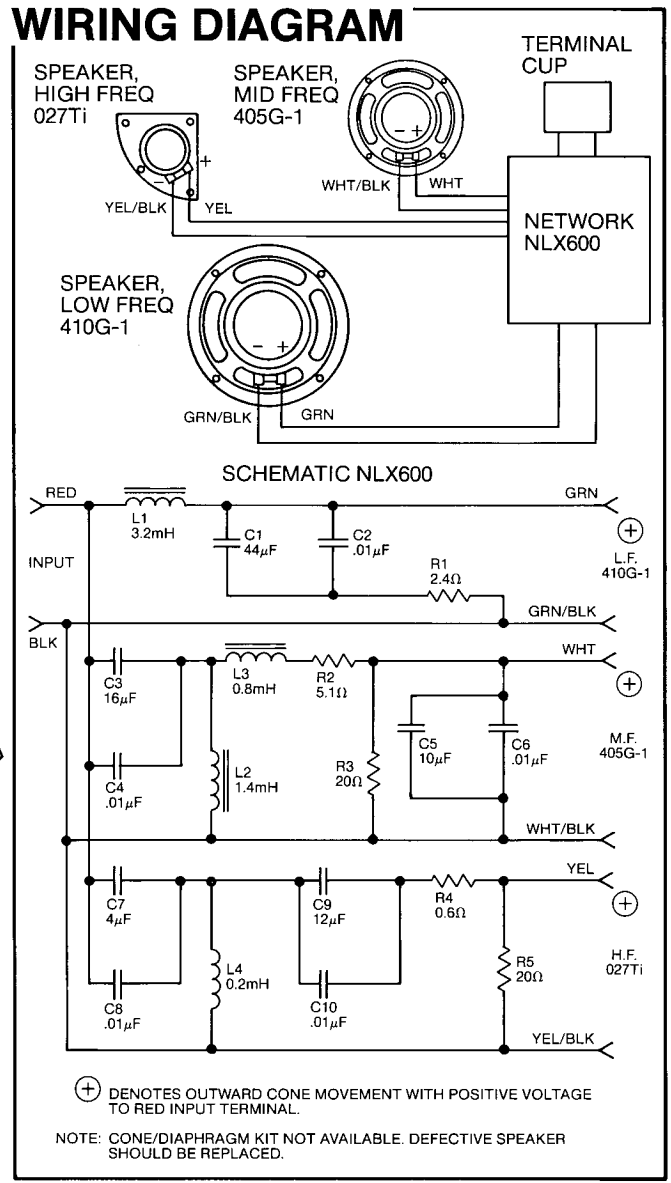
**WARRANTY INFORMATION:**

- Refer to the Warranty Statement packed with each product.
- \*1 Watt @ 1 Meter

### PACKAGE



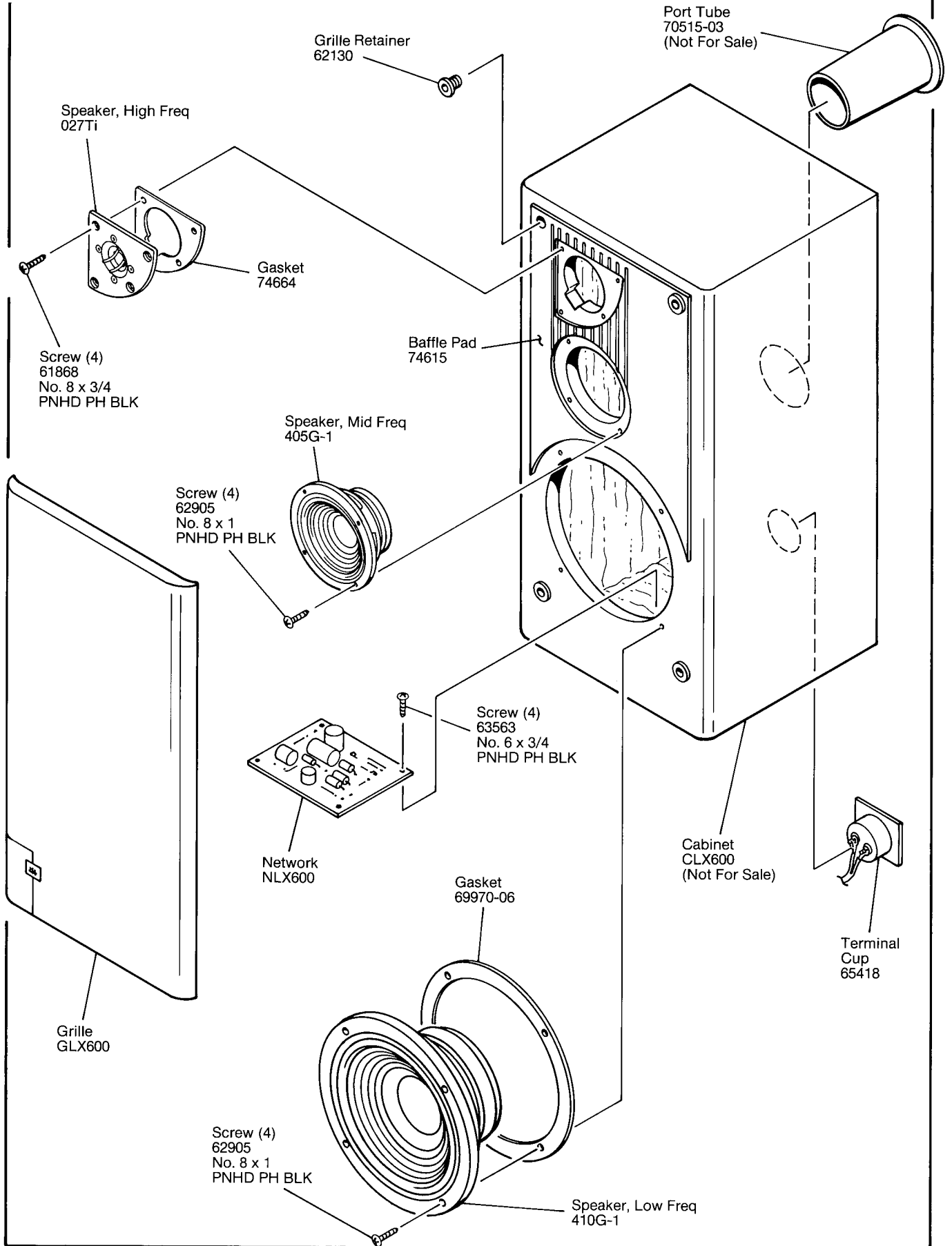
### WIRING DIAGRAM



LX600

# LX600

## COMPONENT EXPLODED VIEW



009X7