

LX55S



SPECIFICATIONS

ACOUSTIC & ELECTRICAL SPECIFICATIONS:

- * Nominal Impedance: 8 ohm
- * Recommended Amp Power: 10-200W
- * Frequency Response: 40 Hz - 20 kHz (-6dB)
- * Sensitivity: 92 dB / 2,83V / 1 m
- * Crossover frequency: 800HZ / 4 kHz

SYSTEM COMPONENTS:

- * Cabinet: CLX55S (Not for sale)
- * Grille: GLX55S (2400500)
- * Woofer: 410G 250mm Woofer
- * Midrange: P13mg-02-08 125mm

SYSTEM COMPONENTS: (cont'd)

- * Tweeter: A026TS-LX 25mm Titanium Dome Tweeter
- * Crossover Network: NLX55S (2700530)

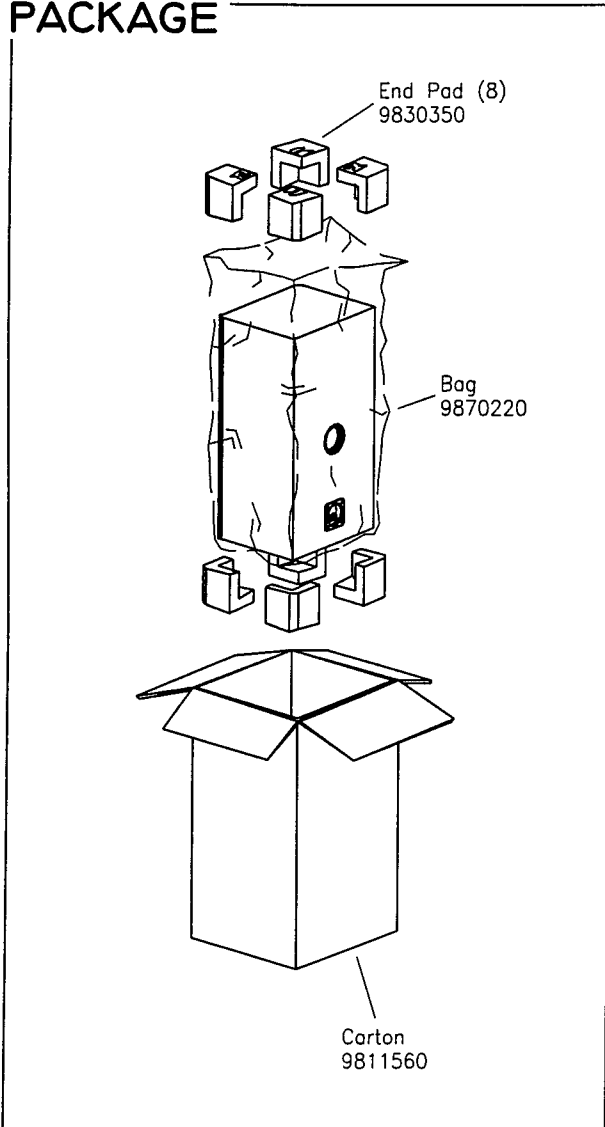
PHYSICAL SPECIFICATIONS:

- * Enclosure Dimensions (H.W.D): 26x13,5x11,8 in. D (660x343x299mm D)
- * Shipping Weight: 38,5 lbs. (17.5 kg.)

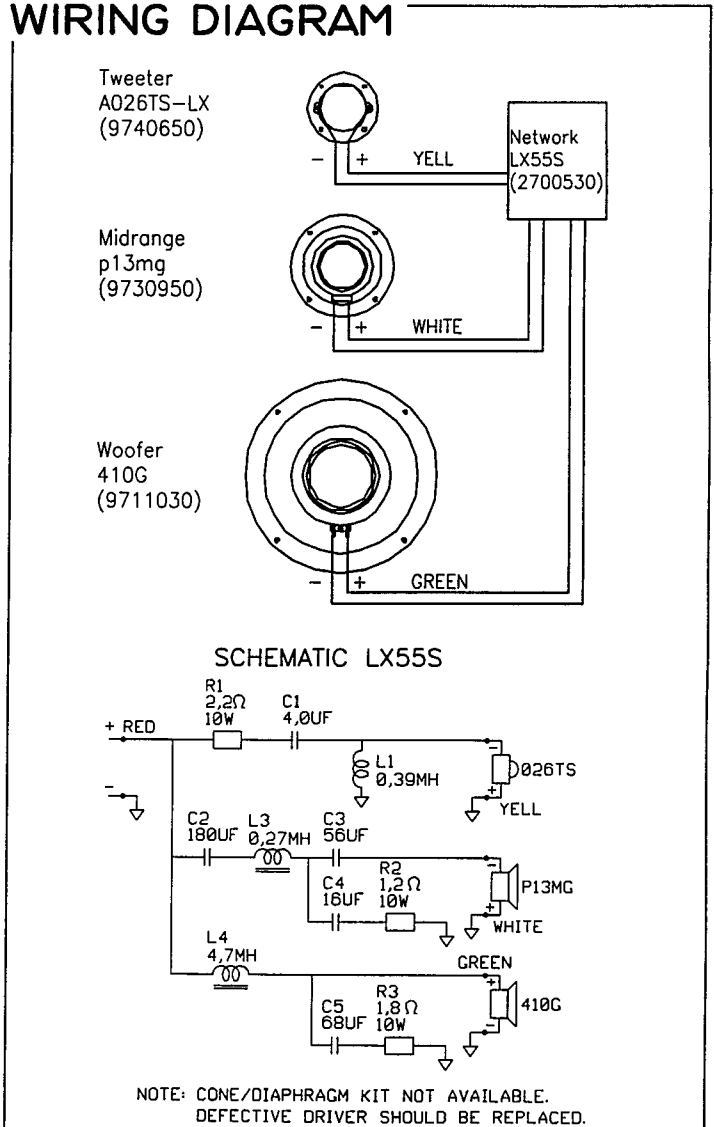
WARRANTY INFORMATION:

- * Refer to the Warranty Statement packed with each product

PACKAGE



WIRING DIAGRAM



LX55S

Valid from serial no. 01001
Rev. 28/5-1996

LX55S

COMPONENT EXPLODED VIEW

