

# JBL LX44



## SPECIFICATIONS

### ACOUSTIC & ELECTRICAL SPECIFICATIONS:

- Nominal Impedance: 8 ohm
- Power Rating: 10W to 150W
- Frequency Response: 45 Hz to 20 kHz
- Sensitivity: 91 dB SPL\*
- Crossover Frequencies: 800 Hz/4 kHz

### SYSTEM COMPONENTS:

- Cabinet: 70517-01 (Blk Ash)  
70517-02 (Walnut)
- Grille: 70518
- Low Frequency Transducer: 203mm (8.0 in.) High Polymer Laminate (408G)

\*1 Watt (2.83 V RMS) @ 1 Meter

### SYSTEM COMPONENTS: (cont'd)

- Mid Frequency Transducer: 127mm (5 in.) High Polymer Laminate (405G)
- High Frequency Transducer: 25mm (1 in.) Pure Titanium Dome (026Ti)
- Crossover Network: 70671

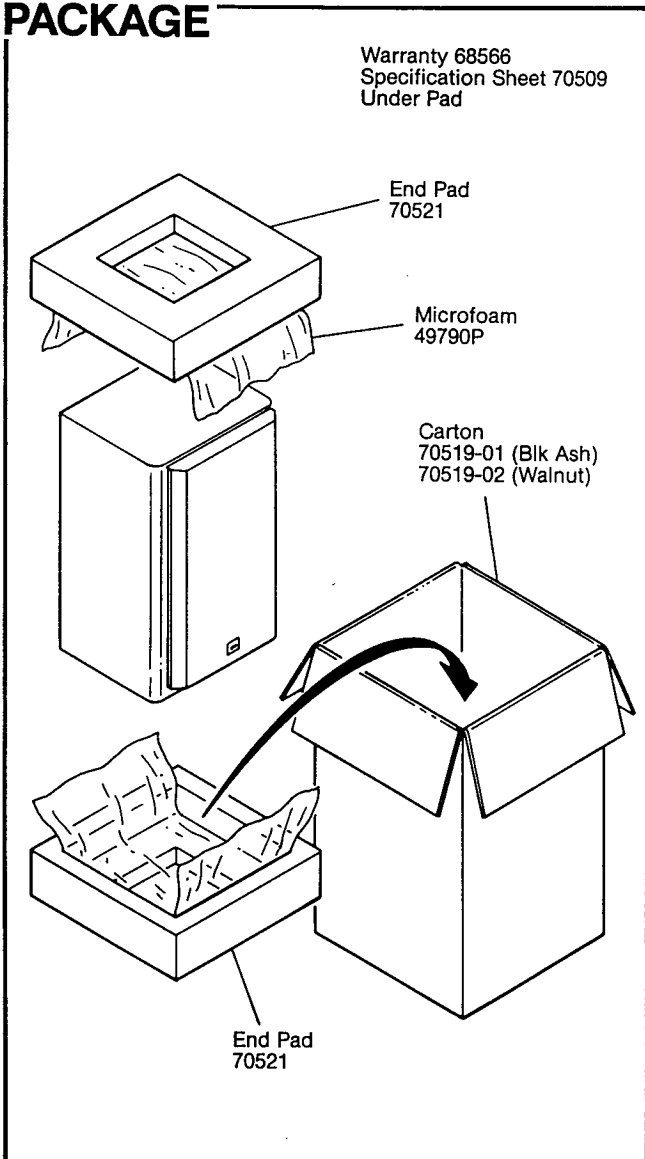
### PHYSICAL SPECIFICATIONS:

- Enclosure Dimensions: 584mm x 298mm x 298mm D (23.5 x 11.75 x 11.75 in. D)
- Shipping Weight: 33 lbs.

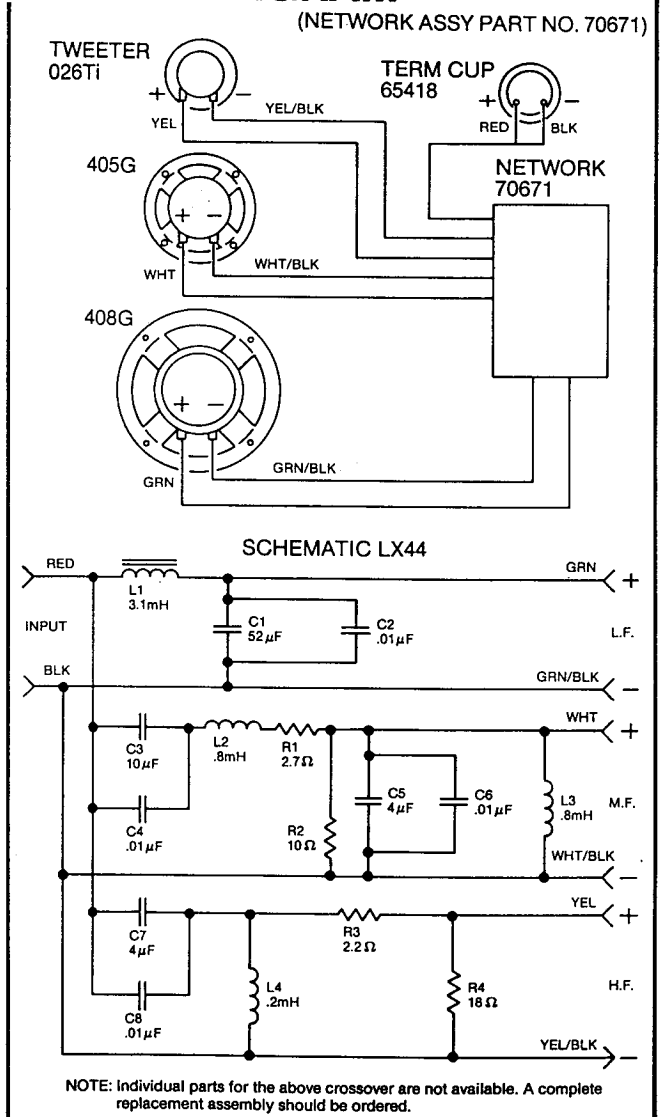
### WARRANTY INFORMATION:

- Refer to the Warranty Statement packed with each product.

## PACKAGE



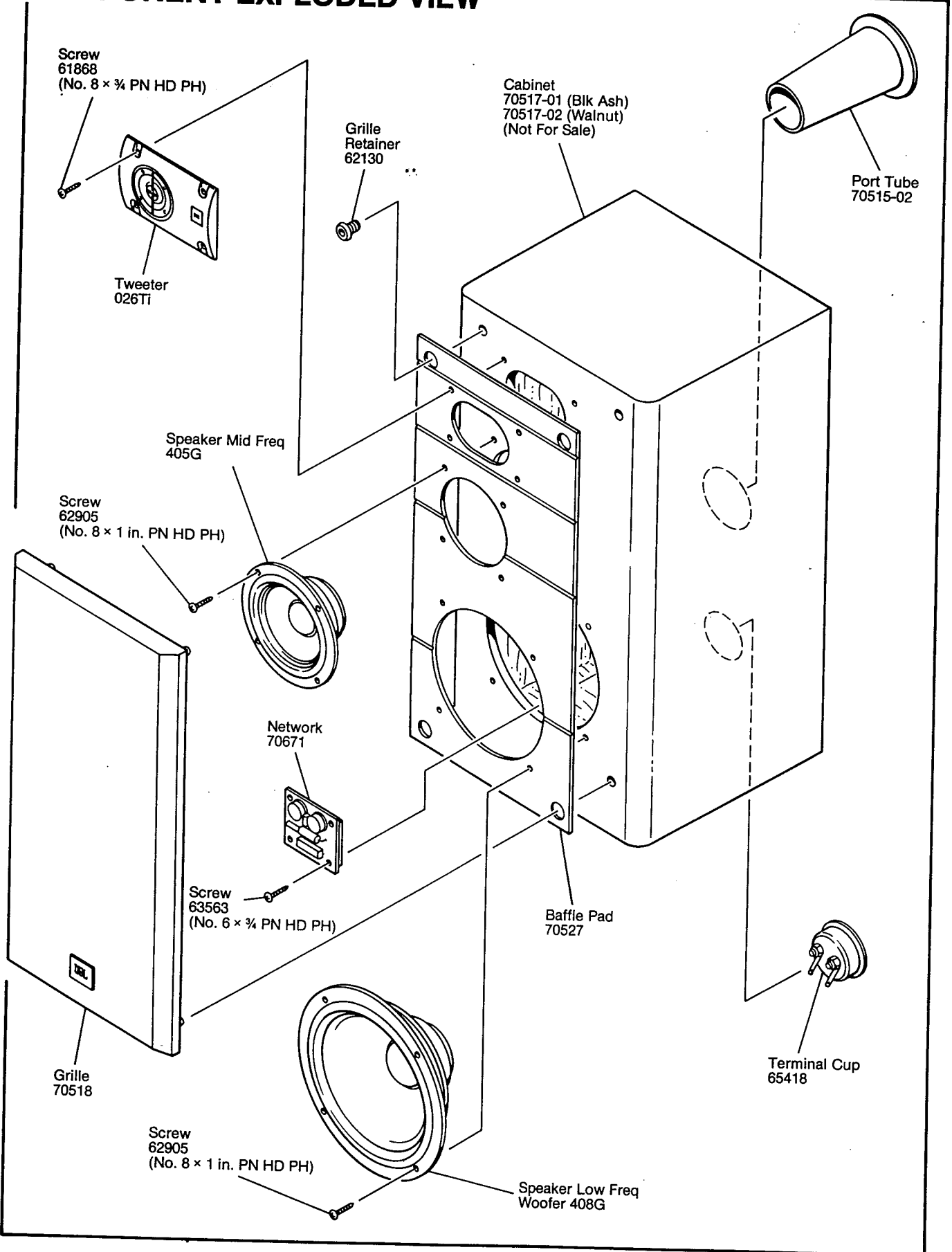
## WIRING DIAGRAM



026Ti	2	2KHZ-20KHZ	3.5-4.2 OHMS
405G	4	20HZ-5KHZ	4.1-4.5 OHMS
408G	4	20HZ-1.2KHZ	5.2-5.7 OHMS

# JBL LX44

## COMPONENT EXPLODED VIEW



JBL