

# JBL LX22



## SPECIFICATIONS

### ACOUSTIC & ELECTRICAL SPECIFICATIONS:

- Nominal Impedance: 8 ohm
- Power Rating: 10W to 125W
- Frequency Response: 50 Hz to 20 kHz
- Sensitivity: 90 dB SPL\*
- Crossover Frequencies: 3 kHz

### SYSTEM COMPONENTS:

- Cabinet: 70504-01 (Blk Ash)  
70504-02 (Walnut)
- Grille: 70505

\*1 Watt (2.83 V RMS) @ 1 Meter

### SYSTEM COMPONENTS: (cont'd)

- Low Frequency Transducer: 165mm (6.5 in.) High Polymer Laminate (406G)
- High Frequency Transducer: 25mm (1 in.) Pure Titanium Dome (026Ti)
- Crossover Network: 70670

### PHYSICAL SPECIFICATIONS:

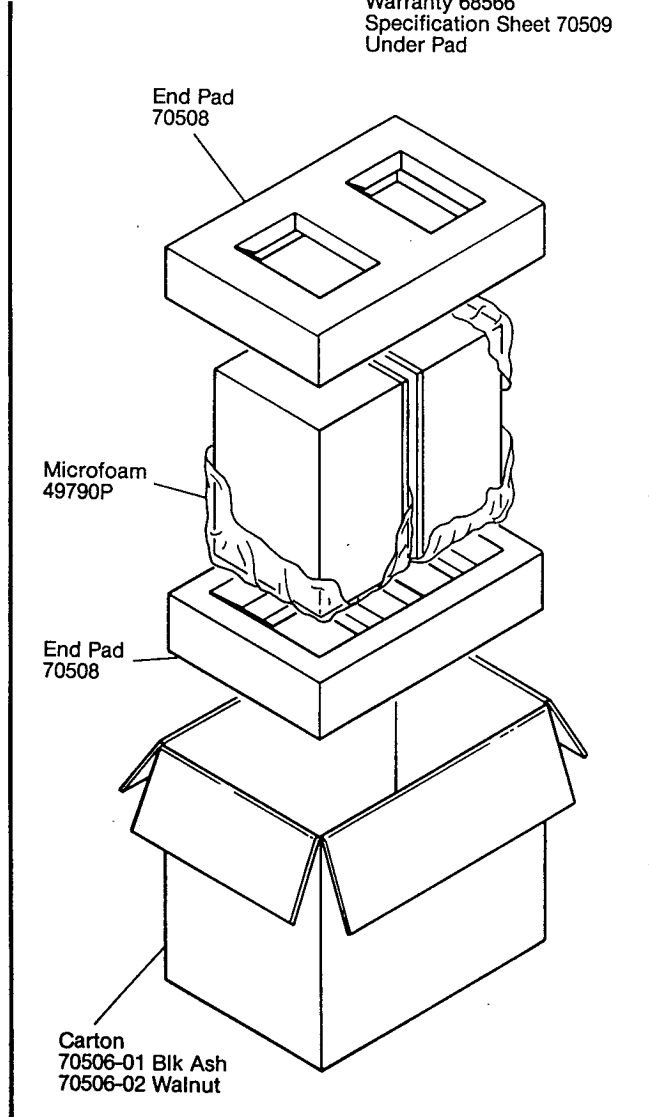
- Enclosure Dimensions: 394mm x 254mm x 219mm D  
(15.75 x 10.0 x 8.75 in. D)
- Shipping Weight: 42 lbs.

### WARRANTY INFORMATION:

- Refer to the Warranty Statement packed with each product.

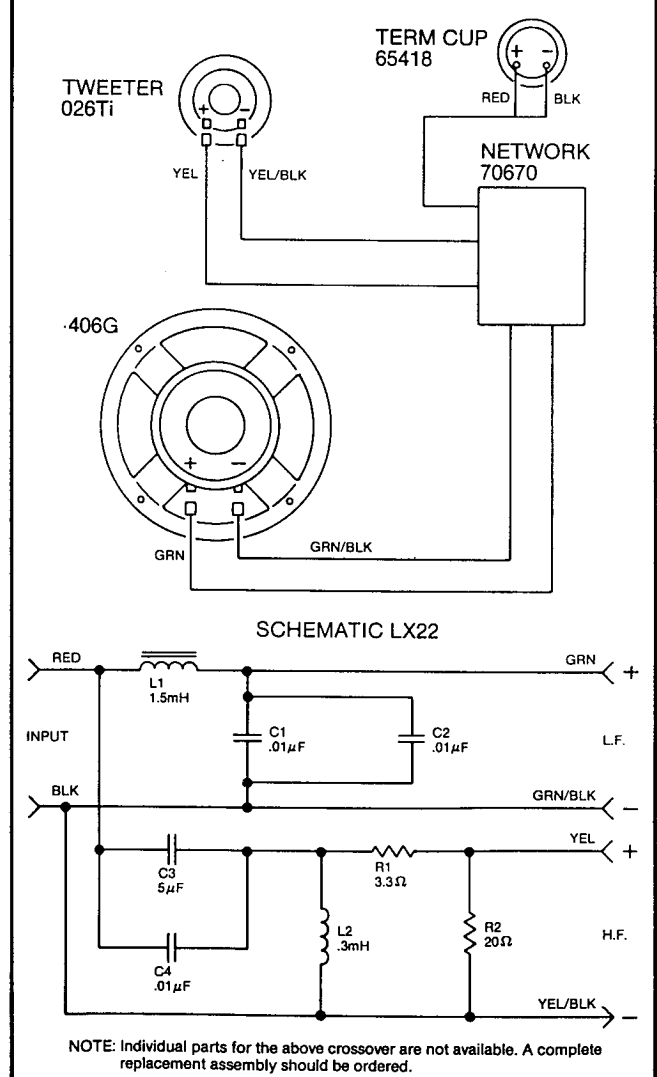
## PACKAGE

Warranty 68566  
Specification Sheet 70509  
Under Pad



## WIRING DIAGRAM

(NETWORK ASSY PART NO. 70670)



JBL LX22 REV A

DRIVER	TEST VOLTAGE	SWEEP FREQUENCY	DCR MIN-MAX.
026Ti	2	2KHZ-20KHZ	3.5-4.2 OHMS
406G	4	20HZ-1.2KHZ	5.1-6.1OHMS

# JBL LX22

## COMPONENT EXPLODED VIEW

