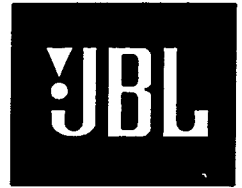


LX1GR REAR



SPECIFICATIONS

ACOUSTIC & ELECTRICAL SPECIFICATIONS:

- * Nominal Impedance: 6 ohm
- * Recommended Amp Power: 30-70W
- * Frequency Response: 100 Hz - 20 kHz
- * Sensitivity: 87 dB / 2,83V / 1 m

SYSTEM COMPONENTS:

- * Cabinet: CLX1GR REAR (Not for sale)
- * Grille: GLX1GR REAR (2402110)
- * Woofer: NJ130-1 C 130mm Woofer
30mm voice coil
- DC Resistance: 4,5 ohm

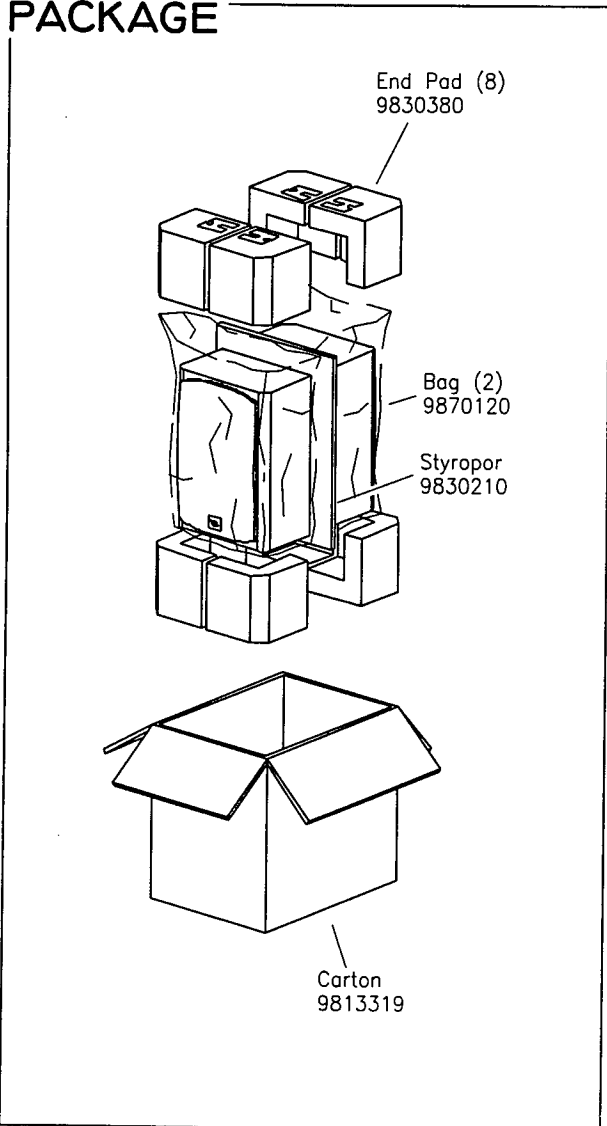
PHYSICAL SPECIFICATIONS:

- * Enclosure Dimensions (H.W.D): 10,2x5,1x7 in. D
(260x130x180mm D)
- * Shipping Weight: 14.3 lbs. (6,5 kg.)

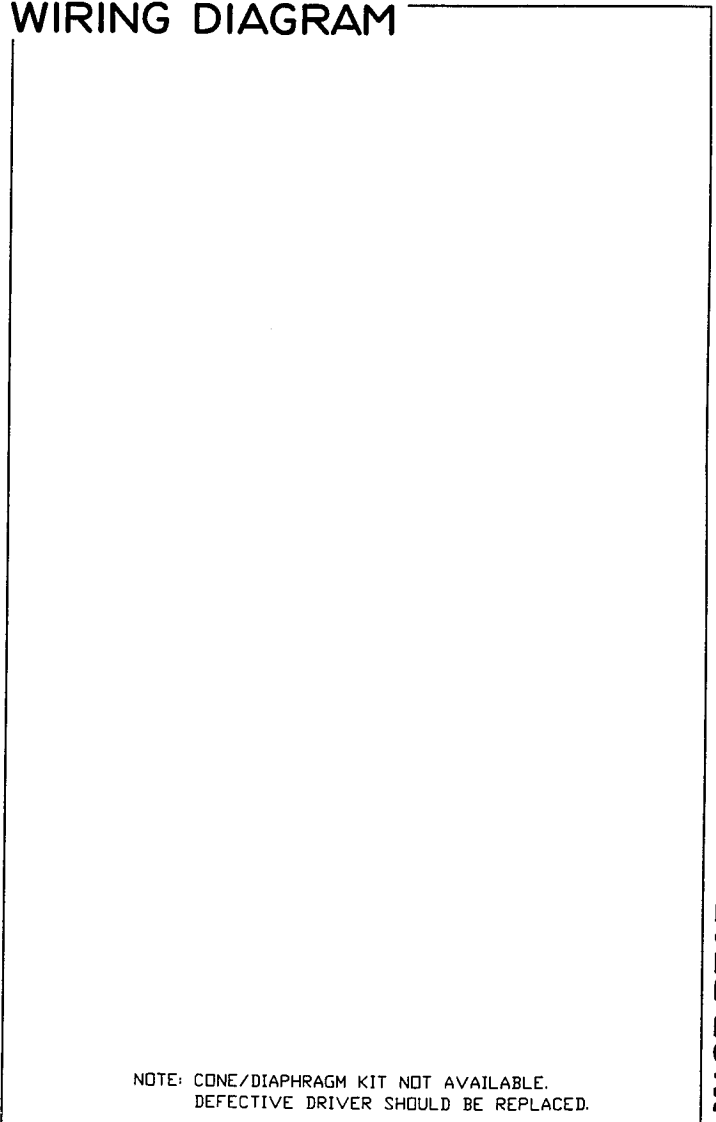
WARRANTY INFORMATION:

- * Refer to the Warranty Statement packed with each product

PACKAGE



WIRING DIAGRAM



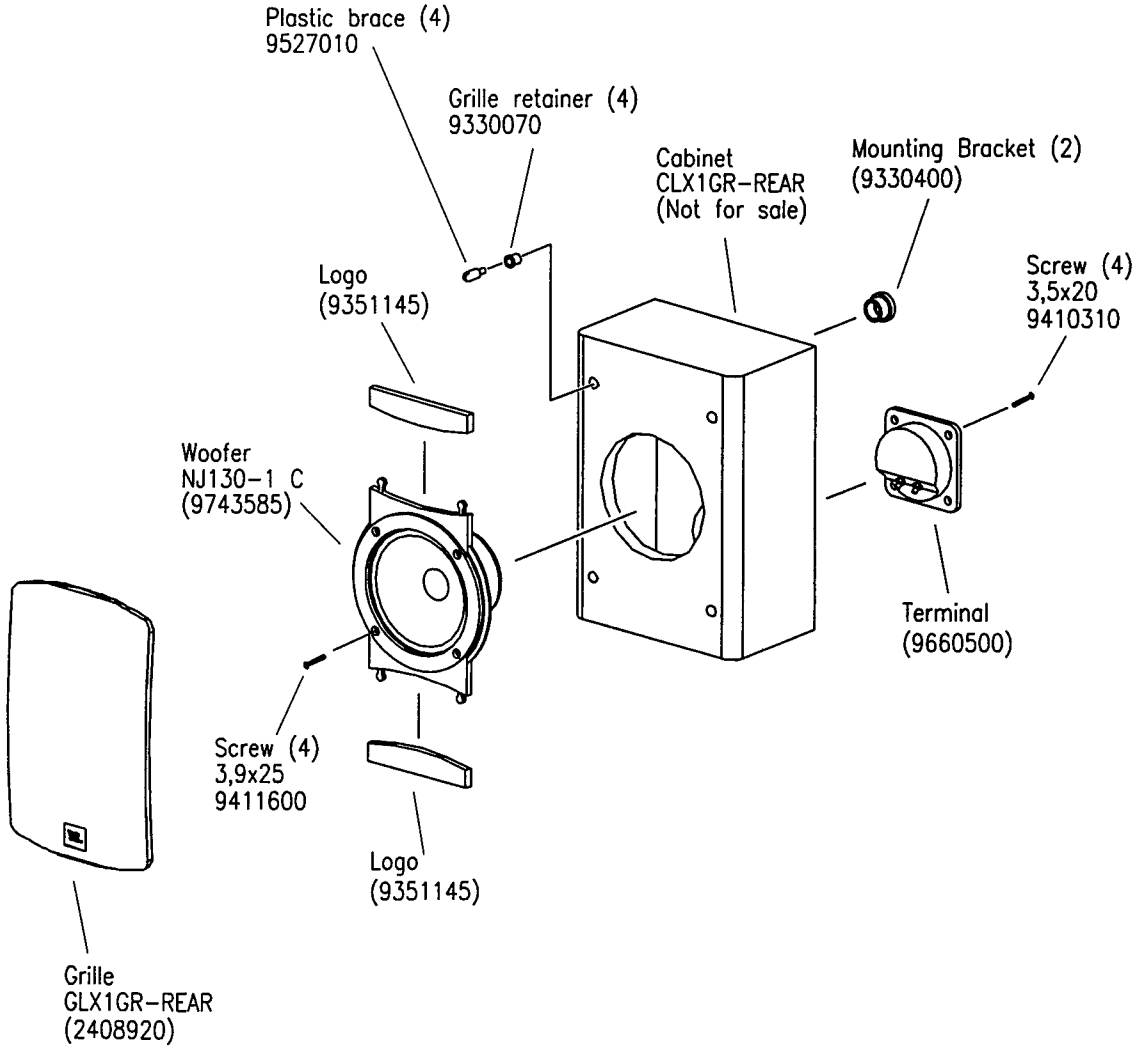
NOTE: CONE/DIAPHRAGM KIT NOT AVAILABLE.
DEFECTIVE DRIVER SHOULD BE REPLACED.

LX1GR REAR

Valid from serial no. 01001 BK
Valid from serial no. 01001 CH
REV. 28/8-1997

LX1GR REAR

COMPONENT EXPLODED VIEW



LX1GR REAR