

# LX10

## SPECIFICATIONS

### ACOUSTIC & ELECTRICAL SPECIFICATIONS:

- Nominal Impedance: 6 ohm
- Recommended Amp Power: 10-300W
- Frequency Response: 40 Hz - 20 kHz (-6dB)
- Sensitivity: 90 dB / 2,83V / 1 m
- Crossover frequency: 600 HZ / 2,5 KHZ

### SYSTEM COMPONENTS:

- Cabinet: CLX10 (Not for sale)
- Grille: GLX10 (2409260)
- Woofer: LX250-10 250mm Woofer  
38mm voice coil
- DC Resistance: 10,4 ohm
- Midrange: LX130-M 130mm Midrange  
30mm voice coil

### SYSTEM COMPONENTS: (cont'd)

- DC Resistance: 4,6 ohm
- Tweeter: LX026T 25mm  
Titanium Dome Tweeter
- DC Resistance: 4,3 ohm
- Crossover Network: NLX9 (2709260)

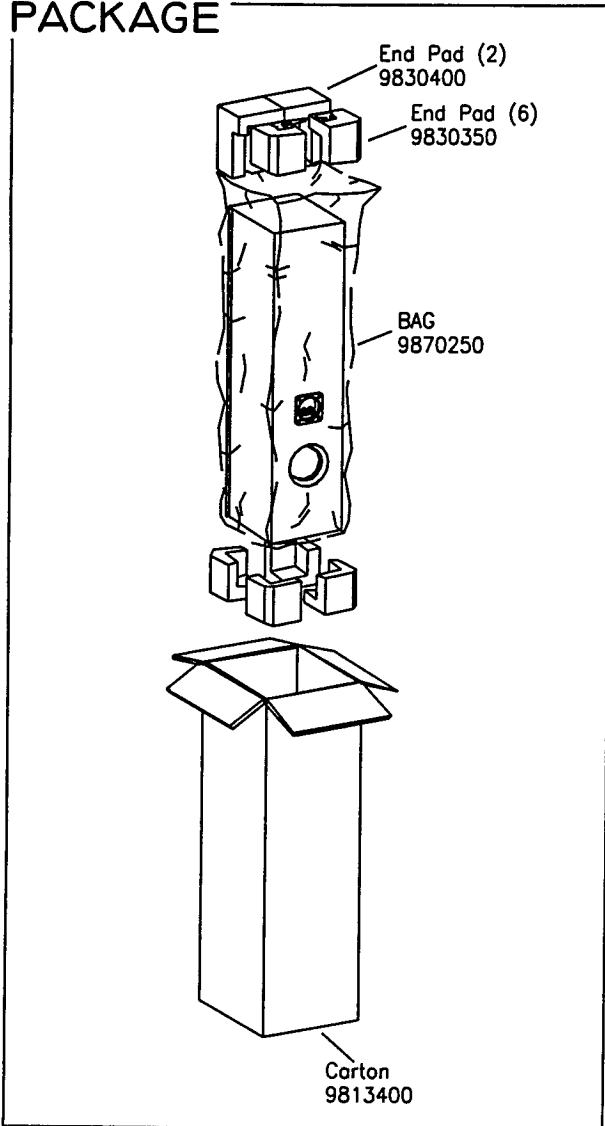
### PHYSICAL SPECIFICATIONS:

- Enclosure Dimensions (H.W.D): 41x10,4x13,4 In. D  
(1160x300x371mm D)
- Shipping Weight: 69,5 lbs. (31,5 kg.)

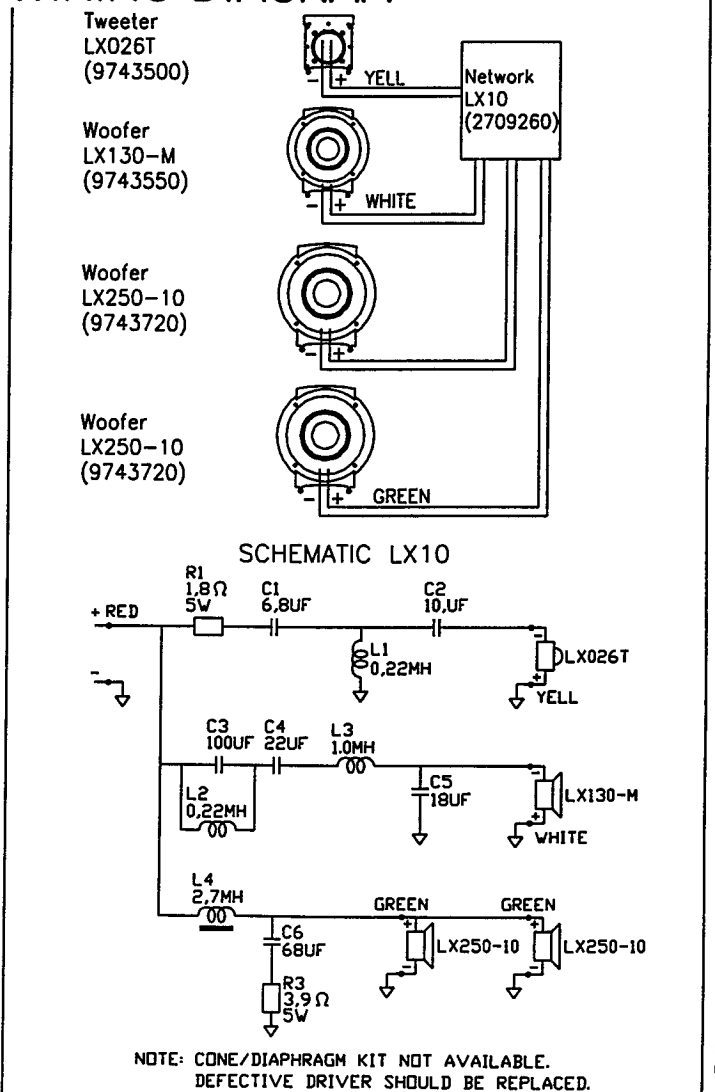
### WARRANTY INFORMATION:

- Refer to the Warranty Statement packed with each product

## PACKAGE



## WIRING DIAGRAM

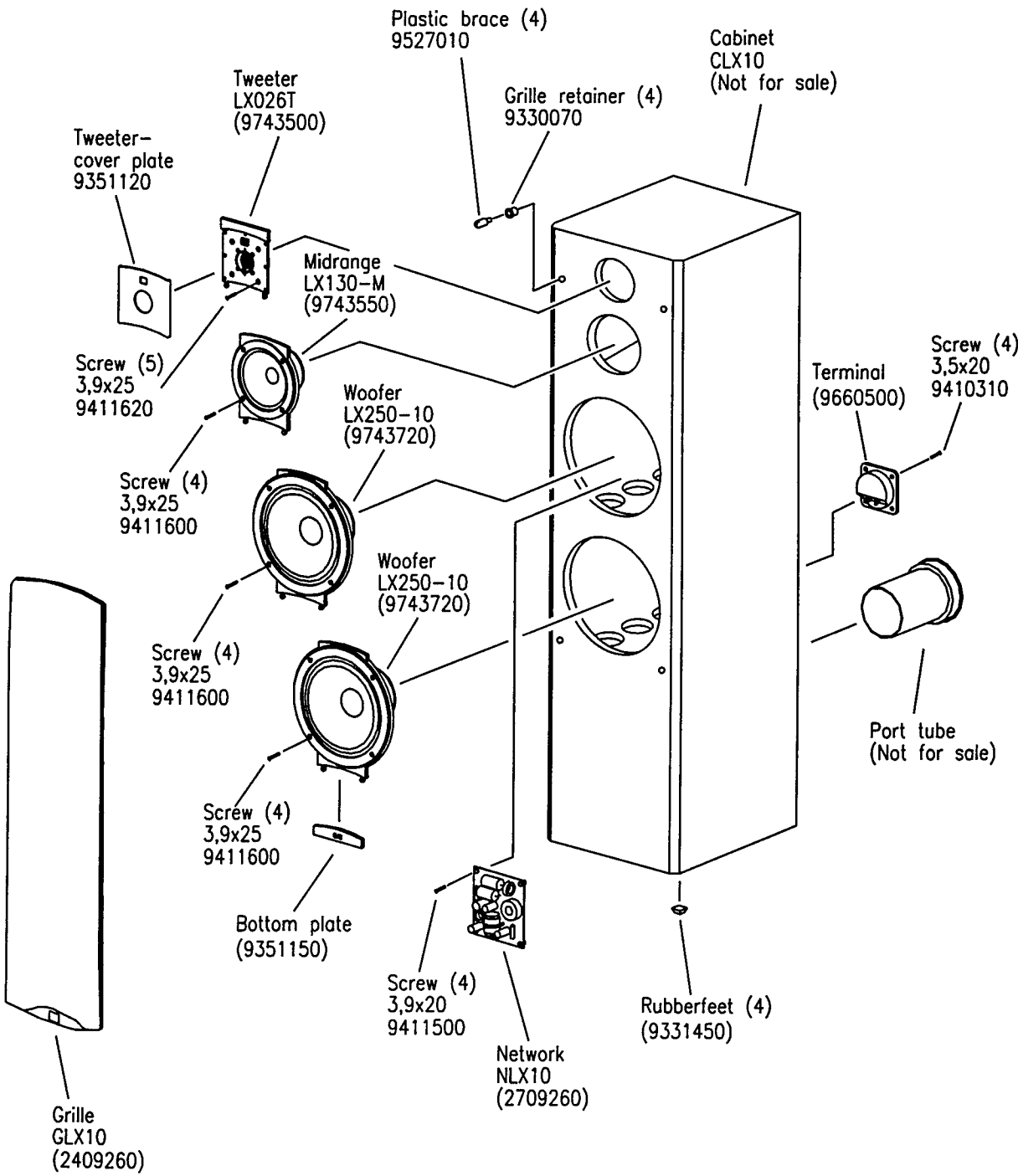


LX10

Valid from serial no. 01001  
Rev. 13/09-1996

# LX10

## COMPONENT EXPLODED VIEW



LX10