

Technical Manual



JBL LE8T-H

SPECIFICATIONS

ACOUSTIC & ELECTRICAL SPECIFICATIONS:

- Nominal Impedance: 8 ohm
- Power Capacity: 50W Continuous Program
- Frequency Range: 35 Hz to 15 kHz
- Sensitivity: 89 dB SPL*
- Crossover Frequencies: N/A

SYSTEM COMPONENTS:

- Cabinet: N/A
- Grille: N/A
- Full Range Transducer: 200mm (8 in.) Cone Transducer (LE8T-H)
- DC Resistance: 5.5 ohm ±10% Aluminum Wire

AURAL SWEEP TEST SPECIFICATIONS:

A. L.F. Aural Sweep Test: 4.0V Input, 20 Hz to 1.2 kHz

PHYSICAL SPECIFICATIONS:

- Enclosure Dimensions: 209mm x 209mm x 89mm D (8.25 x 8.25 x 3.5 in. D)
- Shipping Weight: 8-1/4 lbs. (3.7 kg)

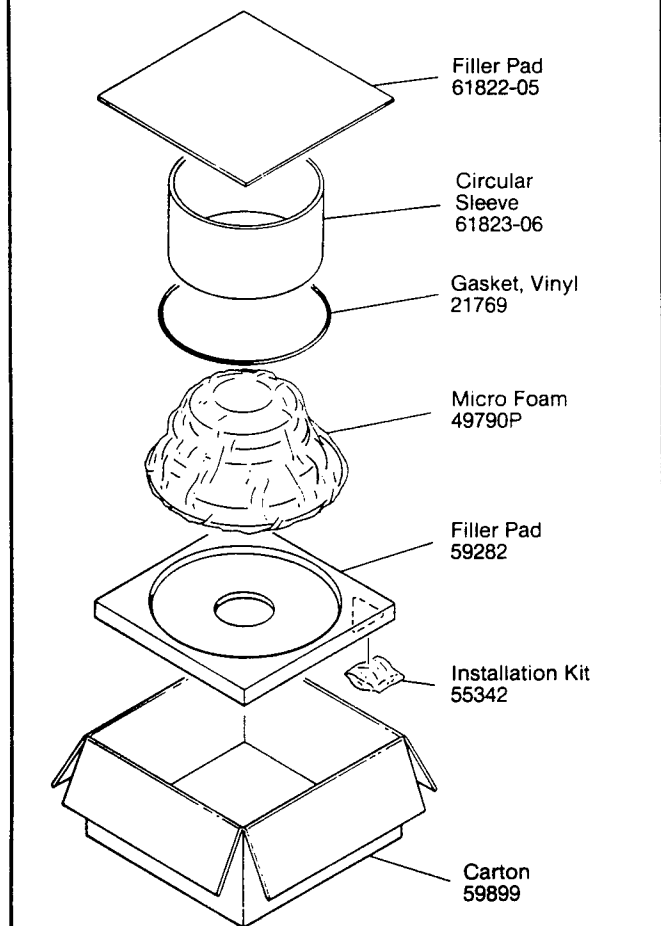
WARRANTY INFORMATION:

- Refer to the Warranty Statement packed with each product.

*1 Watt (2.83 V RMS) @ 1 Meter

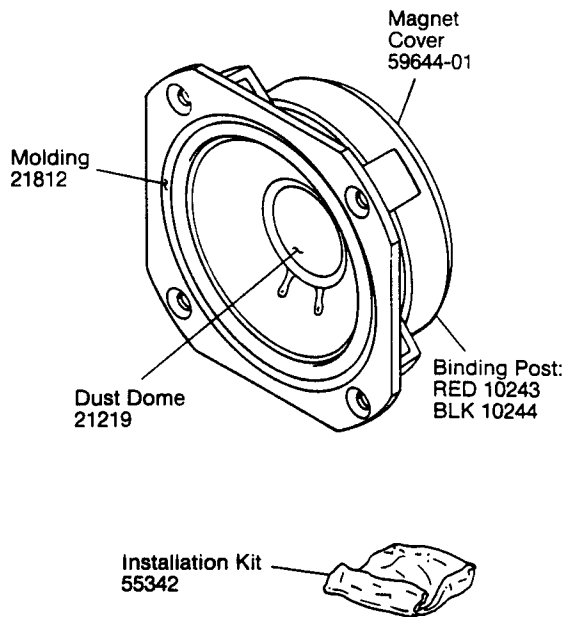
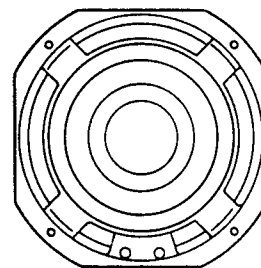
PACKAGE

Warranty 59660
Specification Sheet SS LE8T-H
Under Pad



COMPONENT VIEW

Speaker, Low Freq
LE8T-H
Cone Repl
C8RLE8T

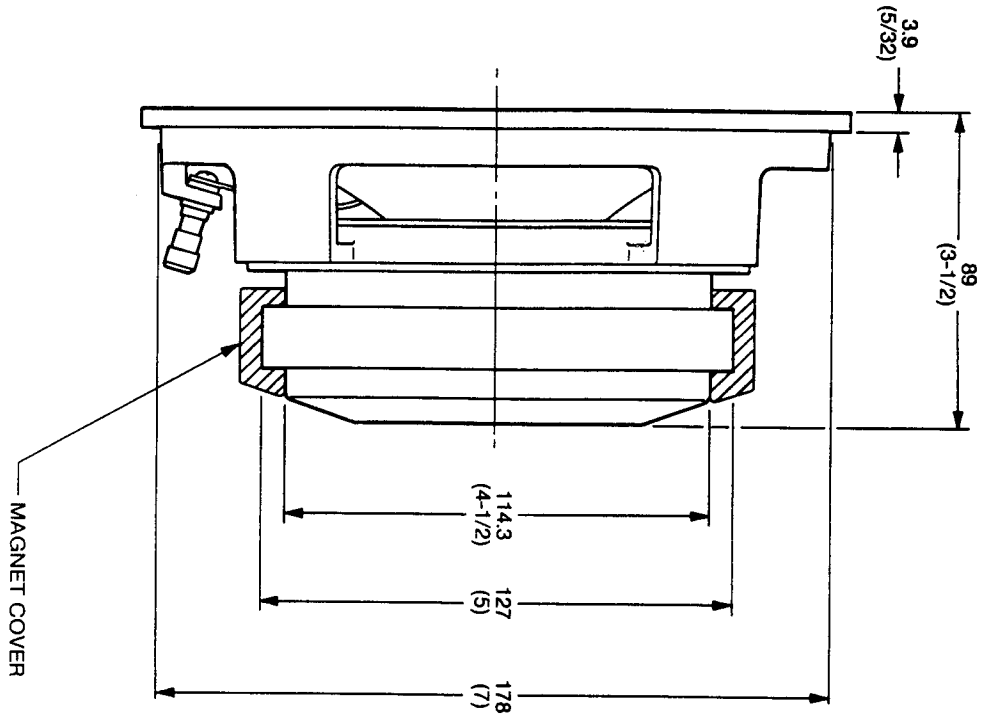


NOTE: POSITIVE VOLTAGE TO BLACK TERMINAL
GIVES FORWARD DIAPHRAGM MOTION

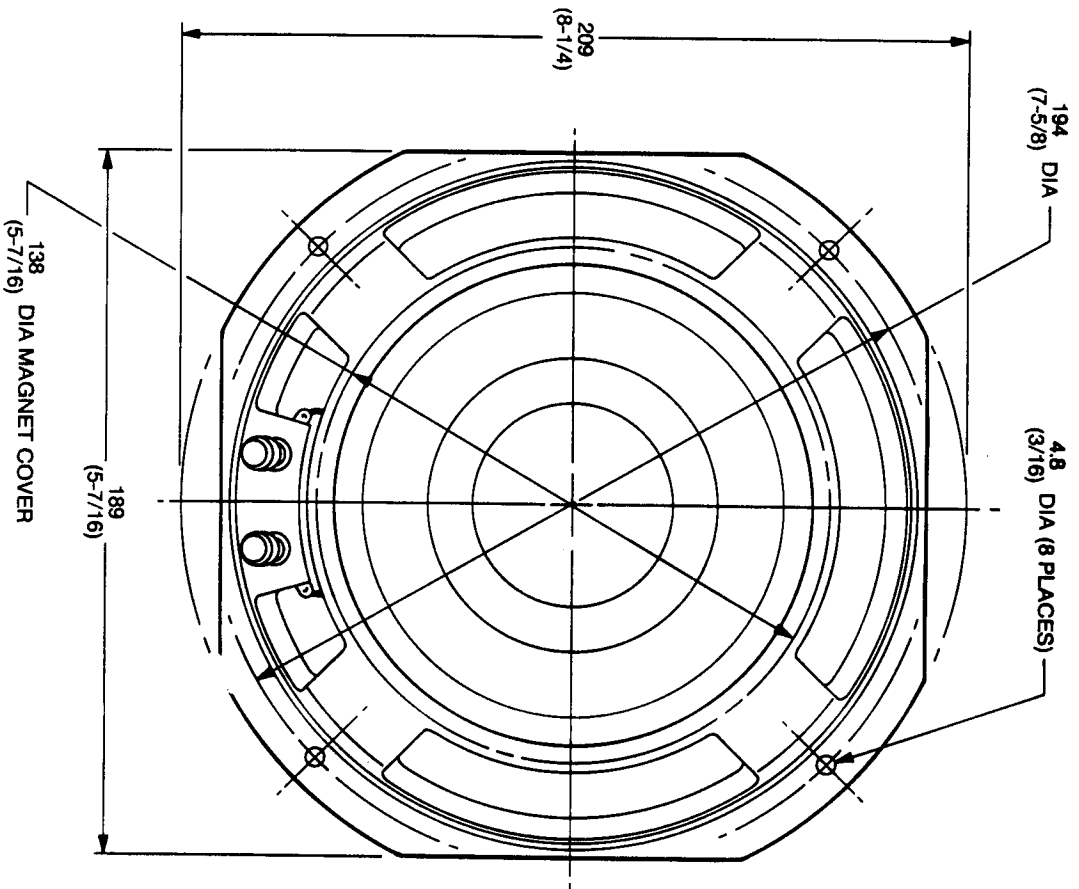
JBL LE8T-H

MECHANICAL DRAWING

THESE DRAWINGS AND SPECIFICATIONS ARE THE PROPERTY OF JBL AND COMPANY, INC. THEY ARE ISSUED IN TRUST TO THE USER AND SHALL NOT BE REPRODUCED, COPIED, OR USED AS THE BASIS FOR MANUFACTURE OR SALE OF APPARATUS WITHOUT WRITTEN PERMISSION.



ALL DIMENSIONS ARE REF. ONLY
NOTE: DIMENSIONS IN () ARE IN INCHES



JBL LE8T-H